

PRODUCT CATALOG

Landscape & Architectural Lighting



Table of CONTENTS

Introduction	3	ACCENT LIGHTS		PATH LIGHTS	
Our Latest Innovations	5	CA-51 Accent Light	31	AL Directional Path Light	64
Collections	7	CC Petite Accent Light	35	CA Path Light	52
Accent Lights	23	C-UL Petite Accent Light	35	CA-A Path Light	53
Wall Washes	37	EA-51 Accent Light	26	CP-L4 Petite Path Light	56
Path Lights	49	FB Petite Accent Light	29	CP-L7 Path Light	56
Ledge Lights	69	FR Petite Accent Light	33	DL Path Light	52
In-Grades	75	LO Accent Light	32	DL-A Path Light	53
Surface-Mounted Wall Lights	85	LR Accent Light	34	DM Path Light	52
Recessed Wall Lights	89	MP Petite Accent Light	27	DM-A Path Light	53
Directional Down Lights	101	MR Petite Accent Light	34	DP Mini Path Light	51
Pendants	111	MU Accent Light	28	DR Path Light	68
Surface-Mounted Down Lights	117	NP Accent Light	29	DS Path Light	68
Recessed Down Lights	121	NR Accent Light	33	EP-31 Petite Path Light	55
Wall Sconces	125	QZ Mini Accent Light	27	FG Directional Path Light	63
Underwater Lights	133	RS Accent Light	25	GN Grande Path Light	67
Task Lights	139	VS Accent Light	35	HC Petite Path Light	51
Line Voltage Fixtures	143	XA-70 Grande Accent Light	30	JS Path Light	52
Lamps	151	WALL WASHES		MP-30 Path Light	58
Luxor® Control	157	CW-31 Petite Wall Wash	44	MP-31 Path Light	58
Transformers & Controllers	167	CW-51 Wall Wash	43	MP-40 Path Light	58
Technical Data	173	EW-31 Petite Wall Wash	46	MP-J Path Light	60
Tools & Services	181	LC Wall Wash	39	MP-K Path Light	59
Accessories and Parts	193	PB Wall Wash	39	MP-Z Path Light	59
Notes	203	QB Mini Wall Wash	42	PF Petite Path Light	51
Warranty and Product Returns	205	RL Wall Wash	47	PL Path Light	54
		RW Wall Wash	48	PM Mini Bollard	57
		VW-31 Petite Wall Wash	42	PP-36 Directional Path Light	66
		WS Wall Wash	45	RP-32 Path Light	61
		XW-70 Grande Wall Wash	40	RP-33 Path Light	61
				RP-34 Path Light	62
				RP-35 Path Light	62
				RW Directional Path Light	65
				SC Petite Path Light	51
				SP Petite Path Light	51
				SP-A Petite Path Light	53
				TD Directional Path Light	63
				TM Path Light	54

LEDGE LIGHTS

CL-L Ledge Light	72
LD Petite Ledge Light	71
LF Ledge Light	71
SRP Strip Light	73
SRP RGBW Strip Light	74

IN-GRADES AND WELL LIGHTS

CF Well Light	80
CN-51 In-Grade	78
FC In-Grade	81
HP-48 Paver Light	83
KG Well Light	80
RP Grande In-Grade	82
TE Well Light	80
VO In-Grade/Wall Light	77
XN-70 Grande In-Grade	79

SURFACE-MOUNTED WALL LIGHTS

MM Surface-Mounted Wall Light	88
MS Surface-Mounted Wall Light	88
SF Surface-Mounted Wall Light	87

RECESSED WALL LIGHTS

CN-51 In-Grade	91
CP Recessed Wall Light	99
HS Recessed Wall Light	98
LM Recessed Wall Light	99
MO Recessed Wall Light	92
PD Recessed Wall Light	100
PO Recessed Wall Light	92
RH Recessed Wall Light	95
SL-3 Recessed Wall Light	97
SL-5 Recessed Wall Light	97
UN Recessed Wall Light	100
VK Vertical Recessed Wall Light	96
VO In-Grade/Wall Light	93

DIRECTIONAL DOWN LIGHTS

CA-51 Accent Light	107
DE Directional Down Light	104
JB Directional Down Light	104
MD Directional Down Light	108
QT Mini Directional Down Light	103
RW Directional Down Light	110
TS Directional Down Light	109
XA-70 Grande Accent Light	105

PENDANTS

LE Petite Hanging Pendant	113
PS-HB Hanging Pendant	115
VE Hanging Pendant	114

SURFACE-MOUNTED DOWN LIGHTS

PS Surface-Mounted Down Light	119
ZC Surface-Mounted Down Light	120

RECESSED DOWN LIGHTS

RC Recessed Down Light	124
VC Mini Recessed Down Light	123

WALL SCONCES

NL-DN Wall Sconce	127
NL-UD Wall Sconce	128
QL Wall Sconce	131
SD Wall Sconce	129
ZW Wall Sconce	130

UNDERWATER LIGHTS

LB Underwater Accent Light	137
LL Underwater Accent Light	136
LP Underwater Puck Light	135

TASK LIGHTS

BQ Barbecue Light	141
-------------------	-----

LINE-VOLTAGE FIXTURES

A-BR10 Commercial Bollard	149
A-CT4 Directional Accent Light	145
A-CT5 Directional Accent Light	145
A-HS Recessed Wall Light	147
A-KN Grande In-Grade	150
A-NK4 Recessed Wall Light	148
A-NK6 Recessed Wall Light	148
A-ST5 Grande Wall Sconce	146

LAMPS

AR-11 Eco LED Lamp	155
G4 Eco LED Lamp	154
MR-11 Eco LED Lamp	155
MR-16 LED Lamp	153
MR-16 Eco LED Lamp	153
MR-16 ZD LED Lamp	153
PAR-36 Eco LED Lamp	155

LUXOR® CONTROL

Luxor Controller	159
Luxor Satellite Controller	159

TRANSFORMERS & CONTROLLERS

DX Controller	171
EX Transformer	169
PX Transformer	170

FX LUMINAIRE SOLUTIONS

Creating the Ultimate Outdoor Lighting Experience

Elevate any outdoor space with industry-leading FX Luminaire solutions! For more than 35 years, we've produced world-class lighting systems that include a full spectrum of energy-efficient fixtures, accessories, and lamps as well as best-in-class transformers and controllers. Our deep commitment to innovation has spurred us to develop advanced LED lighting technologies that deliver precise digital control with zoning, dimming, and color capabilities. When creating the ultimate outdoor lighting experience, our landscape and architectural lighting offerings provide endless opportunities.





OUR LATEST INNOVATIONS

Pushing the Boundaries of Lighting Design



At FX Luminaire, we continually seek ways to expand the boundaries of what's possible with new technologies and innovative offerings.

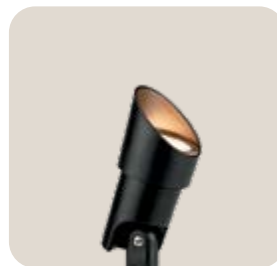
The high-output, low-voltage Exa™ Collection delivers light outputs up to 1,200 lm while our durable, corrosion-resistant Cora™ Collection is designed to outlast any landscape. Made with recycled composite materials, the environmentally friendly Evo™ Collection holds up in harsh climates without sacrificing on lighting design or lumen output. For path lights that strike the perfect balance between powerful performance and high-end design, the Modern™ Collection offers impressive results in a compact package.



EXACOLLECTION



CORACOLLECTION



EVOCOLLECTION



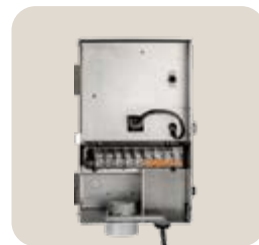
MODERNCOLLECTION



The intuitive Low-Voltage Dimmer features a simple, press-button design that makes it incredibly easy to add precise dimming control to any project. We also extended our popular PX Transformers with the stainless steel PX-150-SS model — the industry’s only commercial-grade, 150 W transformer with both a UL 1838 safety rating and a pool and spa UL 379 certification.



LOW-VOLTAGE DIMMER



PX-150-SS TRANSFORMER



EXA
COLLECTION



CORA
COLLECTION



EVO
COLLECTION



MODERN
COLLECTION



LOW-VOLTAGE
DIMMER



PX-150-SS
TRANSFORMER

Introducing
FX LUMINAIRE COLLECTIONS
Simplifying the Fixture Decision-Making Process



CORA™ COLLECTION

DESIGNER™ COLLECTION



EXA™ COLLECTION

MODERN™ COLLECTION



VANTAGE™ COLLECTION

RUNA™ COLLECTION

It's easy to select the ideal fixtures with FX Luminaire Collections! Carefully curated offerings provide clear choices that align with the specific control options, design aesthetics, applications, and budget for any project.



STELLA™ COLLECTION

PINNACLE™ COLLECTION



EVO™ COLLECTION

GARDEN™ COLLECTION



TERRA™ COLLECTION

APEX™ COLLECTION

New FX Luminaire Fixture Naming Guide

Collection:

- D** = Designer™ Collection (page 9)
- V** = Vantage™ Collection (page 10)
- M** = Modern™ Collection (page 11)
- C** = Cora™ Collection (page 12)
- T** = Terra™ Collection (page 13)
- R** = Runa™ Collection (page 14)
- P** = Pinnacle™ Collection (page 15)
- S** = Stella™ Collection (page 16)
- X** = Exa™ Collection (page 17)
- E** = Evo™ Collection (page 18)
- G** = Garden™ Collection (page 19)
- A** = Apex™ Collection (page 20)



XX

Fixture Type:

- A** = Accent Light
- B** = Bollard
- D** = Down Light
- G** = Ground Wash
- H** = Hanging Pendant
- L** = Ledge or Linear Light
- M** = Marker Light
- N** = In-Grade
- P** = Path Light
- R** = Recessed Wall Light
- S** = Sconce or Surface-Mounted
- T** = Task Light
- U** = Underwater Light
- W** = Wall Wash

Size:

1 = Micro

2 = Mini

3 = Petite

4 = Midsize (smaller)

5 = Midsize (larger)

6 = Midsize (largest)

7 = Grande (smaller)

8 = Grande (larger)

9 = Mega (largest)

Light Source/Style:

Even # = PowerBoard® Integrated LED
(Luxor® compatible)

Odd # = Standard Lamps



Example:

CW-51

Cora Collection | **Wall Wash** | **Midsize** | **Standard Lamp**

NOTE: The implementation of this new naming convention will occur as new products are added to the product line or existing products are updated.

DESIGNER™ COLLECTION



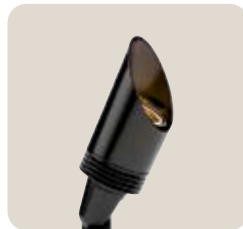
Offering unparalleled control with Luxor® Technology, this collection enables zoning, dimming, and color capabilities for creating distinct designs.



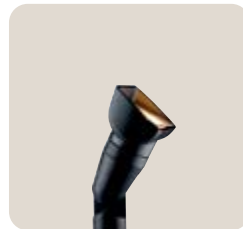
Designer **QZ**
Mini Accent Light



Designer **FB**
Petite Accent Light



Designer **NP**
Accent Light



Designer **QB**
Mini Wall Wash



Designer **PB**
Wall Wash



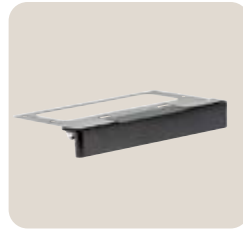
Designer **LC**
Wall Wash



Designer **TM**
Path Light



Designer **PL**
Petite Path Light



Designer **LF**
Ledge Light



Designer **QT**
Mini Directional
Down Light



Designer **JB**
Directional
Down Light



Designer **DE**
Directional
Down Light



Modern **SF**
Surface-Mounted
Wall Light



Designer **RC**
Recessed Down
Light

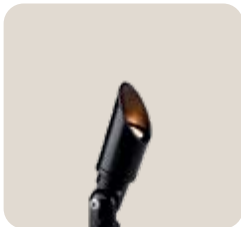


Designer **VC**
Mini Recessed
Down Light

VANTAGE™ COLLECTION



Ideal for everyday projects, these classic aluminum fixtures offer multiple powder-coated color options for design flexibility.



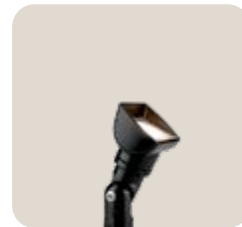
Vantage **MP**
Petite Accent
Light



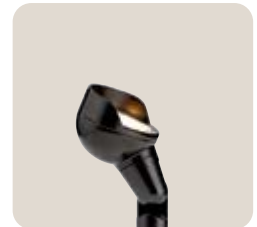
Vantage **RS**
Accent Light



Vantage **MU**
Accent Light



Vantage **VW-31**
Petite Wall Wash



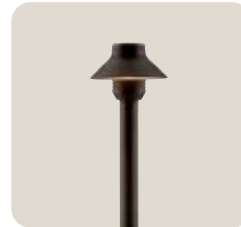
Vantage **WS**
Wall Wash



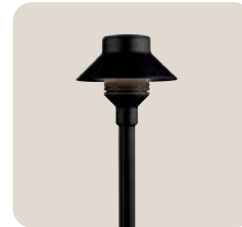
Vantage **MD**
Directional Down
Light



Vantage **LD**
Petite Ledge
Light



Vantage **SP-A**
Petite Path Light



Vantage **TM**
Path Light



Vantage **PL**
Path Light



Vantage **DL-A**
Path Light



Vantage **CA-A**
Path Light



Vantage **DM-A**
Path Light

MODERN™ COLLECTION



Featuring lamped and integrated options plus Luxor® Technology compatibility, these angular fixtures are the go-to solution for contemporary lighting.



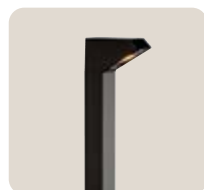
Modern **MP-30/31**
Path Lights



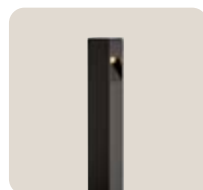
Modern **MP-40**
Path Light



Modern **MP-J**
Path Light



Modern **MP-K**
Path Light



Modern **MP-Z**
Path Light



Modern **VK**
Vertical Recessed
Wall Light



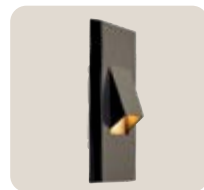
Modern **RH**
Recessed Wall
Light



Modern **SL-3**
Recessed Wall
Light (Beveled)



Modern **SL-3**
Recessed Wall
Light (Round)



Modern **SL-3**
Recessed Wall
Light (Flat)



Modern **SL-3**
Recessed Wall
Light (Curved)



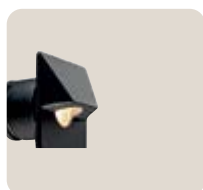
Modern **SL-5**
Recessed Wall
Light (Curved)



Modern **SL-5**
Recessed
Wall Light (Flat)



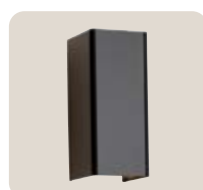
Modern **PO/MO**
Recessed Wall
Lights (Wall Wash)



Modern **PO/MO**
Recessed Wall
Lights (Square)



Modern **NL-DN**
Wall Sconce



Modern **NL-UD**
Wall Sconce



Modern **QL**
Wall Sconce



Modern **HS**
Recessed Wall
Light



Modern **HP-48**
Paver Light



Modern **SRP,**
SRP RGBW
Strip Lights

CORA™ COLLECTION



Combining contemporary design with strong corrosion resistance, these select brass fixtures are especially well-suited for humid environments.



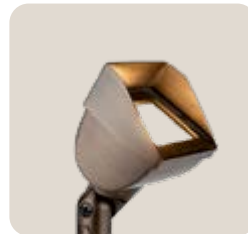
Cora **CA-51**
Accent Light



Cora **CA-51**
Directional Down
Light



Cora **CW-31**
Petite Wall Wash



Cora **CW-51**
Wall Wash



Cora **CL-L**
Ledge Light



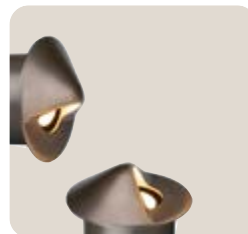
Cora **CP-L4**
Petite Path Light



Cora **CP-L7**
Path Light



Cora **CN-51**
In-Grade or
Recessed Wall
Light (Ring)



Cora **CN-51**
In-Grade or
Recessed Wall
Light (Round)



Cora **CN-51**
In-Grade or
Recessed Wall
Light (Cowling)

TERRA™ COLLECTION



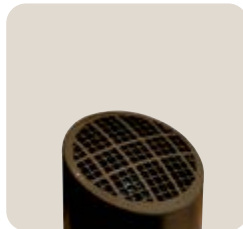
Featuring a wide array of materials, styles, and configurations, these rugged in-grades are ideal for high-traffic areas, hardscapes, and turf.



Terra **KG/TE/CF**
Well Lights (Flat)



Terra **KG/TE/CF**
Well Lights
(Angled)



Terra **CF**
Well Light (Grid)



Terra **KG**
Well Light (Grid)



Terra **FC**
Ground Wash (90°,
180°, 270°, 360°)



Terra **RP**
Grande In-Grade
(Ring)



Terra **RP**
Grande In-Grade
(Louver)



Terra **RP**
Grande In-Grade
(Cowling)



Terra **FC**
In-Grade (Ring)



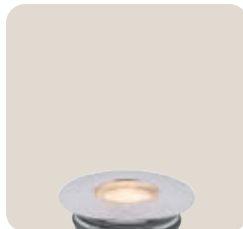
Terra **FC**
In-Grade (Louver)



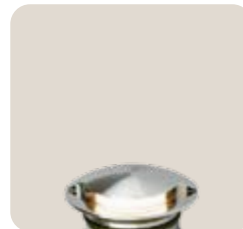
Terra **FC**
In-Grade (Cowling)



Terra **VO**
In-Grade (Round)



Terra **VO**
In-Grade (Spot)



Terra **VO**
Ground Wash

RUNA™ COLLECTION



Premium metals combine style with durability in these sleek, rounded fixtures that offer lamped and integrated options.



Runa **RP-32/33**
Path Lights



Runa **RP-34/35**
Path Lights



Runa **PM**
Mini Bollard



Runa **RW**
Directional
Path Light



Runa **RW**
Wall Wash



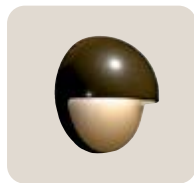
Runa **BQ**
Barbecue Light



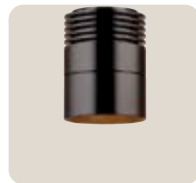
Runa **PO/MO**
Recessed Wall
Lights (Ring)



Runa **PO/MO**
Recessed Wall
Lights (Spot)



Runa **MM/MS**
Surface-Mounted
Wall Lights



Runa **PS**
Surface-Mounted
Down Light



Runa **SD**
Wall Sconce



Runa **PS-HB**
Hanging
Pendant



Runa **ZC**
Surface-Mounted
Down Light



Runa **ZW-DN**
Wall Sconce



Runa **ZW-UD**
Wall Sconce



Runa **LE**
Petite Hanging
Pendant



Runa **VE**
Hanging
Pendant



Runa **VE-PS**
Hanging
Pendant

PINNACLE™ COLLECTION



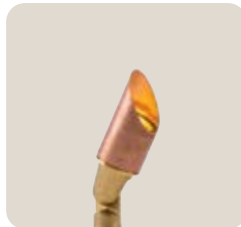
Combining premium materials with ZDC Technology®, this stunning lineup offers zoning, dimming, and color capabilities.



Pinnacle **CC**
Petite Accent
Light



Pinnacle **VS**
Accent Light



Pinnacle **FR**
Petite Accent
Light



Pinnacle **NR**
Accent Light



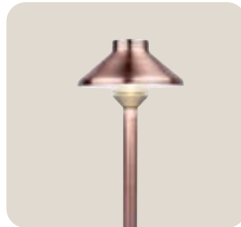
Pinnacle **PA-36**
Directional Accent
Light



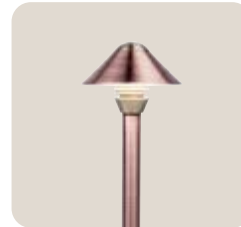
Pinnacle **PP-36**
Directional Path
Light



Pinnacle **HC**
Petite Path Light



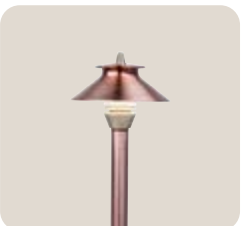
Pinnacle **JS**
Path Light



Pinnacle **SC**
Petite Path Light



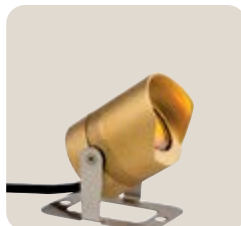
Pinnacle **CA**
Path Light



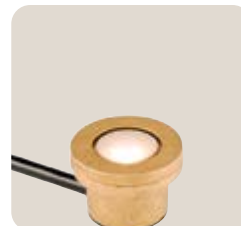
Pinnacle **PF**
Petite Path Light



Pinnacle **DM**
Path Light



Pinnacle **LL**
Underwater
Accent Light



Pinnacle **LP**
Underwater
Puck Light

STELLA™ COLLECTION



Made of durable copper and brass, these premium fixtures strike the balance between affordability and timeless design.



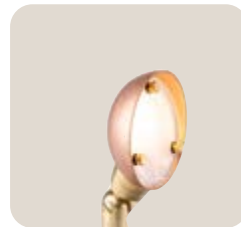
Stella **MR**
Petite Accent
Light



Stella **LR**
Accent Light



Stella **LO**
Accent Light



Stella **RL**
Wall Wash



Stella **TS**
Directional Down
Light



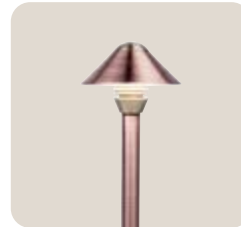
Stella **DP**
Mini Path Light



Stella **SP**
Petite Path Light



Stella **DL**
Path Light



Stella **SC**
Path Light



Stella **CA**
Path Light



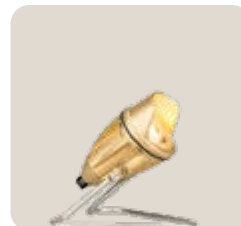
Stella **PF**
Petite Path Light



Stella **DM**
Path Light



Stella **GN**
Grande Path Light



Stella **LB**
Underwater
Accent Light

EXA™ COLLECTION



With twice the output of our current offerings, these low-voltage fixtures combine outputs up to 1,200 lm with top-tier integrated LED technology.



Exa **XA-70**
Grande Accent Light



Exa **XW-70**
Grande Wall Wash



Exa **XN-70**
Grande In-Grade

EVO™ COLLECTION



Made with composite materials, including recycled plastic water bottles, this environmentally friendly lineup holds up well in harsh climates.



Evo **EA-51**
Accent Light



Evo **EW-31**
Petite Wall Wash



Evo **EP-31**
Petite Path Light

COMPOSITE MATERIAL INCLUDES RECYCLED WATER BOTTLES



GARDEN™ COLLECTION



Crafted from premium materials for increased durability and elegance, this lineup features classic fixtures that have reigned as fan favorites for decades.



Garden **AL**
Directional
Path Light



Garden **TD**
Directional
Path Light



Garden **FG**
Directional
Path Light



Garden **DR**
Path Light



Garden **DS**
Path Light



Garden **UN**
Recessed Wall
Light



Garden **PD**
Recessed Wall
Light



Garden **CP**
Recessed Wall
Light



Garden **LM**
Recessed Wall
Light

APEX™ COLLECTION



Combining world-class engineering with contemporary design aesthetics, this high-quality collection delivers sleek, robust solutions with outputs up to 3,000 lm.



Apex **A-CT4**
Directional Accent
Light



Apex **A-CT5**
Directional Accent
Light



Apex **A-ST5**
Grande Wall Sconce



Apex **A-KN**
Grande In-Grade



Apex **A-NK4**
Recessed Wall Light



Apex **A-NK6**
Grande Recessed Wall
Light



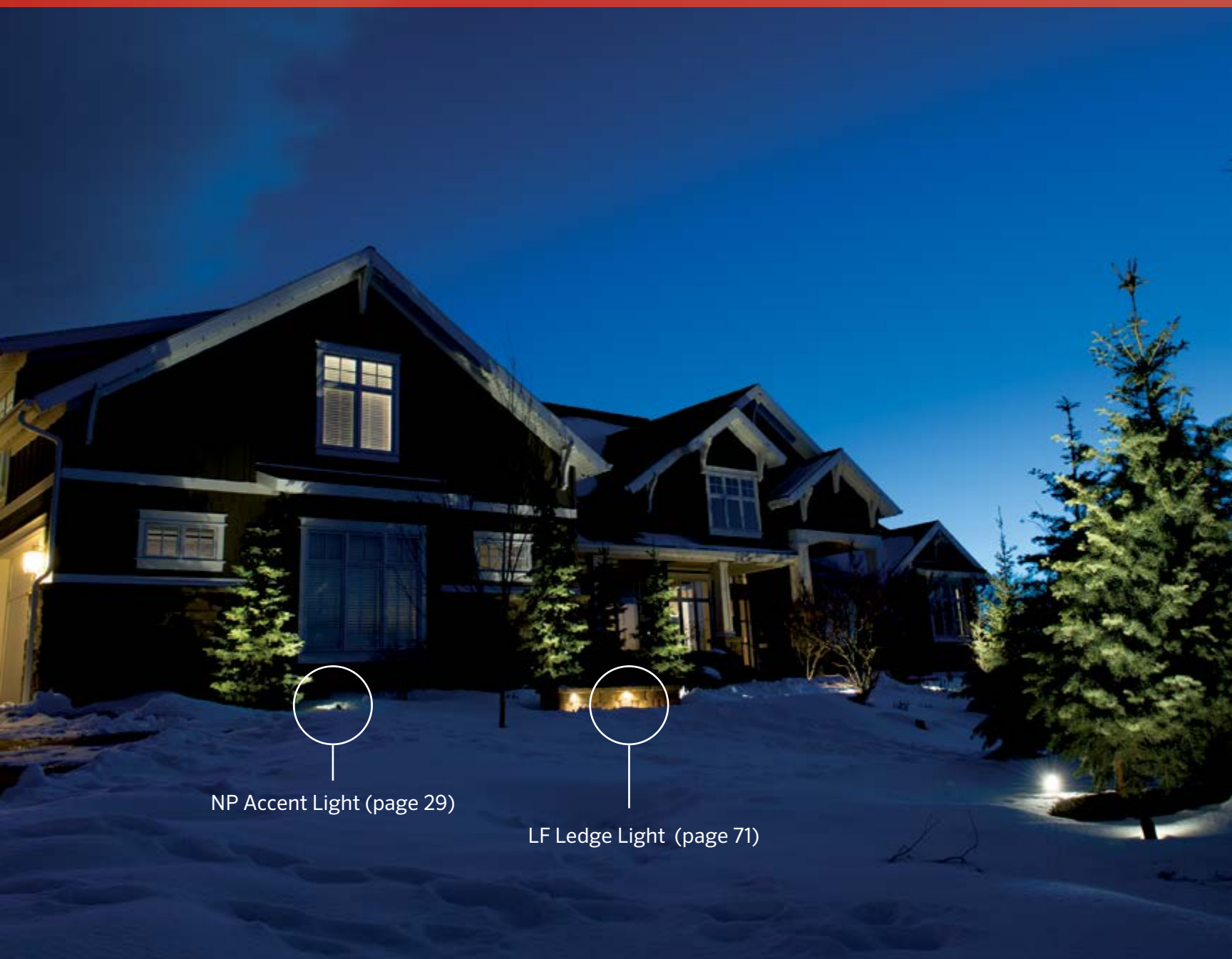
Apex **A-HS**
Recessed Wall Light



Apex **A-BR10**
Commercial Bollard

Accent Lights





NP Accent Light (page 29)

LF Ledge Light (page 71)

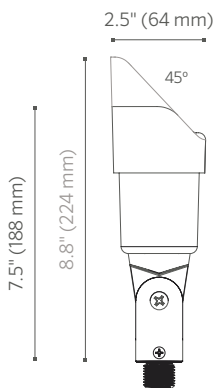
Accent lights serve as key elements of a cohesive, aesthetically pleasing lighting design. Strategically place these decorative fixtures to highlight architectural features, emphasize focal points, and amplify the ambiance of any space with depth, dimension, and visual intrigue.



RS

RS

The RS is the core of our accent light family, allowing designers to use different lamps to create custom effects while maintaining consistency in style.



KEY FEATURES

- Built with durable, lightweight aluminum housing that withstands any weather condition
- Utilizes a premium lamp socket with a ceramic base and retaining clips for a secure and long-lasting hold
- Features ProAim® Technology with over 220° of vertical adjustability and compress-and-lock features to prevent slip after installation
- Sturdy ground stake and rotational Lock Ring included

VANTAGE RS ACCENT LIGHT

Light Source	MR-16 LED Lamp				
Power	ECO20WFL	LED20WFL	LED35WFL	LED50WFL	ZD35WFL
Total Lumens (lm)	385	250	335	345	310
Power Consumption (VA)	6.0	4.3	5.4	6.5	5.4
LED Color	■	■	■	■	■
Rated Life (L70 B10 Hrs)	30,000	40,000	40,000	40,000	40,000
Control	● ■	● ■	● ■	● ■	◆ ◆
Beam Angles	FL (35°)	FL (35°)	FL (35°)	FL (35°)	FL (35°)
Glare Control	15° Angled, 45° Angled (LS)				
Included Components	Super Slot Spike, Lock Ring				
International (CE)	Ground Mount (GM-XX) accessory required				
Finish	BZ, FB, SB, DG, WI, SV, FW				

● On/Off ■ Phase Dimmable ◆ Addressing and Zoning w/Luxor ◆ Luxor Dimming ■ 2700K



EA-51

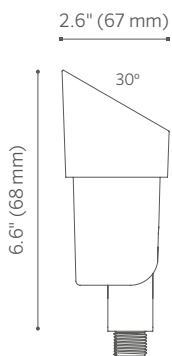
As part of the Evo Collection, this injection-molded, composite fixture minimizes environmental impact while offering a lower-cost option that doesn't sacrifice on design or output.



EA-51



EA-51



KEY FEATURES

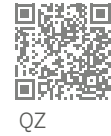
- Eco-friendly, composite construction minimizes environmental impact
- Built with UV-tested, corrosion-proof materials to withstand coastal areas with saline environments
- Utilizes a premium lamp socket with a ceramic base and retaining clips for a secure and long-lasting hold
- Features ProAim® Technology with over 220° of vertical adjustability and compress-and-lock features to prevent slip after installation

EVO EA-51 ACCENT LIGHT

Light Source	MR-16 LED Lamp
Power	E4WFL
Total Lumens (lm)	250
Power Consumption (VA)	6.0
LED Color	■
Rated Life (L70 B10 Hrs)	30,000
Control	● ■
Beam Angles	FL (35°)
Glare Control	45° Angled
Included Components	Super Slot Spike, Lock Ring
International (CE)	Specified "E" Configuration
Finish	BC

● On/Off ■ Phase Dimmable ■ 2700K





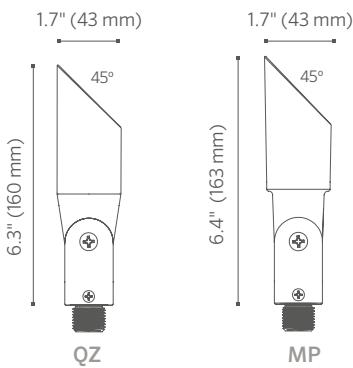
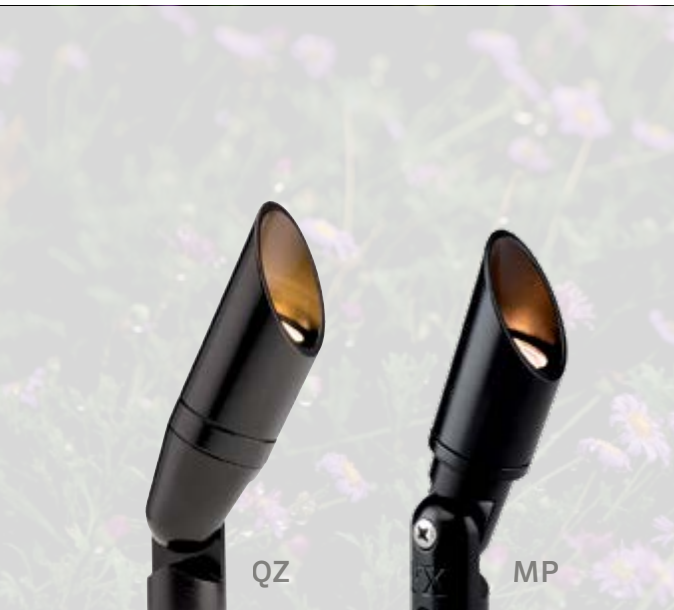
QZ



MP

QZ, MP

Small in size, the lamped MP easily integrates into any intimate garden space while the integrated QZ offers Luxor compatibility for zoning and dimming.



KEY FEATURES

- Slender luminaire delivers an optimal amount of light exactly where it's needed
- Features ProAim® Technology with over 220° of vertical adjustability and compress-and-lock features to prevent slip after installation
- Sturdy ground stake and rotational Lock Ring included for maximum security and adjustability
- Built-in angled glare-control for maximum comfort in the space

	DESIGNER QZ MINI ACCENT LIGHT	VANTAGE MP PETITE ACCENT LIGHT
Light Source	PowerBoard® Integrated LED	MR-11 LED Lamp
Power	1LED	ECO20WFL
Total Lumens (lm)	110	115
Power Consumption (VA)	2.2	3.3
LED Color	■	■ ■
Rated Life (L70 B10 Hrs)	72,000	30,000
Control	● ■ ◆ ◆	● ■
Beam Angles	FL (35°)	FL (35°)
Glare Control	45° Angled	
Included Components	Super Slot Spike, Lock Ring	
International (CE)	North America Only	
Finish	BZ, FB, SB, DG, WI, SV, FW	

● On/Off ■ Phase Dimmable ◆ Addressing and Zoning w/Luxor ◆ Luxor Dimming ■ 2700K ■ 3000K

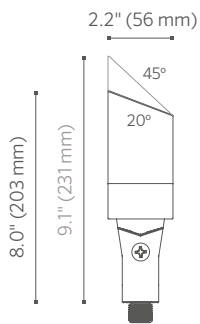


MU

Versatile with functionality to spare, this aluminum accent light is ideal for any outdoor setting.



MU



KEY FEATURES

- Built with durable, lightweight aluminum housing that withstands any weather condition
- Utilizes a premium lamp socket with a ceramic base and retaining clips for a secure and long-lasting hold
- Features ProAim® Technology with over 220° of vertical adjustability and compress-and-lock features to prevent slip after installation
- Sturdy ground stake and rotational Lock Ring included

VANTAGE MU ACCENT LIGHT

Light Source	MR-16 LED Lamp				
Power	ECO20WFL	LED20WFL	LED35WFL	LED50WFL	ZD35WFL
Total Lumens (lm)	385	250	310	345	310
Power Consumption (VA)	6.0	4.3	5.4	6.5	5.4
LED Color	■	■	■	■	■
Rated Life (L70 B10 Hrs)	30,000	40,000	40,000	40,000	40,000
Control	● ■	● ■	● ■	● ■	◆ ◆
Beam Angles	FL (35°)	FL (35°)	FL (35°)	FL (35°)	FL (35°)
Glare Control	20° Angled, 45° Angled				
Included Components	Super Slot Spike, Lock Ring				
International (CE)	Specified "E" Configuration				
Finish	BZ, FB, SB, DG, WI, SV, FW				

● On/Off ■ Phase Dimmable ◆ Addressing and Zoning w/Luxor ◆ Luxor Dimming ■ 2700K





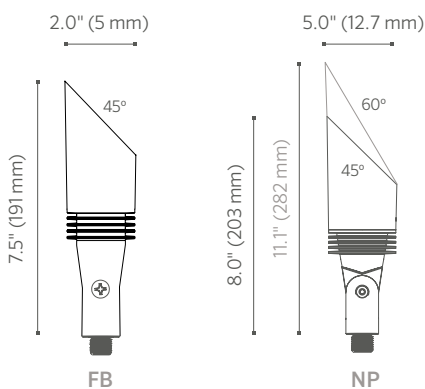
FB



NP

FB, NP

Compact and contemporary, the FB fits nicely into smaller landscapes and tight spaces. As our best-selling accent light, the NP is elegantly engineered for peak performance from the ground up.



KEY FEATURES

- Built with durable, lightweight aluminum housing that withstands any weather condition
- Includes field-servicable beam angle lenses from Very Narrow to Wide Flood
- Built-in Luxor® Technology enables powerline zoning, smooth dimming, and RGBW color-changing with the Luxor Controller
- Features ProAim® Technology with over 220° of vertical adjustability and compress-and-lock features to prevent slip after installation

DESIGNER FB PETITE ACCENT LIGHT DESIGNER NP ACCENT LIGHT

Light Source	PowerBoard® Integrated LED					
Power	1LED	3LED	3LED	6LED	9LED	ZDC
Total Lumens (lm)	115	280	290	510	700	115-390
Power Consumption (VA)	2.2	4.5	4.5	9.3	12.2	11.0
LED Color	■	■	■	■	■	■
Rated Life (L70 B10 Hrs)	72,000	72,000	72,000	72,000	72,000	55,000
Control	● ■ ◆ ◆	● ■ ◆ ◆	● ■ ◆ ◆	● ■ ◆ ◆	● ■ ◆ ◆	◆ ◆ ◆
Beam Angles	FL (35°)	FL (35°)	FL (35°)	FL (35°)	FL (35°)	FL (40°)
Glare Control	45° Angled		45° Angled, 60° Angled (LS)			
Included Components	Super Slot Spike, Lock Ring, Wide Flood Lens					
International (CE)	Specified "E" Configuration					
Finish	BZ, FB, SB, DG, WI, SV, FW					

● On/Off ■ Phase Dimmable ◆ Addressing and Zoning w/Luxor ◆ Luxor Dimming ◆ RGBW Color Changing w/Luxor ■ 2700K ■ RGBW





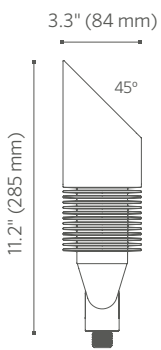
XA-70

XA-70

Combining a light output of 1,000 lm with top-tier integrated LED technology, this Exa Collection fixture offers high-output performance with low-voltage simplicity.



XA-70



KEY FEATURES

- Built with durable, lightweight aluminum housing that withstands any weather condition
- Multidirectional fixture offers up/down capability for added design flexibility
- Built-in Luxor® Technology enables powerline zoning, smooth dimming, and RGBW color-changing with the Luxor Controller
- Features ProAim® Technology with over 220° of vertical adjustability and compress-and-lock features to prevent slip after installation

EXA XA-70 GRANDE ACCENT LIGHT

Light Source	PowerBoard® Integrated LED	
Power	H1	ZDC
Total Lumens (lm)	975	450-1000
Power Consumption (VA)	23.0	25.0
LED Color	■ ■	■
Rated Life (L70 B10 Hrs)	72,000	55,000
Control	● ■ ◆ ◆	◆ ◆ ◆
Beam Angles	SP (20°), FL (40°), WF (60°)	WF (50°)
Glare Control	45° Angled	
Included Components	Large Slot Spike	
International (CE)	Specified "E" Configuration	
Finish	BZ, FB, SB, DG, WI, SV, FW	

● On/Off ■ Phase Dimmable ◆ Addressing and Zoning w/Luxor ◆ Luxor Dimming ◆ RGBW Color Changing w/Luxor ■ 2700K ■ RGBW





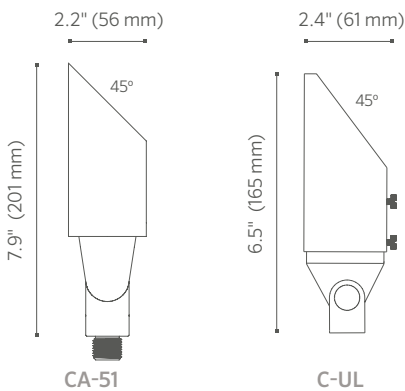
CA-51



C-UL

CA-51, C-UL

Made with durable, select brass, these elegant accent lights are the perfect additions to lighting projects with modest budgets.



KEY FEATURES

- Select brass construction and black oxide stainless steel hardware deliver strong corrosion resistance, increased durability, and an elegant look
- Multidirectional fixture offers up/down capability for added design flexibility
- Preinstalled with a 10' (3 m) or extra-long 26' (8 m) wire lead for high and hard-to-reach installations
- Features ProAim® Technology with over 220° of vertical adjustability and compress-and-lock features to prevent slip after installation

CORA CA-51 ACCENT LIGHT

CORA C-UL ACCENT LIGHT

Light Source	CORA CA-51 ACCENT LIGHT					CORA C-UL ACCENT LIGHT	
Light Source	MR-16 LED Lamp						
Power	ECO20WFL	ECO50WFL	LED20WFL	LED35WFL	LED50WFL	LED20WFL	LED35WFL
Total Lumens (lm)	250	325	180	250	325	180	250
Power Consumption (VA)	6.0	8.5	4.3	5.4	6.5	4.3	5.4
LED Color	■	■	■	■	■	■	■
Rated Life (L70 B10 Hrs)	30,000	30,000	40,000	40,000	40,000	40,000	40,000
Control	● ■	● ■	● ■	● ■ ◆ ◆	● ■	● ■	● ■
Beam Angles	FL (30°)	FL (30°)	FL (35°)	FL (35°)	FL (35°)	FL (35°)	FL (35°)
Glare Control	Adjustable (CU-L), 45° Angled (CA-51)						
Included Components	Large Slot Spike (CU-L) Super Slot Spike, Lock Ring, Mini Mount Wall Bracket (CA-51)						
International (CE)	North America only						
Finish	AB						

● On/Off ■ Phase Dimmable ◆ Addressing and Zoning w/Luxor ◆ Luxor Dimming ■ 2700K ■ 3000K

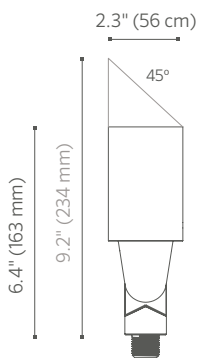




LO

LO

Offering highly durable brass construction, this directional accent light delivers peak performance in even the harshest environments.



KEY FEATURES

- Premium, corrosion-resistant brass construction protects internal and external elements of the fixture
- Utilizes a premium lamp socket with a ceramic base and retaining clips for a secure and long-lasting hold
- Features ProAim® Technology with over 220° of vertical adjustability and compress-and-lock features to prevent slip after installation
- Sturdy ground stake and rotational Lock Ring included

STELLA LO ACCENT LIGHT

Light Source	MR-16 LED Lamp			
Power	LED20WFL	LED35WFL	LED50WFL	ZD35WFL
Total Lumens (lm)	210	315	350	340
Power Consumption (VA)	4.3	5.4	6.5	5.4
LED Color	■	■	■	■
Rated Life (L70 B10 Hrs)	40,000	40,000	40,000	40,000
Control	● ■	● ■	● ■	◆ ◆
Beam Angles	FL (35°)	FL (35°)	FL (35°)	FL (35°)
Glare Control	90° Straight, 45° Angled			
Included Components	Super Slot Spike, Lock Ring, Hex Key			
International (CE)	Ground Mount (GM-XX) accessory required			
Finish	BS, NP			

● On/Off ■ Phase Dimmable ◆ Addressing and Zoning w/Luxor ◆ Luxor Dimming ■ 2700K





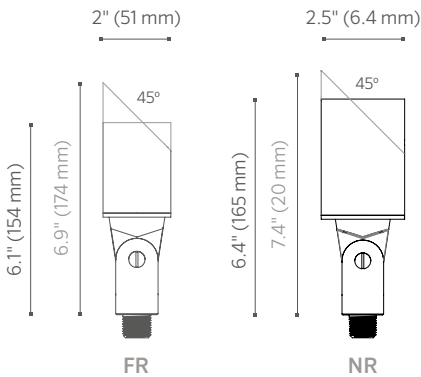
FR



NR

FR, NR

The FR and larger NR fixtures combine the elegance and performance of precious metals with all the beam angles and other features of our PowerBoard® integrated LEDs.



KEY FEATURES

- Premium, corrosion-resistant copper and brass construction protects internal and external elements of the fixture
- Includes field-servicable beam angle lenses from Very Narrow to Wide Flood
- Built-in Luxor® Technology enables powerline zoning, smooth dimming, and RGBW color-changing with the Luxor Controller
- Features ProAim® Technology with over 220° of vertical adjustability and compress-and-lock features to prevent slip after installation

	PINNACLE FR PETITE ACCENT LIGHT				PINNACLE NR ACCENT LIGHT			
Light Source	PowerBoard® Integrated LED							
Power	1LED	3LED	3LEDT	ZDC	3LED	6LED	9LED	ZDC
Total Lumens (lm)	95	215	105	115-270	225	490	600	140-480
Power Consumption (VA)	2.2	4.4	4.5	7.2	4.4	9.3	12.2	11.0
LED Color	■	■	■	■	■	■	■	■
Rated Life (L70 B10 Hrs)	72,000	72,000	50,000	55,000	72,000	72,000	72,000	55,000
Control	● ■ ◆ ◆	● ■ ◆ ◆	● ■ ◆ ◆	◆ ◆ ◆	● ■ ◆ ◆	● ■ ◆ ◆	● ■ ◆ ◆	◆ ◆ ◆
Beam Angles	FL (35°)	FL (35°)	FL (35°)	FL (40°)	FL (35°)	FL (35°)	FL (35°)	FL (45°)
Glare Control	90° Straight, 45° Angled (LS)							
Included Components	Super Slot Spike, Lock Ring, Wide Flood Lens							
International (CE)	Ground Mount (GM-XX) accessory required							
Finish	CU, AB, AT, NP							

● On/Off ■ Phase Dimmable ◆ Addressing and Zoning w/Luxor ◆ Luxor Dimming ◆ RGBW Color Changing w/Luxor ■ 2700K ■ Wildlife-Friendly ■ RGBW



MR, LR

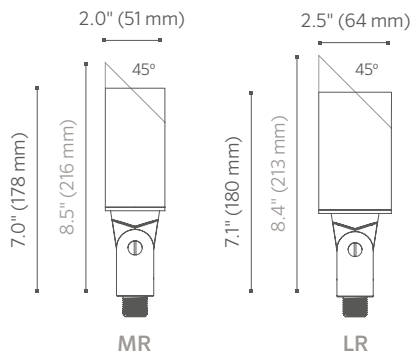
These lamped, copper and brass accent lights offer the elegance and performance of precious metals, serving as a chic supplement to lighting projects in humid environments.



MR



LR



KEY FEATURES

- Premium, corrosion-resistant copper and brass construction protects internal and external elements of the fixture
- Utilizes a premium lamp socket with a ceramic base and retaining clips for a secure and long-lasting hold
- Features ProAim® Technology with over 220° of vertical adjustability and compress-and-lock features to prevent slip after installation
- Sturdy ground stake and rotational Lock Ring included

	STELLA MR PETITE ACCENT LIGHT		STELLA LR ACCENT LIGHT		
Light Source	MR-11 LED Lamp		MR-16 LED Lamp		
Power	ECO20WFL	ECO20SFL	LED20WFL	LED35WFL	LED50WFL
Total Lumens (lm)	160	180	240	290	425
Power Consumption (VA)	3.3	3.3	4.3	5.4	6.5
LED Color	■	■	■	■	■
Rated Life (L70 B10 Hrs)	30,000	30,000	40,000	40,000	40,000
Control	● ■	● ■	● ■	● ■	● ■
Beam Angles	FL (35°)	FL (35°)	FL (35°)	FL (35°)	FL (35°)
Glare Control	90° Straight, 45° Angled (LS)				
Included Components	Super Slot Spike, Lock Ring				
International (CE)	North America Only		Ground Mount (GM-XX) accessory required		
Finish	CU, NP				

● On/Off ■ Phase Dimmable ■ 2700K ■ 3000K





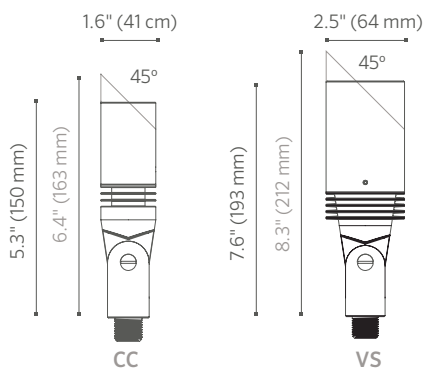
CC



VS

CC, VS

The CC and VS offer elegance and performance, combining first-class LED technology with premium materials to create fixtures that are truly unparalleled.



KEY FEATURES

- Premium, corrosion-resistant brass construction protects internal and external elements of the fixture
- Includes field-servicable beam angle lenses from Very Narrow to Wide Flood
- Built-in Luxor® Technology enables powerline zoning, smooth dimming, and RGBW color-changing with the Luxor Controller
- Features ProAim® Technology with over 220° of vertical adjustability and compress-and-lock features to prevent slip after installation

PINNACLE CC PETITE ACCENT LIGHT

PINNACLE VS ACCENT LIGHT

Light Source	PowerBoard® Integrated LED				PowerBoard® Integrated LED			
Power	1LED	3LED	3LEDT	ZDC	3LED	6LED	9LED	ZDC
Total Lumens (lm)	115	230	115	110-260	235	420	560	120-375
Power Consumption (VA)	2.2	4.5	4.5	7.2	4.5	9.3	12.2	11.0
LED Color	■	■	■	■	■	■	■	■
Rated Life (L70 B10 Hrs)	72,000	72,000	50,000	55,000	72,000	72,000	72,000	55,000
Control	● ■ ◆ ◆	● ■ ◆ ◆	● ■ ◆ ◆	◆ ◆ ◆	● ■ ◆ ◆	● ■ ◆ ◆	● ■ ◆ ◆	◆ ◆ ◆
Beam Angles	FL (35°)	FL (35°)	FL (35°)	WF (50°)	FL (35°)	FL (35°)	FL (35°)	WF (50°)
Glare Control	1" Straight, 45° Angled (LS)							
Included Components	Large Slot Spike, Lock Ring, Wide Flood Lens							
International (CE)	Ground Mount (GM-XX) accessory required							
Finish	BS, AB, AT, NP							

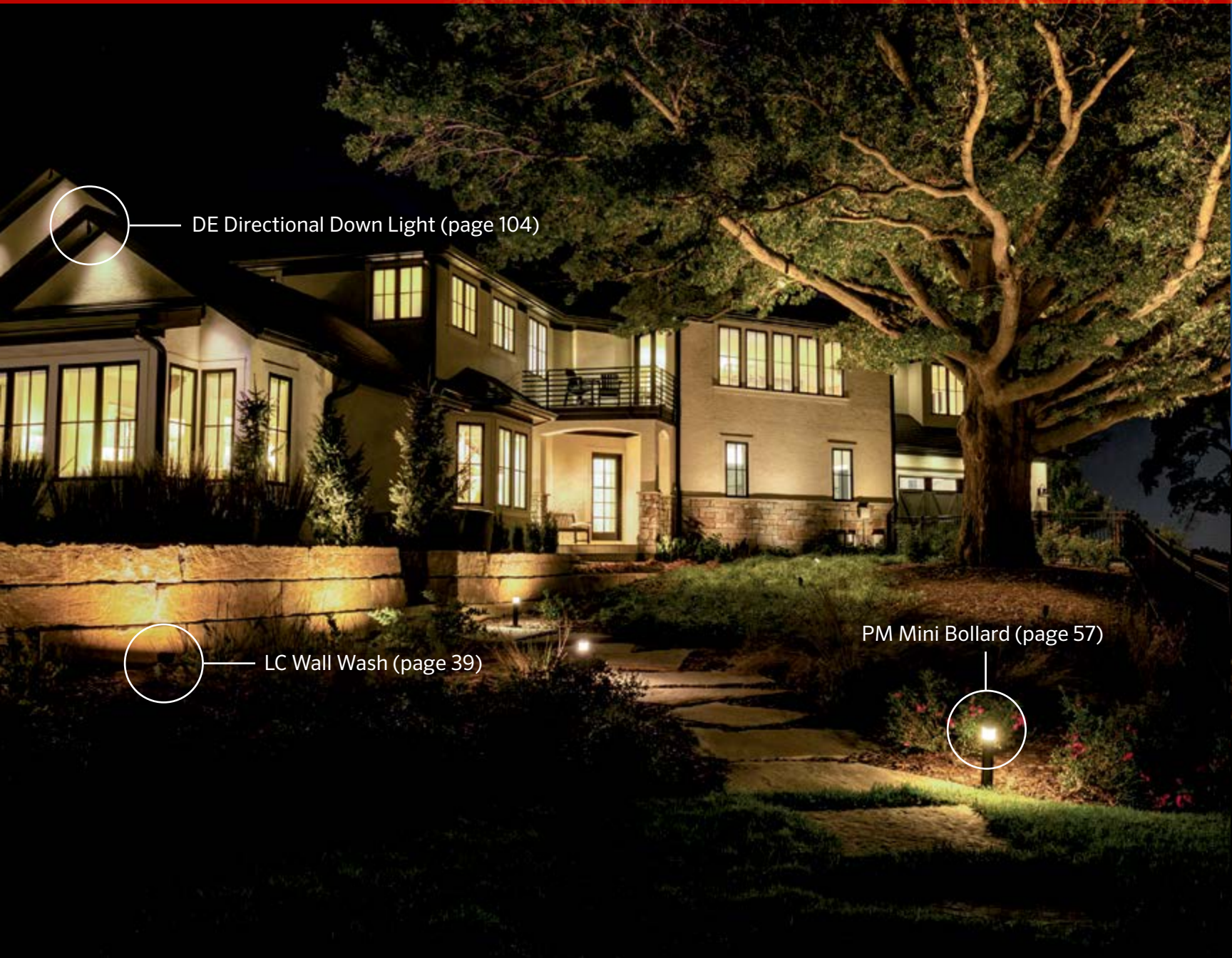
● On/Off ■ Phase Dimmable ◆ Addressing and Zoning w/Luxor ◆ Luxor Dimming ◆ RGBW Color Changing w/Luxor ■ 2700K ■ Wildlife-Friendly ■ RGBW





Accent lights from FX Luminaire highlight architectural details and landscape features with precision. These versatile, durable fixtures ensure your outdoor designs shine beautifully day and night, with customizable options for optimal illumination.

Wall Washes



DE Directional Down Light (page 104)

LC Wall Wash (page 39)

PM Mini Bollard (page 57)



KG Well Light (page 80)

LF Ledge Light (page 71)

PB Wall Wash (page 39)

Wall washes are designed to visually smooth any surface while delivering a soft, ambient glow to the surrounding area. Seamlessly integrate them into any setting to transform textured surfaces, architectural features, and more with uniform illumination.



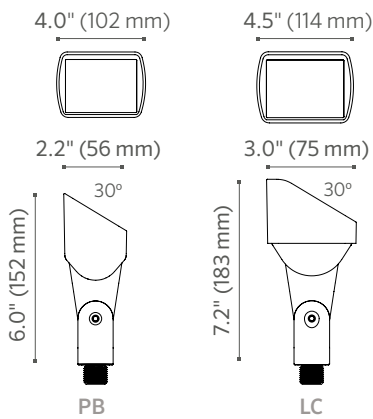
PB



LC

PB, LC

Compatible with Luxor Technology, the compact PB and larger LC offer zoning, dimming, and color capabilities with a wide beam angle for lighting sizable structures and spaces.



KEY FEATURES

- Delivers soft wash and seamless transitions for enhanced uniformity and a more pleasant visual experience
- Frosted glass lens provides soft, even light distribution
- Built-in Luxor® Technology enables powerline zoning, smooth dimming, and RGBW color-changing with the Luxor Controller
- Features ProAim® Technology with over 220° of vertical adjustability and compress-and-lock features to prevent slip after installation

DESIGNER PB WALL WASH

DESIGNER LC WALL WASH

Light Source	PowerBoard® Integrated LED							
Power	1LED	3LED	3LEDT	ZDC	3LED	6LED	9LED	ZDC
Total Lumens (lm)	105	265	145	125-255	305	540	810	195-460
Power Consumption (VA)	2.2	4.5	4.5	7.2	4.5	9.3	12.2	11.0
LED Color	■	■	■	■	■	■	■	■
Rated Life, L70 B10 (Hrs)	72,000	72,000	50,000	55,000	72,000	72,000	72,000	55,000
Control	● ■ ◆ ◆	● ■ ◆ ◆	● ■ ◆ ◆	◆ ◆ ◆ ◆	● ■ ◆ ◆	● ■ ◆ ◆	● ■ ◆ ◆	◆ ◆ ◆ ◆
Beam Angles	WW (90°)	WW (90°)	WW (90°)	WW (90°)	WW (90°)	WW (90°)	WW (90°)	WW (90°)
Glare Control	30° Angled							
Included Components	Large Slot Spike, Lock Ring							
International (CE)	Specified "E" Configuration or Ground Mount (GM-XX) accessory required							
Finish	BZ, FB, SB, DG, WI, FW, SV, AB, AT, BS, NP							

● On/Off ■ Phase Dimmable ◆ Addressing and Zoning w/Luxor ◆ Luxor Dimming ◆ RGBW Color Changing w/Luxor ■ 2700K ■ Wildlife-Friendly ■ RGBW

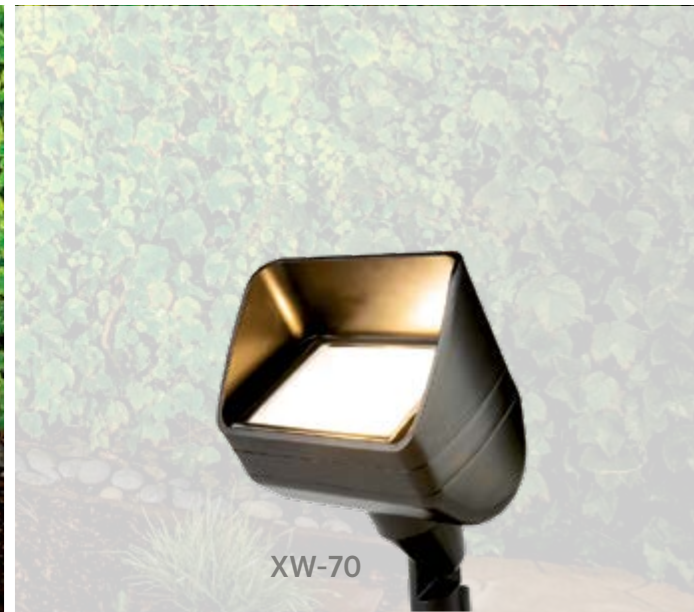




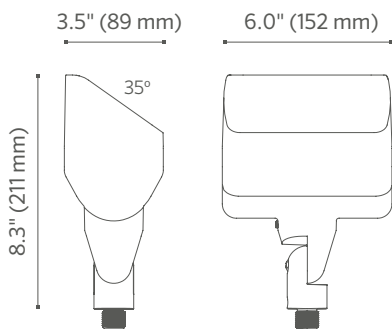
XW-70

XW-70

At 1,200 lumens, this powerful fixture offers the highest output in the Exa Collection. It also features an IP66/IP67 rating, an ultra-wide beam spread, and a patent-pending adjustable body.



XW-70



KEY FEATURES

- Built with durable, lightweight aluminum housing that withstands any weather condition
- Delivers soft wash and seamless transitions for enhanced uniformity and a more pleasant visual experience
- Designed with an ultrawide beam to produce smooth illumination
- Built-in Luxor® Technology enables powerline zoning, smooth dimming, and RGBW color-changing with the Luxor Controller

EXA XW-70 GRANDE WALL WASH

Light Source	PowerBoard® Integrated LED	
Power	H1	ZDC
Total Lumens (lm)	1,180	450-1,000
Power Consumption (VA)	23.0	25.0
LED Color	■ ■	■ ■ ■ ■
Rated Life, L70 B10 (Hrs)	72,000	55,000
Control	● ■ ◆ ◆	◆ ◆ ◆
Beam Angles	WF (135°)	WF (135°)
Glare Control	35° Angled	
Included Components	Large Slot Spike	
International (CE)	Specified "E" Configuration	
Finish	BZ, FB, SB, DG, WI, SV, FW	

● On/Off ■ Phase Dimmable ◆ Addressing and Zoning w/Luxor ◆ Luxor Dimming ◆ RGBW Color Changing w/Luxor ■ 2700K ■ 3000K ■ RGBW







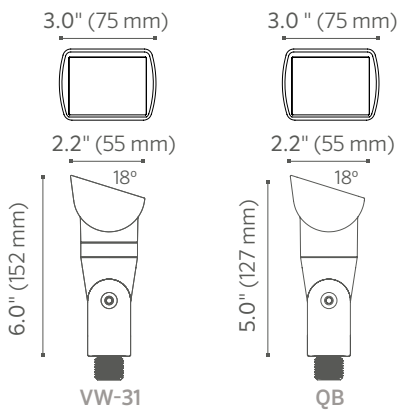
VW-31



QB

VW-31, QB

The lamped VW-31 offers a 45° beam angle while the integrated QB provides a 90° spread and Luxor Technology compatibility. Both wall washes feature a small footprint that allows them to blend easily into any landscape.



KEY FEATURES

- Slender luminaire delivers an optimal amount of light exactly where it's needed
- Built with durable, lightweight aluminum housing that withstands any weather condition
- Delivers soft wash and seamless transitions for enhanced uniformity and a more pleasant visual experience
- Frosted glass lens provides soft, even light distribution

	VANTAGE VW-31 PETITE WALL WASH		DESIGNER QB MINI WALL WASH
Light Source	MR-11 LED Lamp		PowerBoard® Integrated LED
Power	ECO20WFL	ECO20SFL	1LED
Total Lumens (lm)	130	130	120
Power Consumption (VA)	3.3	3.3	2.2
LED Color	■	■	■
Rated Life, L70 B10 (Hrs)	30,000	30,000	72,000
Control	● ■	● ■	● ■ ◆ ◆
Beam Angles	FL (45°)	FL (45°)	WW (90°)
Glare Control	18° Angled		
Included Components	Lock Ring, Super Slot Spike		
International (CE)	North America Only		Ground Mount (GM-XX) accessory required
Finish	BZ, FB, SB, DG, WI, SV, FW		BZ, FB, SB, DG, WI, SV, FW

● On/Off ■ Phase Dimmable ◆ Addressing and Zoning w/Luxor ◆ Luxor Dimming ■ 2700K ■ 3000K

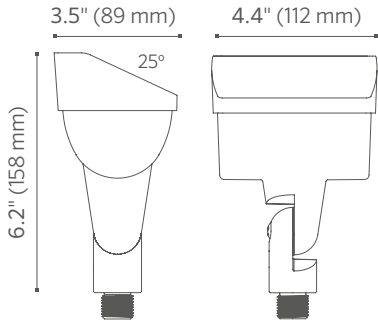




CW-51

CW-51

The directional CW-51 features superior light output, multiple power and beam spread options, and a corrosion-resistant brass construction, making it especially well-suited for coastal regions.



KEY FEATURES

- Select brass construction and black oxide stainless steel hardware deliver strong corrosion resistance, increased durability, and an elegant look
- Preinstalled with a 10' (3 m) or extra-long 26' (8 m) wire lead for high and hard-to-reach installations
- Delivers soft wash and seamless transitions for enhanced uniformity and a more pleasant visual experience
- Frosted glass lens provides soft, even light distribution

CORA CW-51 WALL WASH

Light Source	MR-16 LED Lamp				
Power	ECO20WFL	ECO50WFL	LED20WFL	LED35WFL	LED50WFL
Total Lumens (lm)	270	345	145	165	240
Power Consumption (VA)	6.0	8.5	4.3	5.4	6.5
LED Color	■	■	■	■	■
Rated Life, L70 B10 (Hrs)	30,000	30,000	40,000	40,000	40,000
Control	● ■	● ■	● ■	● ■ ◆ ◆	● ■
Beam Angles	FL (40°)	FL (40°)	FL (40°)	FL (40°)	FL (40°)
Glare Control	25° Angled				
Included Components	Lock Ring, Super Slot Spike				
International (CE)	North America Only				
Finish	AB				

● On/Off ■ Phase Dimmable ◆ Addressing and Zoning w/Luxor ◆ Luxor Dimming ■ 2700K





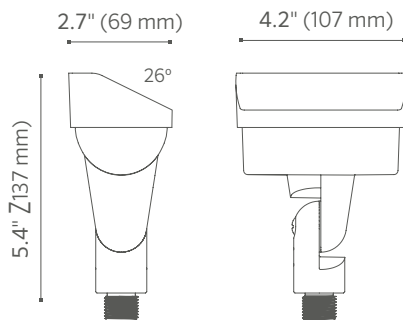
CW-31

CW-31

Designed to outlast any landscape, the CW-31's minimal size makes it the perfect choice for projects that may require a smaller fixture footprint or soft, filtered light.



CW-31



KEY FEATURES

- Select brass construction and black oxide stainless steel hardware deliver strong corrosion resistance, increased durability, and an elegant look
- Preinstalled with a 10' (3 m) or extra-long 26' (8 m) wire lead for high and hard-to-reach installations
- Delivers soft wash and seamless transitions for enhanced uniformity and a more pleasant visual experience
- Frosted glass lens provides soft, even light distribution

CORA CW-31 PETITE WALL WASH

Light Source	G4 LED Lamp
Power	LED35W
Total Lumens (lm)	65
Power Consumption (VA)	1.7
LED Color	■
Rated Life, L70 B10 (Hrs)	33,000
Control	● ■
Beam Angles	WW (85°)
Glare Control	26° Angled Shield
Included Components	Lock Ring, Super Slot Spike
International (CE)	North America Only
Finish	AB

● On/Off ■ Phase Dimmable ■ 2700K

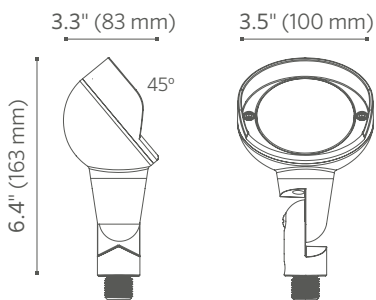
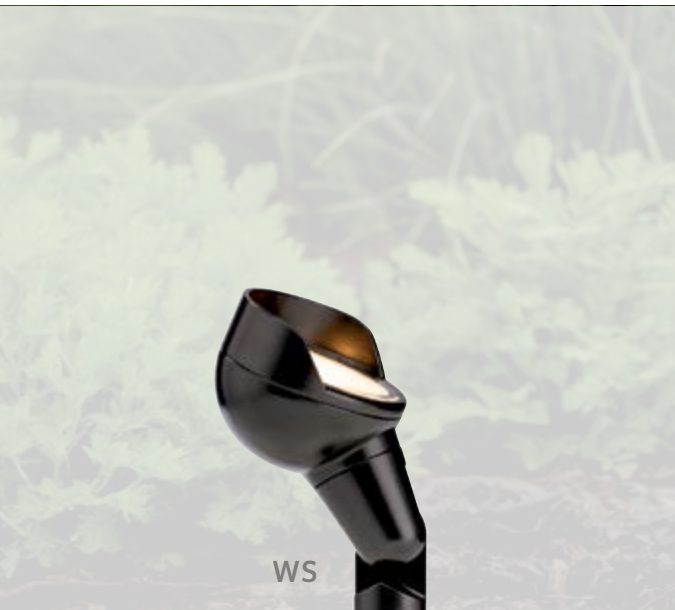




WS

WS

Designed with rounded, minimalist features and a durable, die-cast aluminum construction, the versatile WS is the perfect addition to any lighting design.



KEY FEATURES

- Built with durable, lightweight aluminum housing that withstands any weather condition
- Delivers soft wash and seamless transitions for enhanced uniformity and a more pleasant visual experience
- Features ProAim® Technology with over 220° of vertical adjustability and compress-and-lock features to prevent slip after installation
- Sturdy ground stake and rotational Lock Ring included

VANTAGE WS WALL WASH

Light Source	G4 LED Lamp
Power	LED35W
Total Lumens (lm)	55
Power Consumption (VA)	1.7
LED Color	■
Rated Life, L70 B10 (Hrs)	33,000
Control	● ■
Beam Angles	WW (85°)
Glare Control	45° Angled
Included Components	Lock Ring, Super Slot Spike
International (CE)	North America Only
Finish	BZ, FB, SB, DG, WI, SV, FW

● On/Off ■ Phase Dimmable ■ 2700K





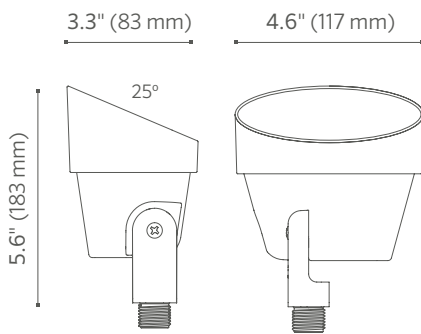
EW-31

EW-31

This injection-molded, composite fixture minimizes environmental impact while offering a lower-cost option that doesn't sacrifice on design or output.



EW-31



KEY FEATURES

- Eco-friendly, composite construction minimizes environmental impact
- Built with UV-tested, corrosion-proof materials to withstand coastal areas with saline environments
- Delivers soft wash and seamless transitions for enhanced uniformity and a more pleasant visual experience
- Frosted glass lens provides soft, even light distribution

EVO EW-31 PETITE WALL WASH

Light Source	G4 LED Lamp
Power	E3W
Total Lumens (lm)	60
Power Consumption (VA)	1.7
LED Color	■
Rated Life, L70 B10 (Hrs)	33,000
Control	● ■
Beam Angles	WW (90°)
Glare Control	25° Angled
Included Installation Components	Lock Ring, Large Slot Spike
International (CE)	North America Only
Finish	BC

● On/Off ■ Phase Dimmable ■ 2700K

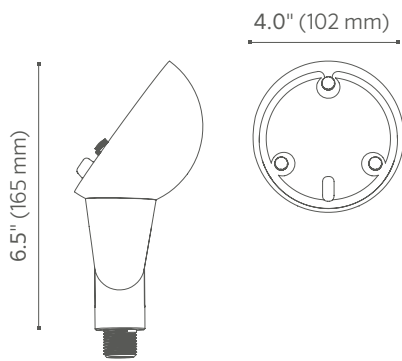
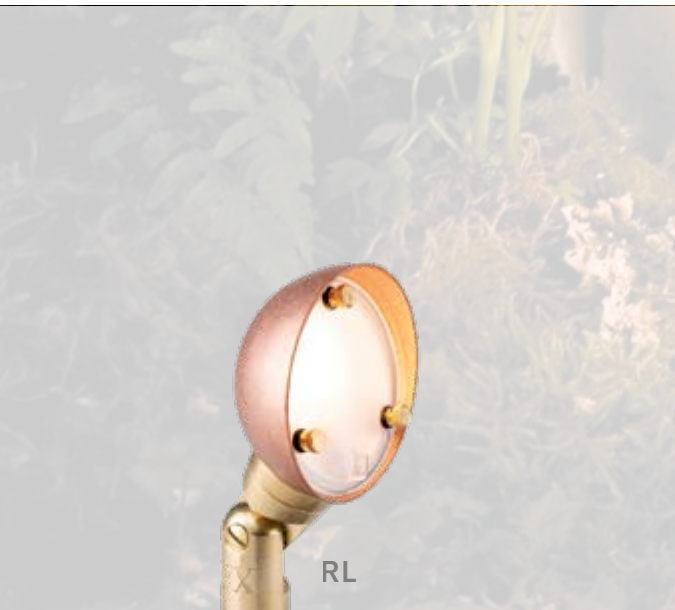




RL

RL

Combining beauty and durability, the RL is specifically designed to gently illuminate small-scale plant material, rocks, and short garden walls.



KEY FEATURES

- Premium, corrosion-resistant copper and brass construction protects internal and external elements of the fixture
- Delivers soft wash and seamless transitions for enhanced uniformity and a more pleasant visual experience
- Frosted glass lens provides soft, even light distribution
- Features ProAim® Technology with over 220° of vertical adjustability and compress-and-lock features to prevent slip after installation

STELLA RL WALL WASH

Light Source	G4 LED Lamp	
Power	LED20W	LED35W
Total Lumens (lm)	-	-
Power Consumption (VA)	1.3	1.7
LED Color	■	■
Rated Life, L70 B10 (Hrs)	33,000	33,000
Control	● ■	● ■
Beam Angles	WW (90°)	WW (90°)
Glare Control	Flush	
Included Components	-	-
International (CE)	North America Only	
Finish	CU	

● On/Off ■ Phase Dimmable ■ 2700K

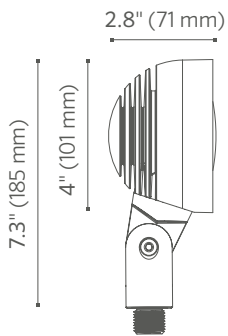




RW

RW

Perfect for accenting architectural elements or plant details, the RW offers soft illumination to wash walls and create a gentle glow.



KEY FEATURES

- Built with durable, lightweight aluminum housing that withstands any weather condition
- Delivers soft wash and seamless transitions for enhanced uniformity and a more pleasant visual experience
- Frosted glass lens provides soft, even light distribution
- Built-in Luxor® Technology enables powerline zoning, smooth dimming, and RGBW color-changing with the Luxor Controller

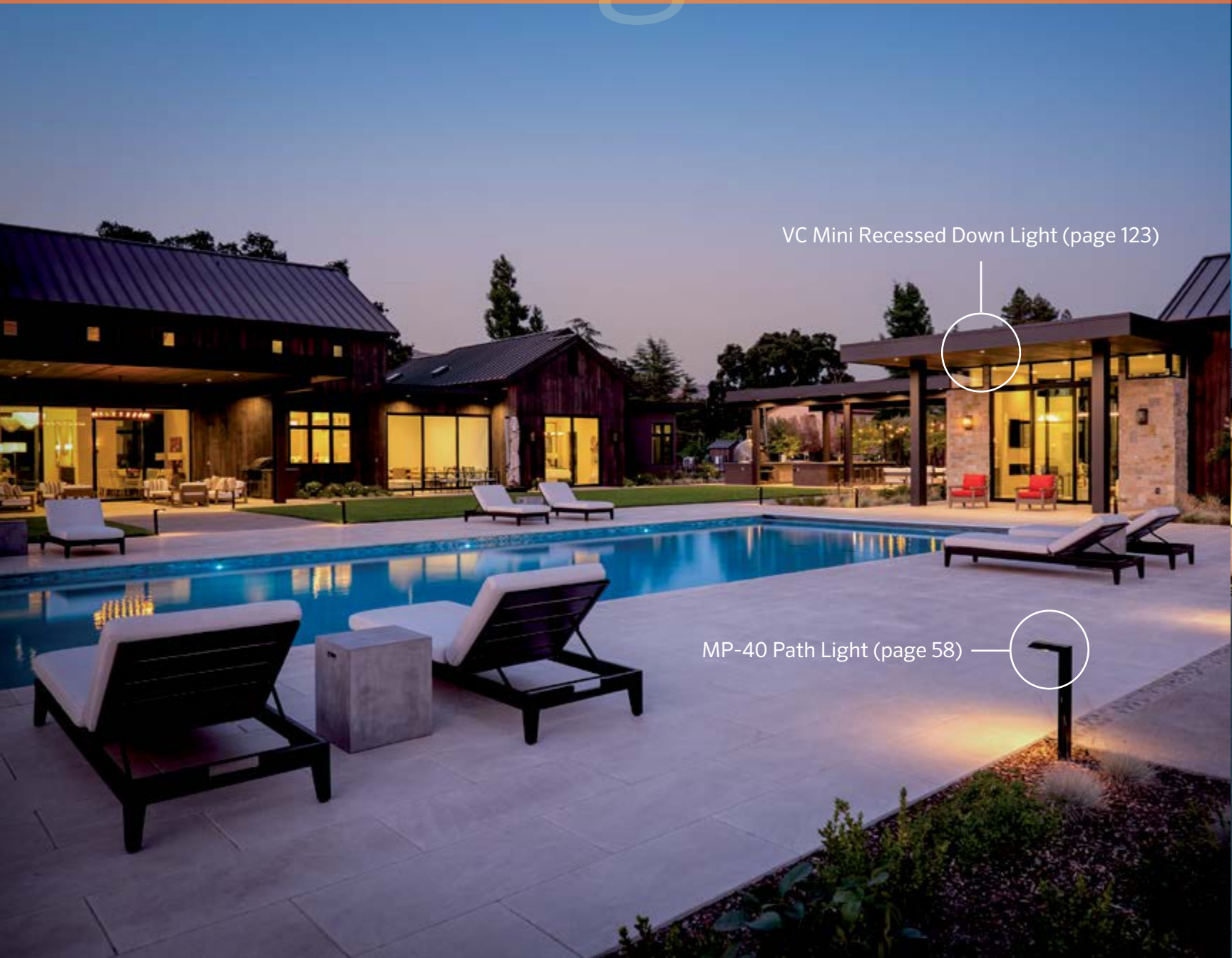
RUNA RW WALL WASH

Light Source	PowerBoard® Integrated LED			
Power	3LED	6LED	9LED	ZDC
Total Lumens (lm)	250	520	720	170-225
Power Consumption (VA)	4.5	9.3	12.2	11.0
LED Color	■	■	■	■
Rated Life, L70 B10 (Hrs)	72,000	72,000	72,000	55,000
Control	● ■ ◆ ◆	● ■ ◆ ◆	● ■ ◆ ◆	◆ ◆ ◆
Beam Angles	WF (50°)	WF (50°)	WF (50°)	WF (50°)
Glare Control	Flush			
Included Components	Large Slot Spike, Lock Ring			
International (CE)	Ground Mount (GM-XX) accessory required			
Finish	BZ, FB, SB, DG, WI, SV, FW			

● On/Off ■ Phase Dimmable ◆ Addressing and Zoning w/Luxor ◆ Luxor Dimming ◆ RGBW Color Changing w/Luxor ■ 2700K ■ RGBW

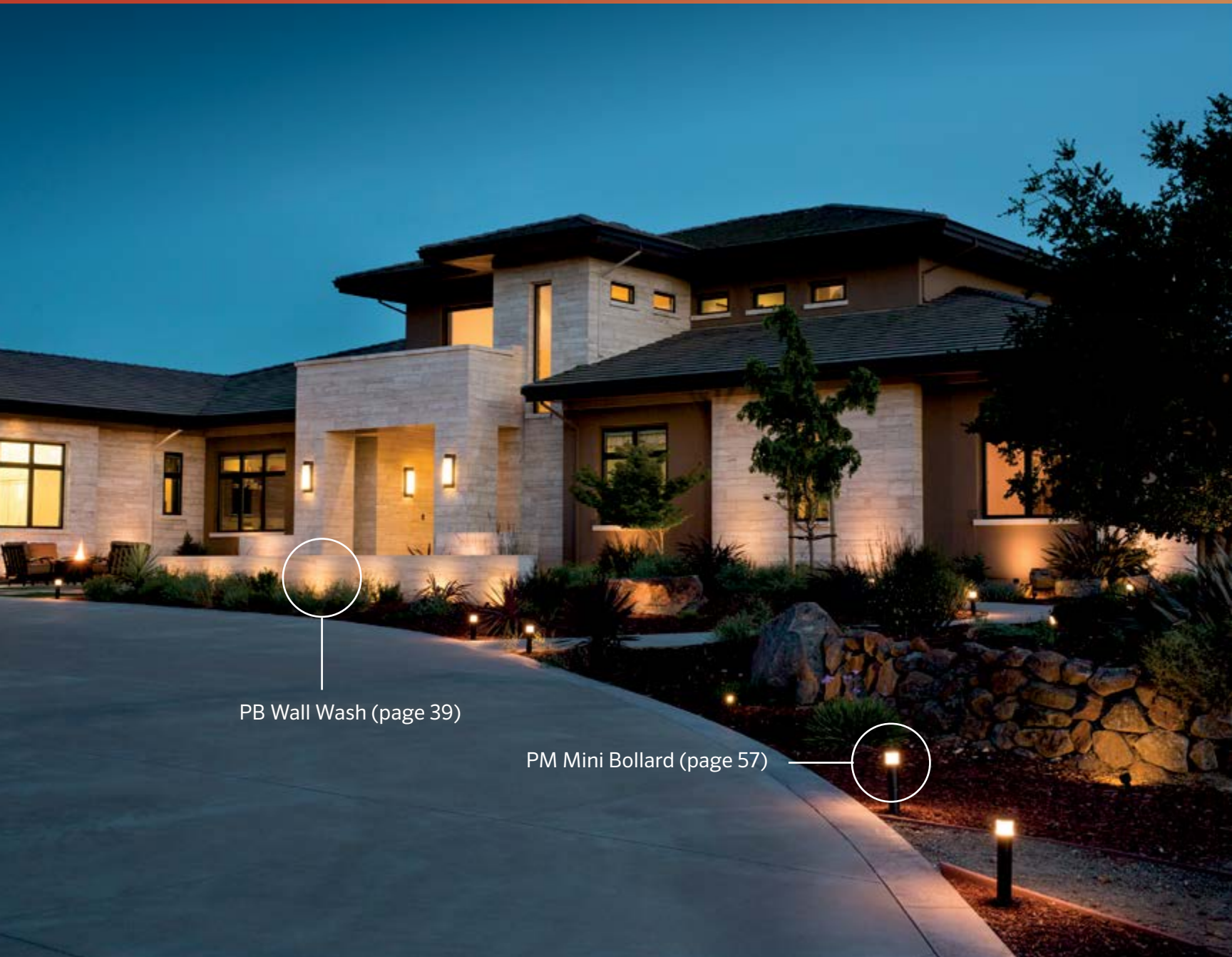


Path Lights



VC Mini Recessed Down Light (page 123)

MP-40 Path Light (page 58)



PB Wall Wash (page 39)

PM Mini Bollard (page 57)

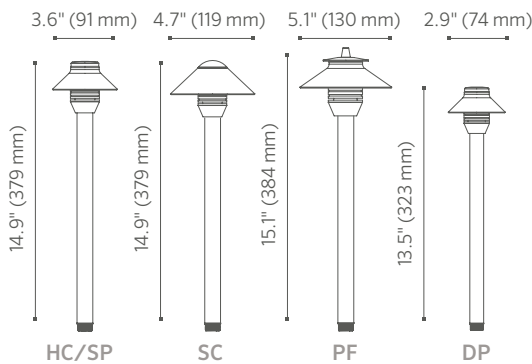
Path lights are a common solution for illuminating walkways, creating ambiance, increasing safety, and highlighting landscape features. Harness the power of path lighting to draw attention to pedestrian hazards, illuminate spaces that down lights or wall-mounted fixtures can't reach, and craft the perfect setting for any outdoor space.



Path Lights

HC, SP, SC, PF, DP

Perfect for tight garden spaces or urban rooftop gardens, these sleek copper and brass path lights offer durability and unmatched beauty.



KEY FEATURES

- Slender luminaire delivers an optimal amount of light exactly where it's needed
- Premium, corrosion-resistant copper and brass construction protects internal and external elements of the fixture
- Built-in Luxor® Technology enables powerline zoning and smooth PWM dimming with the industry-leading Luxor Controller
- Driver on Board Technology layout for compact design and fewer components

	PINNACLE HC, SC, PF PATH LIGHTS	STELLA SP, SC, PF, DP PATH LIGHTS
Light Source	PowerBoard® Integrated LED	G4 LED
Power	1LED	LED20W
Total Lumens (lm)	50-65	25-35
Power Consumption (VA)	2.2	1.3
LED Color	■	■
Rated Life, L70 B10 (Hrs)	72,000	33,000
Control	● ■ ◆ ◆	● ■
Riser Height (in inches)	12R, 18R, 24R	
Included Components	Super Slot Spike	
International (CE)	Ground Mount (GM-XX) accessory required	
Finish	CU, BZ, FB, SB, DG, WI, SV, FW, AB, AT, NP	

● On/Off ■ Phase Dimmable ◆ Addressing and Zoning w/Luxor ◆ Luxor Dimming ■ 2700K

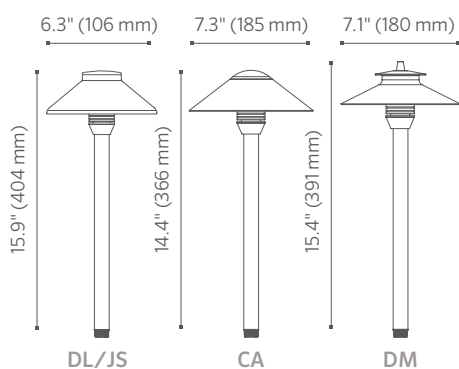




Path Lights

DL, JS, CA, DM

Engineered for mid-sized landscapes, these durable, copper path lights combine the earthy beauty of metals with the modernity of architectural design.



KEY FEATURES

- Premium, corrosion-resistant copper and brass construction protects internal and external elements of the fixture
- Built-in Luxor® Technology enables powerline zoning, smooth dimming, and RGBW color-changing with the Luxor Controller
- Driver on Board Technology layout for compact design and fewer components
- Available in static color temperature, wildlife-friendly, and dynamic RGBW color-changing options

	PINNACLE JS, CA, DM PATH LIGHTS				STELLA DL, CA, DM PATH LIGHTS
Light Source	PowerBoard® Integrated LED				G4 LED
Power	1LED	3LED	3LEDT	ZDC	LED20W
Total Lumens (lm)	70-85	170-210	55-75	70-100	40-85
Power Consumption (VA)	2.2	4.5	4.5	7.2	1.3
LED Color	■	■	■	■	■
Rated Life, L70 B10 (Hrs)	72,000	72,000	50,000	55,000	33,000
Control	● ■ ◆	● ■ ◆ ◆	● ■ ◆ ◆	◆ ◆ ◆	● ■
Riser Height (in inches)	12R, 18R, 24R				
Included Components	Large Slot Spike				
International (CE)	Ground Mount (GM-XX) accessory required				
Finish	CU, BZ, FB, SB, DG, WI, SV, FW, AB, AT, NP				

● On/Off ■ Phase Dimmable ◆ Addressing and Zoning w/Luxor ◆ Luxor Dimming ◆ RGBW Color Changing w/Luxor ■ 2700K ■ Wildlife-Friendly ■ RGBW

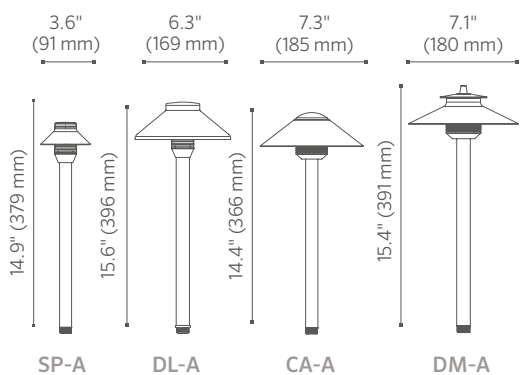




Path Lights

SP-A, DL-A, CA-A, DM-A

These popular aluminum path lights feature precious metals to create a sophisticated richness and elegance that enhances, but never dominates, the garden scene.



KEY FEATURES

- Built with durable, lightweight aluminum housing that withstands any weather condition
- Compatible with the Luxor® Low-Voltage CUBE for powerline zoning and smooth dimming
- Available in a warm (2700K) color temperature
- Available in a wide range of powder-coated finishes to suit all exterior designs and preferences

VANTAGE SP-A, DL-A, CA-A, DM-A PATH LIGHTS

Light Source	G4 LED
Power	LED20W
Total Lumens (lm)	25-85
Power Consumption (VA)	1.3
LED Color	■
Rated Life, L70 B10 (Hrs)	33,000
Control	● ■
Riser Height (in inches)	12R, 18R, 24R
Included Components	Large Slot Spike
International (CE)	Ground Mount (GM-XX) accessory required
Finish	BZ, FB, SB, DG, WI, SV, FW

● On/Off ■ Phase Dimmable ■ 2700K





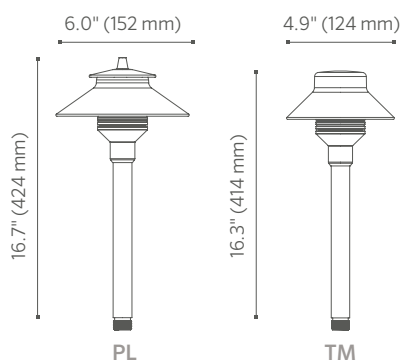
TM



PL

PL, TM

Designed for mid-sized landscapes, these stylish path lights feature a wider angle for broad lighting of large spaces along with a small cap that doesn't compromise on illumination.



KEY FEATURES

- Built with durable, lightweight aluminum housing that withstands any weather condition
- Built-in Luxor® Technology enables powerline zoning, smooth dimming, and RGBW color-changing with the Luxor Controller
- Available in static color and dynamic RGBW color-changing options
- Available in a wide range of powder-coated finishes to suit all exterior designs and preferences

	DESIGNER PL, TM PATH LIGHTS			VANTAGE PL, TM PATH LIGHTS
Light Source	PowerBoard® Integrated LED			G4 LED
Power	1LED	3LED	ZDC	LED20W
Total Lumens (lm)	65	165-185	55-130	35
Power Consumption (VA)	2.2	4.5	7.2	1.3
LED Color	■	■	■	■
Rated Life, L70 B10 (Hrs)	72,000	72,000	55,000	33,000
Control	● ■ ◆	● ■ ◆ ◆	◆ ◆ ◆	● ■
Riser Height (in inches)	12R, 18R, 24R			
Included Components	Large Slot Spike			
International (CE)	Ground Mount (GM-XX) accessory required			
Finish	BZ, FB, SB, DG, WI, SV, FW			

● On/Off ■ Phase Dimmable ◆ Addressing and Zoning w/Luxor ◆ Luxor Dimming ◆ RGBW Color Changing w/Luxor ■ 2700K ■ RGBW

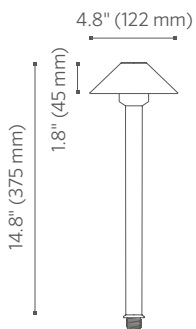




EP-31

EP-31

Ideal for any path or area lighting project, the 15" (387 mm) Evo EP-31 Petite Path Light features a small footprint along with a globe-style lens and built-in shade reflector for optimum lumen output.



KEY FEATURES

- Eco-friendly, composite construction minimizes environmental impact
- Slender luminaire delivers an optimal amount of light exactly where it's needed
- Built with UV-tested, corrosion-proof materials to withstand coastal areas with saline environments
- Compatible with the Luxor® Low-Voltage CUBE for powerline zoning and smooth dimming

EVO EP-31 PETITE PATH LIGHT

Light Source	G4 LED
Power	E2W
Total Lumens (lm)	125
Power Consumption (VA)	1.3
LED Color	■
Rated Life, L70 B10 (Hrs)	33,000
Control	● ■
Included Installation Components	Super Slot Spike
International (CE)	Specified "E" Configuration
Finish	BC

● On/Off ■ Phase Dimmable ■ 2700K





CP-L

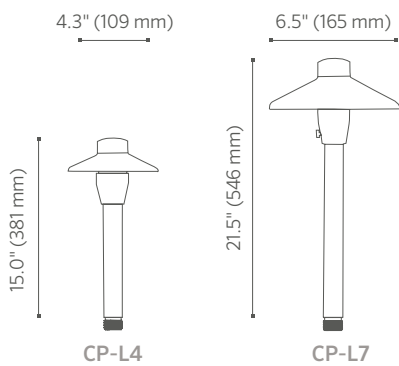
CP-L4, CP-L7

Made with durable, select brass, these compact path lights are the perfect additions to projects for budget-conscious clients. Due to their corrosion-resistant construction, they're especially at home in coastal regions.



CP-L4

CP-L7



KEY FEATURES

- Select brass construction and black oxide stainless steel hardware deliver strong corrosion resistance, increased durability, and an elegant look
- Compatible with the Luxor® Low-Voltage CUBE for powerline zoning and smooth dimming
- Available in a warm (2700K) color temperature
- Antique bronze finish provides increased durability and elegant look

CORA CP-L4 PETITE PATH LIGHT & CORA CP-L7 PATH LIGHT

Light Source	G4 LED
Power	LED20W
Total Lumens (lm)	45
Power Consumption (VA)	1.3
LED Color	■
Rated Life, L70 B10 (Hrs)	33,000
Control	● ■
Included Components	Large Slot Spike
International (CE)	North America Only
Finish	AB

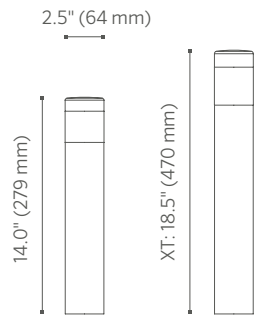
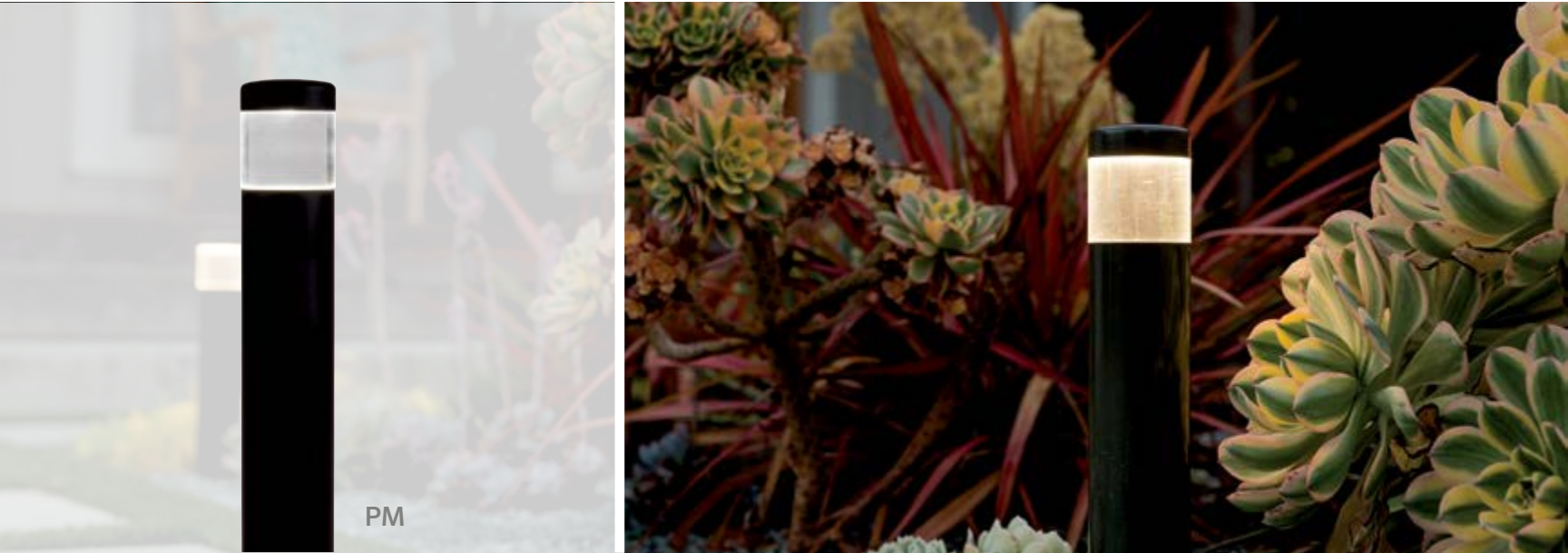
● On/Off ■ Phase Dimmable ■ 2700K





PM

Featuring bold lines and an aluminum alloy construction, the commercial PM is a modern bollard that’s as durable as it is attractive.



KEY FEATURES

- Crafted from sturdy die-cast and extruded aluminum, ensuring resilience and longevity
- Minimal visible hardware for a clean and elegant design, day or night
- Built-in Luxor® Technology enables powerline zoning, smooth dimming, and RGBW color-changing with the Luxor Controller
- Available in static color and dynamic RGBW color-changing options

RUNA PM MINI BOLLARD

Light Source	PowerBoard® Integrated LED					MR-16 LED Lamp		
	1LED	3LED	6LED	9LED	ZDC	LED20WWF	LED35WWF	ZD35WWF
Power								
Total Lumens (lm)	85	200	365	505	75-260	35	50	50
Power Consumption (VA)	2.2	4.5	9.3	12.2	11.0	4.3	5.4	5.4
LED Color	■	■	■	■	■	■	■	■
Rated Life, L70 B10 (Hrs)	72,000	72,000	72,000	72,000	55,000	40,000	40,000	40,000
Control	● ■ ◆ ◆	● ■ ◆ ◆	● ■ ◆ ◆	● ■ ◆ ◆	◆ ◆ ◆ ◆	● ■	● ■	◆ ◆
Height	Standard, Extra Tall (XT)					Standard		
Included Components	Large Slot Spike							
International (CE)	Specified “E” Configuration							
Finish	BZ, FB, SB, DG, WI, FW, SV							

● On/Off ■ Phase Dimmable ◆ Addressing and Zoning w/Luxor ◆ Luxor Dimming ◆ RGBW Color Changing w/Luxor ■ 2700K ■ RGBW





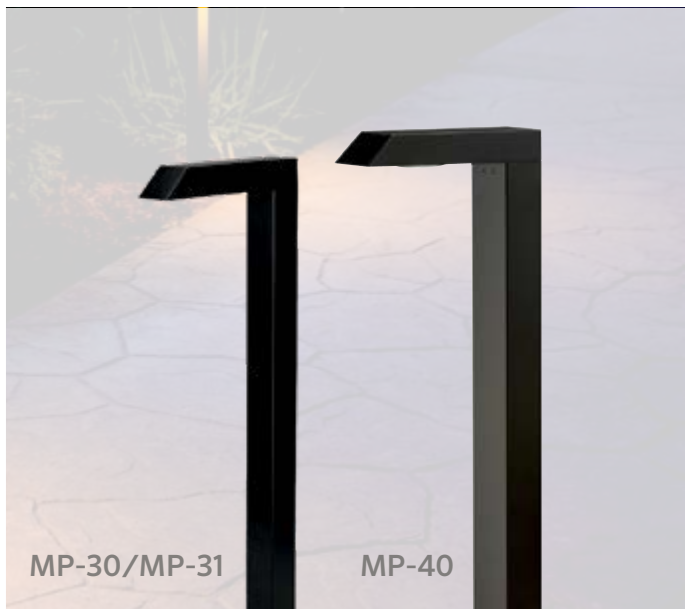
MP-30, 31



MP-40

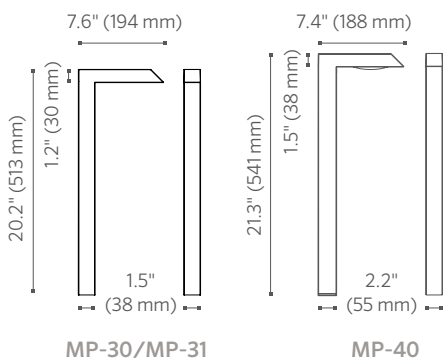
MP-30, MP-31, MP-40

For distinct aesthetics that outlast the elements, elevate your outdoor space with the integrated MP-30, the lamped MP-31, or the larger, integrated MP-40.



MP-30/MP-31

MP-40



KEY FEATURES

- Crafted from sturdy die-cast and extruded aluminum, ensuring resilience and longevity
- Built-in Luxor® Technology enables powerline zoning, smooth dimming, and RGBW color-changing with the Luxor Controller
- Extra-long, standard conduit with stabilizer enables ground mounting in any environment
- Driver on Board Technology layout for compact design and fewer components

	MODERN MP-30 PATH LIGHT			MODERN MP-31		MODERN MP-40 PATH LIGHT		
Light Source	PowerBoard® Integrated LED			G4 LED		PowerBoard® Integrated LED		
Power	1LED	1LEDT	ZDC	E2S	E2W	1LED	1LEDT	ZDC
Total Lumens (lm)	60	50	55	50	50	115	50	40- 85
Power Consumption (VA)	2.2	2.2	4.3	1.3	1.3	2.2	2.2	4.3
LED Color	■ ■	■	■ ■ ■	■	■	■ ■	■	■ ■ ■
Rated Life, L70 B10 (Hrs)	72,000	50,000	55,000	33,000	33,000	72,000	50,000	55,000
Control	● ■ ◆ ◆	● ■ ◆ ◆	◆ ◆ ◆	● ■	● ■	● ■ ◆ ◆	● ■ ◆ ◆	◆ ◆ ◆
Included Components	¾" Conduit, Conduit Stabilizer, Hex Key					1" (25 mm) Conduit, Conduit Stabilizer, Hex Key		
International (CE)	Specified "E" Configuration			North America Only		Specified "E" Configuration		
Finish	BZ, FB, SB, DG, WI, FW, SV							

● On/Off ■ Phase Dimmable ◆ Addressing and Zoning w/Luxor ◆ Luxor Dimming ◆ RGBW Color Changing w/Luxor ■ 2700K ■ 3000K ■ Wildlife-Friendly ■ RGBW





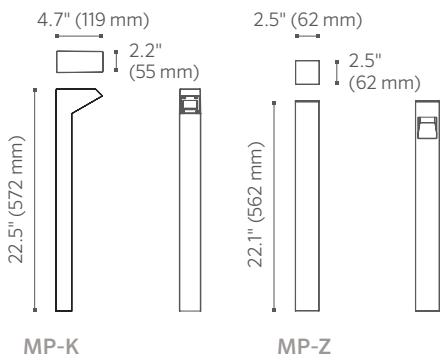
MP-Z



MP-K

MP-K, MP-Z

Made with durable die-cast aluminum, the stylish MP-K and MP-Z Path Lights add elegance and sophistication to modern lighting installations.



KEY FEATURES

- Crafted from sturdy die-cast and extruded aluminum, ensuring resilience and longevity
- Minimal visible hardware for a clean and elegant design, day or night
- Built-in Luxor® Technology enables powerline zoning, smooth dimming, and RGBW color-changing with the Luxor Controller
- Extra-long, standard conduit with stabilizer enables ground mounting in any environment

	MODERN MP-K PATH LIGHT			MODERN MP-Z PATH LIGHT		
Light Source	PowerBoard® Integrated LED					
Power	1LED	3LED	ZDC	1LED	3LED	ZDC
Total Lumens (lm)	100	245	110-265	50	185	60-145
Power Consumption (VA)	2.2	4.5	7.2	2.2	4.5	7.2
LED Color	■	■	■	■	■	■
Rated Life, L70 B10 (Hrs)	72,000	72,000	55,000	72,000	72,000	55,000
Control	● ■ ◆	● ■ ◆ ◆	◆ ◆ ◆	● ■ ◆	● ■ ◆ ◆	◆ ◆ ◆
Height	22.5" (572 mm)			22.1" (562 mm)		
Included Components	¾" Conduit, Conduit Stabilizer, Hex Key			1" Conduit, Conduit Stabilizer, Hex Key		
International (CE)	Specified "E" Configuration					
Finish	BZ, FB, SB, DG, WI, FW, SV					

● On/Off ■ Phase Dimmable ◆ Addressing and Zoning w/Luxor ◆ Luxor Dimming ◆ RGBW Color Changing w/Luxor ■ 2700K ■ RGBW



MP-J

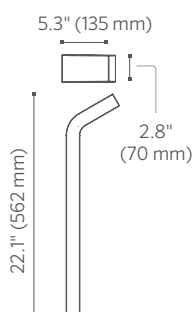
Constructed of durable aluminum that stands up to the elements, the MP-J Path Light adds style and functionality to modern installations.



MP-J



MP-J



KEY FEATURES

- Crafted from sturdy die-cast and extruded aluminum, ensuring resilience and longevity
- Built-in Luxor® Technology enables powerline zoning, smooth dimming, and RGBW color-changing with the Luxor Controller
- Extra-long, standard conduit with stabilizer enables ground mounting in any environment
- Driver on Board Technology layout for compact design and fewer components

MODERN MP-J PATH LIGHT

Light Source	PowerBoard® Integrated LED			
Power	1LED	3LED	6LED	ZDC
Total Lumens (lm)	100	265	500	185-440
Power Consumption (VA)	2.2	4.5	9.3	11.0
LED Color	■	■	■	■
Rated Life, L70 B10 (Hrs)	72,000	72,000	72,000	55,000
Control	● ■ ◆	● ■ ◆ ◆	● ■ ◆ ◆	◆ ◆ ◆
Height	22.1" (562 mm)			
Included Components	¾" Conduit, Conduit Stabilizer, Hex Key			
International (CE)	Specified "E" Configuration			
Finish	BZ, FB, SB, DG, WI, FW, SV			

● On/Off ■ Phase Dimmable ◆ Addressing and Zoning w/Luxor ◆ Luxor Dimming ◆ RGBW Color Changing w/Luxor ■ 2700K ■ RGBW





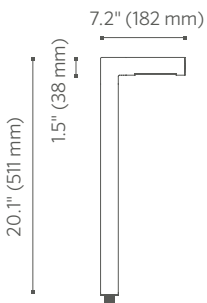
RP-32, 33

RP-32, RP-33

Combining a durable, die-cast aluminum construction with a contemporary design, these sleek, tubular fixtures offer a small footprint with a rotational head for optimal lighting control from every angle.



RP-32/RP-33



KEY FEATURES

- Crafted from sturdy die-cast and extruded aluminum, ensuring resilience and longevity
- Built-in Luxor® Technology enables powerline zoning, smooth dimming, and RGBW color-changing with the Luxor Controller
- Conduit Stabilizer and standard 3/4" conduit provide extra stability for ground mounting in any environment

	RUNA RP-32 PATH LIGHT			RUNA RP-33 PATH LIGHT	
Light Source	PowerBoard® Integrated LED			G4 LED	
Power	1LED	1LEDT	ZDC	E2W	E2S
Total Lumens (lm)	55	45	50-60	50	55
Power Consumption (VA)	2.2	2.2	4.3	1.3	1.3
LED Color	■ ■	■	■ ■ ■	■	■
Rated Life, L70 B10 (Hrs)	72,000	50,000	55,000	33,000	33,000
Control	● ■ ◆ ◆	● ■ ◆ ◆	◆ ◆ ◆	● ■	● ■
Included Components	3/4" Conduit, Conduit Stabilizer				
International (CE)	Specified "E" Configuration			North America Only	
Finish	BZ, FB, SB, DG, WI, SV, FW				

● On/Off ■ Phase Dimmable ◆ Addressing and Zoning w/Luxor ◆ Luxor Dimming ◆ RGBW Color Changing w/Luxor ■ 2700K ■ 3000K ■ Wildlife-Friendly ■ RGBW

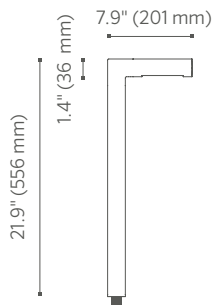
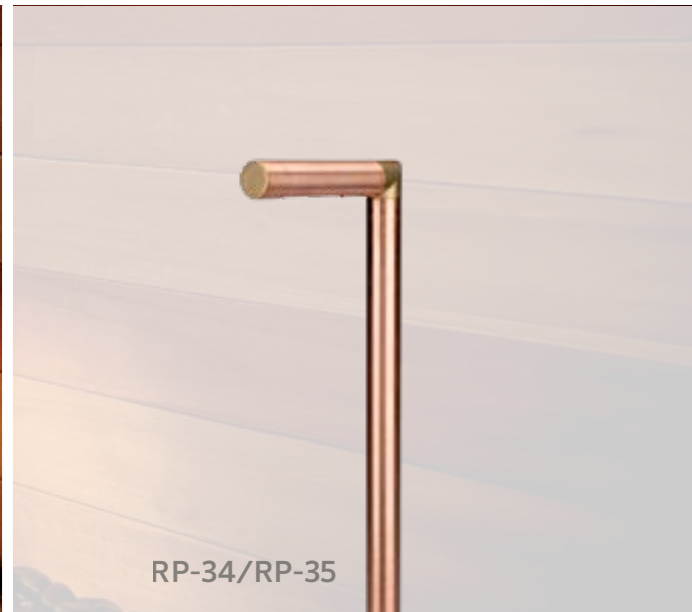
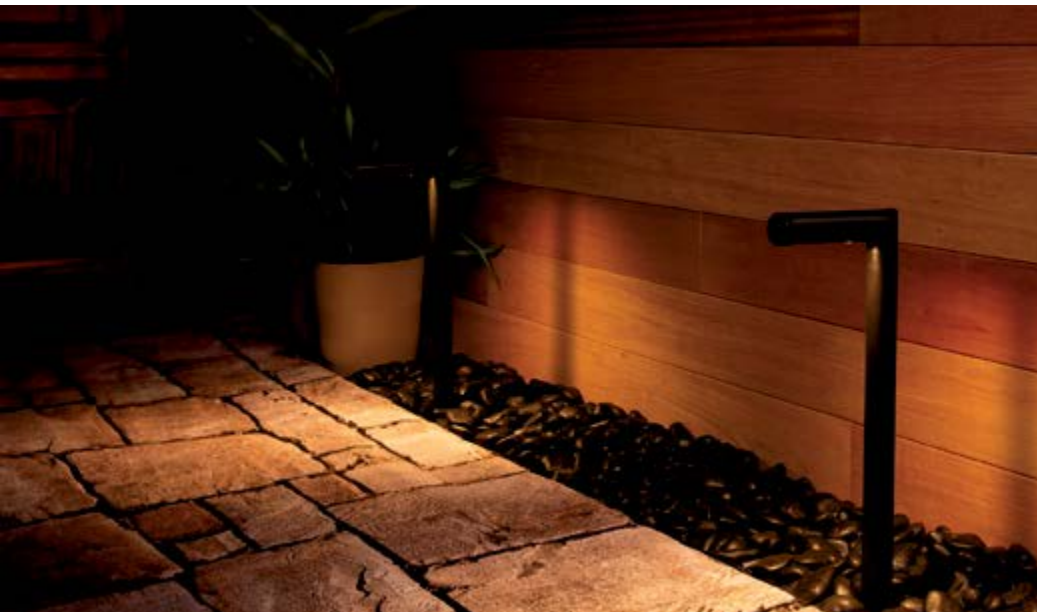




RP-34, 35

RP-34, RP-35

The RP-34 and RP-35 Path Lights are made with premium copper for lasting durability against corrosion and a sleek, minimalist design for a rich, aged appearance in the landscape.



KEY FEATURES

- Premium, corrosion-resistant copper and brass construction protects internal and external elements of the fixture
- Built-in Luxor® Technology enables powerline zoning, smooth dimming, and RGBW color-changing with the Luxor Controller
- Conduit Stabilizer and standard 3/4" conduit provide extra stability for ground mounting in any environment

	RUNA RP-34 PATH LIGHT			RUNA RP-35 PATH LIGHT	
Light Source	PowerBoard® Integrated LED			G4 LED	
Power	1LED	1LEDT	ZDC	E2W	E2S
Total Lumens (lm)	45	40	40-45	50	55
Power Consumption (VA)	2.2	2.2	4.3	1.3	1.3
LED Color	■ ■	■	■ ■ ■	■	■
Rated Life, L70 B10 (Hrs)	72,000	50,000	55,000	33,000	33,000
Control	● ■ ◆ ◆	● ■ ◆ ◆	◆ ◆ ◆	● ■	● ■
Included Components	3/4" Conduit, Conduit Stabilizer, Threaded Adapter, and Large Slotted Stake				
International (CE)	Specified "E" Configuration			North America Only	
Finish	CU, BZ, FB, SB, DG, WI, SV, FW, AB, AT				

● On/Off ■ Phase Dimmable ◆ Addressing and Zoning w/Luxor ◆ Luxor Dimming ◆ RGBW Color Changing w/Luxor ■ 2700K ■ 3000K ■ Wildlife-Friendly ■ RGBW





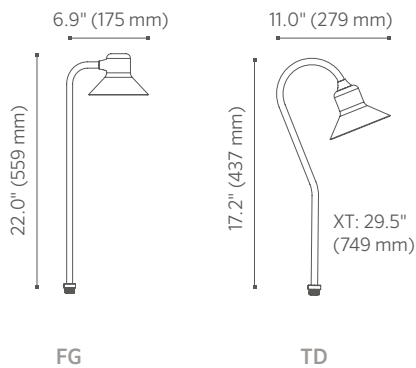
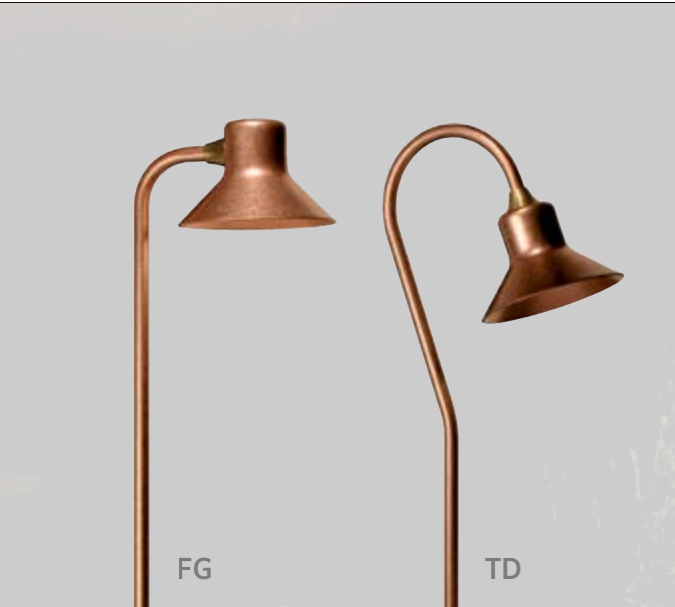
FG



TD

FG, TD

Precision milled from copper and brass for elegance and function, these classic path lights complement a wide range of landscape and architectural styles to outlast any trend.



KEY FEATURES

- Premium, corrosion-resistant copper and brass construction protects internal and external elements of the fixture
- Decorative style for directional path lighting
- Available in static color temperature, wildlife-friendly, and dynamic RGBW color-changing options

GARDEN FG AND TD DIRECTIONAL PATH LIGHTS

Light Source	PowerBoard® Integrated LED					Incandescent Lamp
	1LED	3LED	6LED	9LED	ZDC	SCB Lamp
Power	120-125	280-295	540-565	755-845	240-565	110-230
Total Lumens (lm)	120-125	280-295	540-565	755-845	240-565	110-230
Power Consumption (VA)	2.2	4.5	9.3	12.2	11.0	12 W-25 W
LED Color	■	■	■	■	■	■
Rated Life, L70 B10 (Hrs)	72,000	72,000	72,000	72,000	55,000	900 - 1,200
Control	● ■ ◆	● ■ ◆ ◆	● ■ ◆ ◆	● ■ ◆ ◆	◆ ◆ ◆ ◆	● ■
Height	Standard, Extra Tall (TD only)					
Included Components	Large Slot Spike					
International (CE)	Ground Mount (GM-XX) accessory required					
Finish	CU, BZ, FB, SB, DG, WI, SV, FW, AB, AT, NP					

● On/Off ■ Phase Dimmable ◆ Addressing and Zoning w/Luxor ◆ Luxor Dimming ■ 2700K ■ RGBW

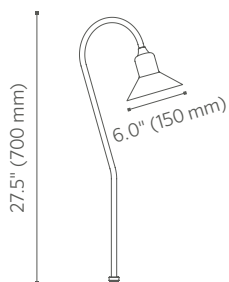




AL

AL

Designed to be tall and slender, the AL is virtually transparent in landscapes. Its asymmetrical, elliptical illumination pattern pushes light forward, making it ideal for area lighting from the perimeter.



KEY FEATURES

- Decorative style for directional path lighting
- Available in a warm (2700K) color temperature
- Available in a wide range of powder-coated finishes to suit all exterior designs and preferences

GARDEN AL DIRECTIONAL PATH LIGHT

Light Source	Incandescent Lamp
Power	SCB Lamp
Total Lumens (lm)	110-230
Power Consumption (VA)	12 W-25 W
LED Color	■
Rated Life, L70 B10 (Hrs)	900 - 1,200
Control	● ■
Included Components	Large Slot Spike
International (CE)	North America Only
Finish	BZ, FB, SB, DG, WI, SV, FW

● On/Off ■ Phase Dimmable ■ 2700K

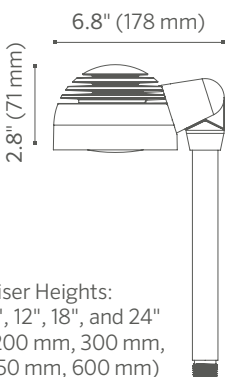




RW

RW

This contemporary fixture highlights landscape features and illuminates walkways for safe passage at night.



Riser Heights:
8", 12", 18", and 24"
(200 mm, 300 mm,
450 mm, 600 mm)

KEY FEATURES

- Built with durable, lightweight aluminum housing that withstands any weather condition
- Delivers soft wash and seamless transitions for enhanced uniformity and a more pleasant visual experience
- Frosted glass lens provides soft, even light distribution
- Built-in Luxor® Technology enables powerline zoning, smooth dimming, and RGBW color-changing with the Luxor Controller

RUNA RW DIRECTIONAL PATH LIGHT

Light Source	PowerBoard® Integrated LED			
Power	3LED	6LED	9LED	ZDC
Total Lumens (lm)	250	520	720	170-225
Power Consumption (VA)	4.5	9.3	12.2	11.0
LED Color	■	■	■	■
Rated Life, L70 B10 (Hrs)	72,000	72,000	72,000	55,000
Control	● ■ ◆ ◆	● ■ ◆ ◆	● ■ ◆ ◆	◆ ◆ ◆
Beam Angles	WF (50°)	WF (50°)	WF (50°)	WF (50°)
Glare Control	Flush			
Included Components	Large Slot Spike, Lock Ring			
International (CE)	Ground Mount (GM-XX) accessory required			
Finish	BZ, FB, SB, DG, WI, SV, FW			

● On/Off ■ Phase Dimmable ◆ Addressing and Zoning w/Luxor ◆ Luxor Dimming ◆ RGBW Color Changing w/Luxor ■ 2700K ■ RGBW

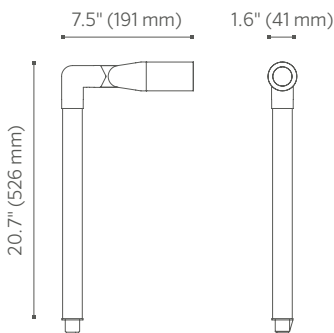
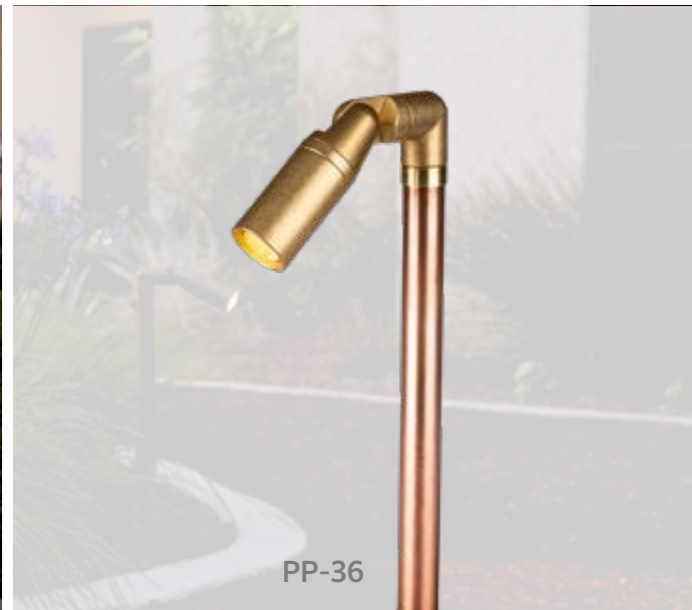




PP-36

PP-36

The PP-36 combines the versatility of an accent light with the functionality and design of a modern path light for total lighting control.



KEY FEATURES

- Fully adjustable knuckle directs light where it's needed most, enhancing the beauty of outdoor spaces while increasing the safety and visibility of walkways
- 360° shield and a preinstalled hex baffle prevent glare
- Compatible with Luxor® Technology for zoning and smooth dimming
- Premium brass Post Mount and machined conduit cap provide extra stability

PINNACLE PP-36 DIRECTIONAL PATH LIGHT

Light Source	PowerBoard® Integrated LED			
Power	1LED	3LED	3LEDT	ZDC
Total Lumens (lm)	-	240	240	195-240
Power Consumption (VA)	2.2	4.5	4.5	7.2
LED Color	■ ■	■ ■	■	■ ■ ■
Rated Life, L70 B10 (Hrs)	72,000	72,000	50,000	55,000
Control	● ■ ◆	● ■ ◆ ◆	● ■ ◆ ◆	◆ ◆ ◆
Beam Angles	FL (45°)	FL (45°)	FL (45°)	FL (45°)
Glare Control	1" Straight Cutoff Shroud			
Included Components	Hex Louver, Post Mount and Hex Key			
International (CE)	Specified "E" Configuration			
Finish	BS, BZ, FB, SB, DG, WI, SV, FW, AB, AT			

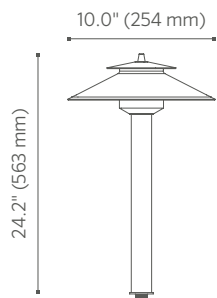
● On/Off ■ Phase Dimmable ◆ Addressing and Zoning w/Luxor ◆ Luxor Dimming ◆ RGBW Color Changing w/Luxor ■ 2700K ■ Wildlife-Friendly ■ RGBW





GN

Made of durable copper and brass, the elegant GN Path Light is built to withstand the rigors of high-traffic areas and inclement weather. Combining visual appeal with controlled illumination and glare control, this sturdy fixture has what it takes to tackle any challenge.



Riser Heights: 18" (415 mm), 24" (600 mm), and 36" (915 mm)

KEY FEATURES

- Premium, corrosion-resistant copper and brass construction protects internal and external elements of the fixture
- Compatible with the Luxor® Low-Voltage CUBE for powerline zoning and smooth dimming
- Available in a warm (2700K) color temperature

STELLA GN GRANDE PATH LIGHT

Light Source	G4 LED
Power	LED20W
Total Lumens (lm)	55
Power Consumption (VA)	1.3
LED Color	■
Rated Life, L70 B10 (Hrs)	33,000
Control	● ■
Riser Height (inches)	18R, 24R, 36R
Included Components	Large Slot Spike
International (CE)	Ground Mount (GM-XX) accessory required
Finish	CU

● On/Off ■ Phase Dimmable ■ 2700K





DS



DR

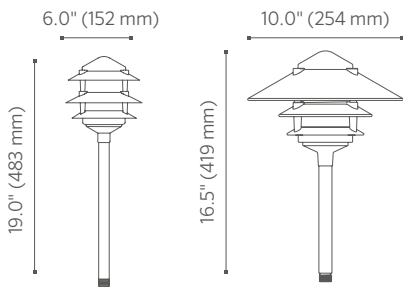
DS, DR

For high-traffic areas where durability is a must, the proven design of the DS and DR Path Lights offers controlled, glare-free illumination, long field life, and easy repairs.



DS

DR



Additional Risers: 18.0" (457 mm), 24.0" (610 mm)

DS

DR

KEY FEATURES

- Built with durable, lightweight aluminum housing that withstands any weather condition
- Compatible with the Luxor® Low-Voltage CUBE for powerline zoning and smooth dimming
- Available in a wide range of powder-coated finishes to suit all exterior designs and preferences

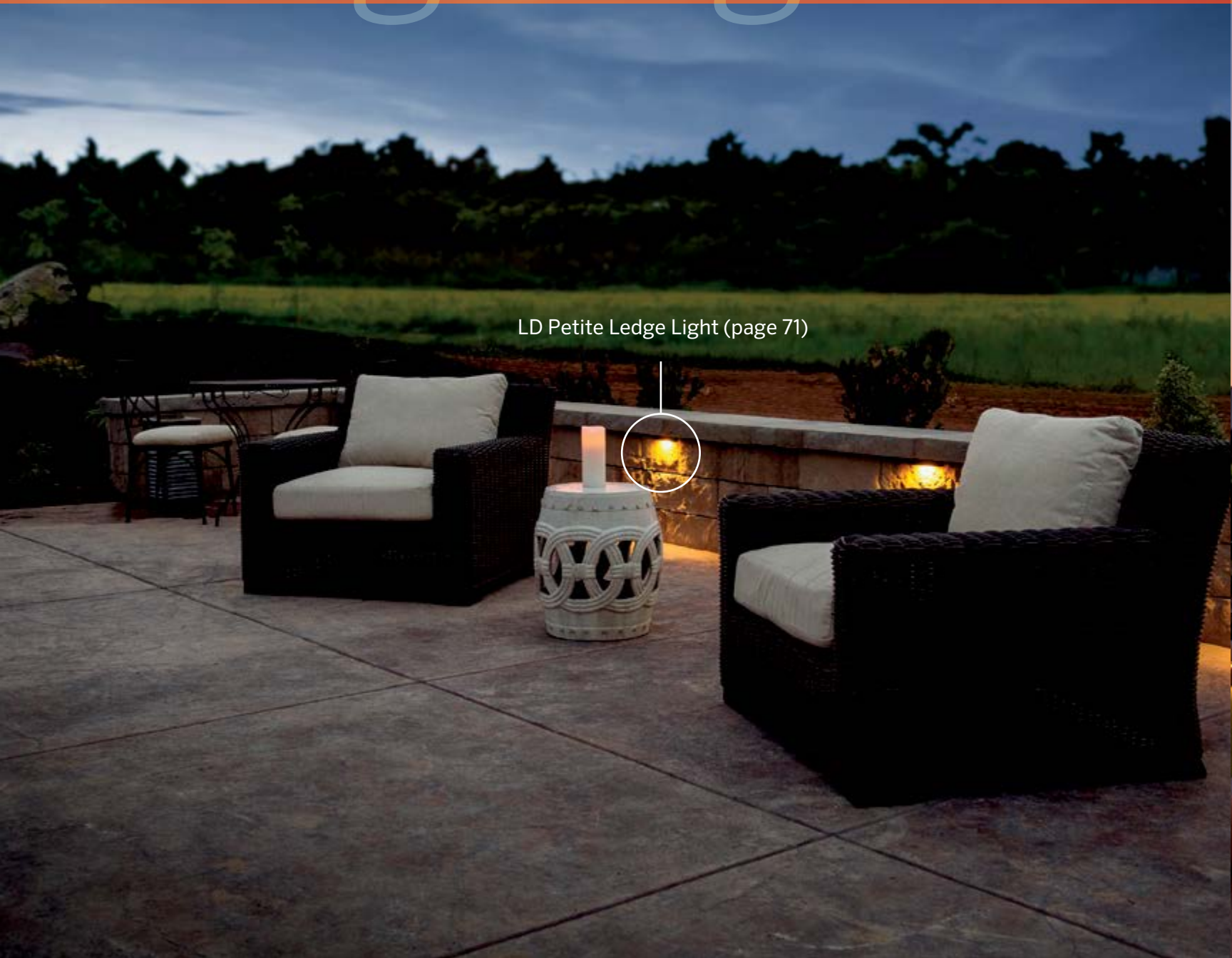
GARDEN DS PATH LIGHT AND GARDEN DR PATH LIGHTS

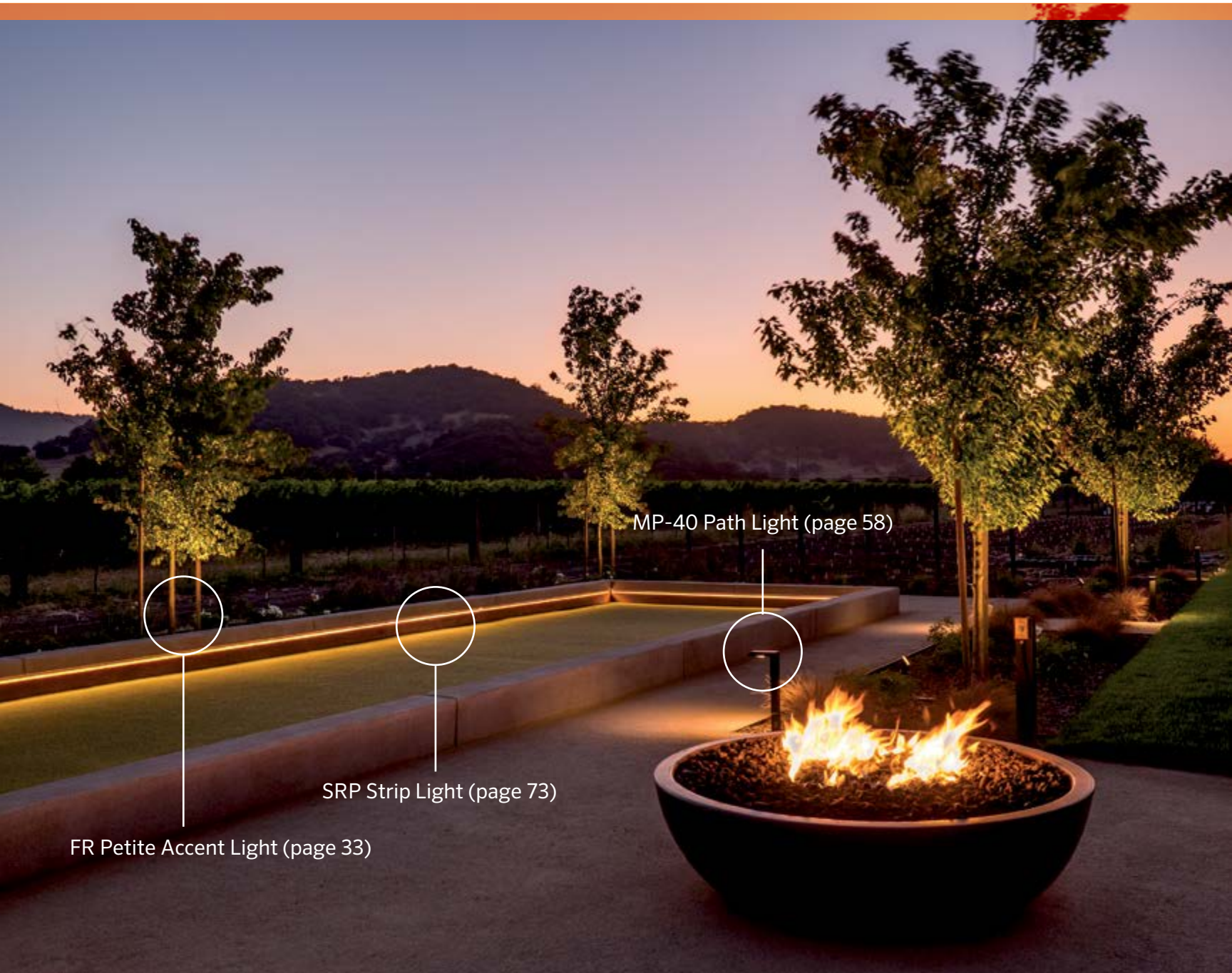
Light Source	G4 LED
Power	No Preinstalled Lamp
Total Lumens (lm)	-
Power Consumption (VA)	-
LED Color	-
Rated Life, L70 B10 (Hrs)	-
Control	-
Riser Height (inches)	12R, 18R, 24R
Included Components	Large Slot Spike
International (CE)	North America Only
Finish	BZ, FB, SB, DG, WI, SV, FW



Ledge Lights

LD Petite Ledge Light (page 71)





FR Petite Accent Light (page 33)

SRP Strip Light (page 73)

MP-40 Path Light (page 58)

Seamlessly illuminate hardscape elements with ledge lights. Offering easy installation and a low-profile design, these fixtures are an ideal solution for enhancing walls, posts, stairs, and other hardscape features with the perfect blend of safety and sophistication.



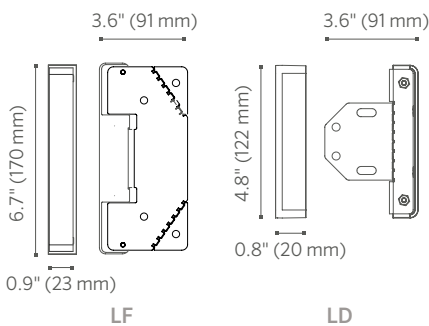
LD



LF

LF, LD

The LF's modular bracket design is ideal for clean, under-the-cap hardscape installs while the LD features a snap-on lens that speeds installation and simplifies service.



KEY FEATURES

- Slender luminaire delivers an optimal amount of light exactly where it's needed
- Built-in Luxor® Technology enables powerline zoning, smooth dimming, and RGBW color-changing with the Luxor Controller
- Surface-mounted with stainless steel hardware
- Available in static color and dynamic RGBW color-changing options

	DESIGNER LF LEDGE LIGHT		VANTAGE LD PETITE LEDGE LIGHT
Light Source	PowerBoard® Integrated LED		G4 LED Lamp
Power	1LED	ZDC	LED20W
Total Lumens (lm)	95	35-85	75
Power Consumption (VA)	2.2	4.3	1.3
LED Color	■	■	■
Rated Life, L70 B10 (Hrs)	72,000	55,000	33,000
Control	● ■ ◆ ◆	◆ ◆ ◆	● ■
Included Components	Mounting Bracket		Mounting Bracket
International (CE)	Specified "E" Configuration		North America Only
Finish	BZ, FB, SB, DG, WI, SV, FW, CU, BS, AB, AT, SS		BZ, FB, SB, DG, WI, SV, FW, CU, AB, AT

● On/Off ■ Phase Dimmable ◆ Addressing and Zoning w/Luxor ◆ Luxor Dimming ◆ RGBW Color Changing w/Luxor ■ 2700K ■ RGBW

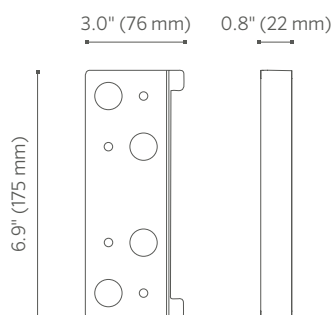
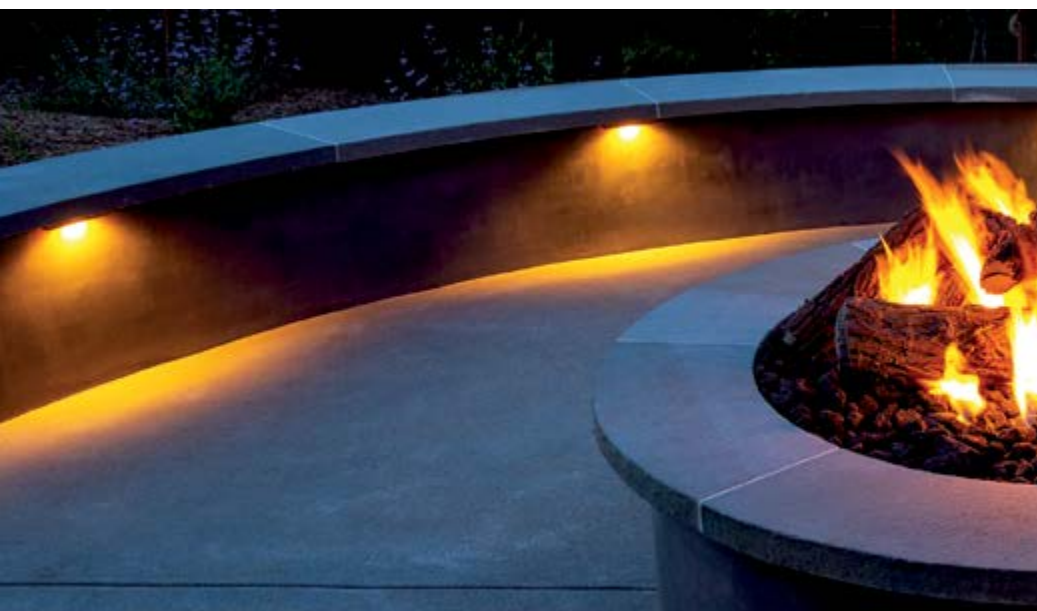




CL-L

CL-L

This compact ledge light is a perfect addition to lighting projects with modest budgets. Because of its corrosion-resistant construction, it's the ideal choice for humid regions.



KEY FEATURES

- Select brass construction and black oxide stainless steel hardware deliver strong corrosion resistance, increased durability, and an elegant look
- Factory-sealed construction
- Compatible with the Luxor® Low-Voltage CUBE for powerline zoning and smooth dimming
- Available in a warm (2700K) color temperature

CORACL-L LEDGE LIGHT

Light Source	Integrated LED
Power	LED20W
Total Lumens (lm)	150
Power Consumption (VA)	4.2
LED Color	■
Rated Life, L70 B10 (Hrs)	33,000
Control	● ■
Included Components	Mounting Bracket
International (CE)	North America Only
Finish	AB

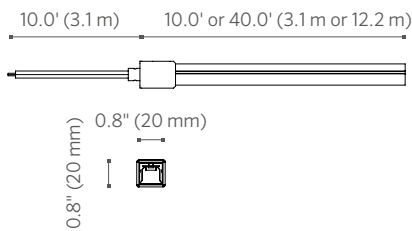
● On/Off ■ Phase Dimmable ■ 2700K





SRP

Highly versatile, white SRP Strip Lights are constructed with extruded silicone to provide superior protection against tough outdoor conditions.



KEY FEATURES

- Handy 2" (51 mm) cut marks provide precision customization
- Available in warm (2700K) and soft (3000K) color temperature options
- IP65 rating for reliable performance
- Compatible with the Luxor® Low-Voltage CUBE for zoning and dimming

MODERN SRP STRIP LIGHT

Light Source	Integrated LED
Total Lumens (lm)	25 lm every 12" (300 mm)
Power Consumption (VA)	1 VA every 12" (300 mm)
LED Color	■ ■
Rated Life, L70 B10 (Hrs)	50,000
Control	● ■
Accessories	Mounting Clips, Splice Clamps, Jumper Cables
International (CE)	CE Compliant

● On/Off ■ Phase Dimmable ■ 2700K ■ 3000K





SRP RGBW

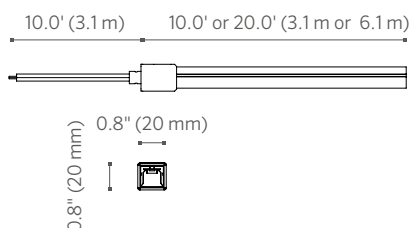
MODERN COLLECTION

SRP RGBW

These vibrant and versatile strip lights make it easy to add color to stair ledges, outdoor patios, hardscape elements, and more.



SRP RGBW



KEY FEATURES

- Handy 2" (51 mm) cut marks provide precision customization
- Total RGBW control; SRP-CC Strip Light Color Controller required
- IP65 rating for reliable performance
- Two convenient control options: Standalone or Luxor Mode

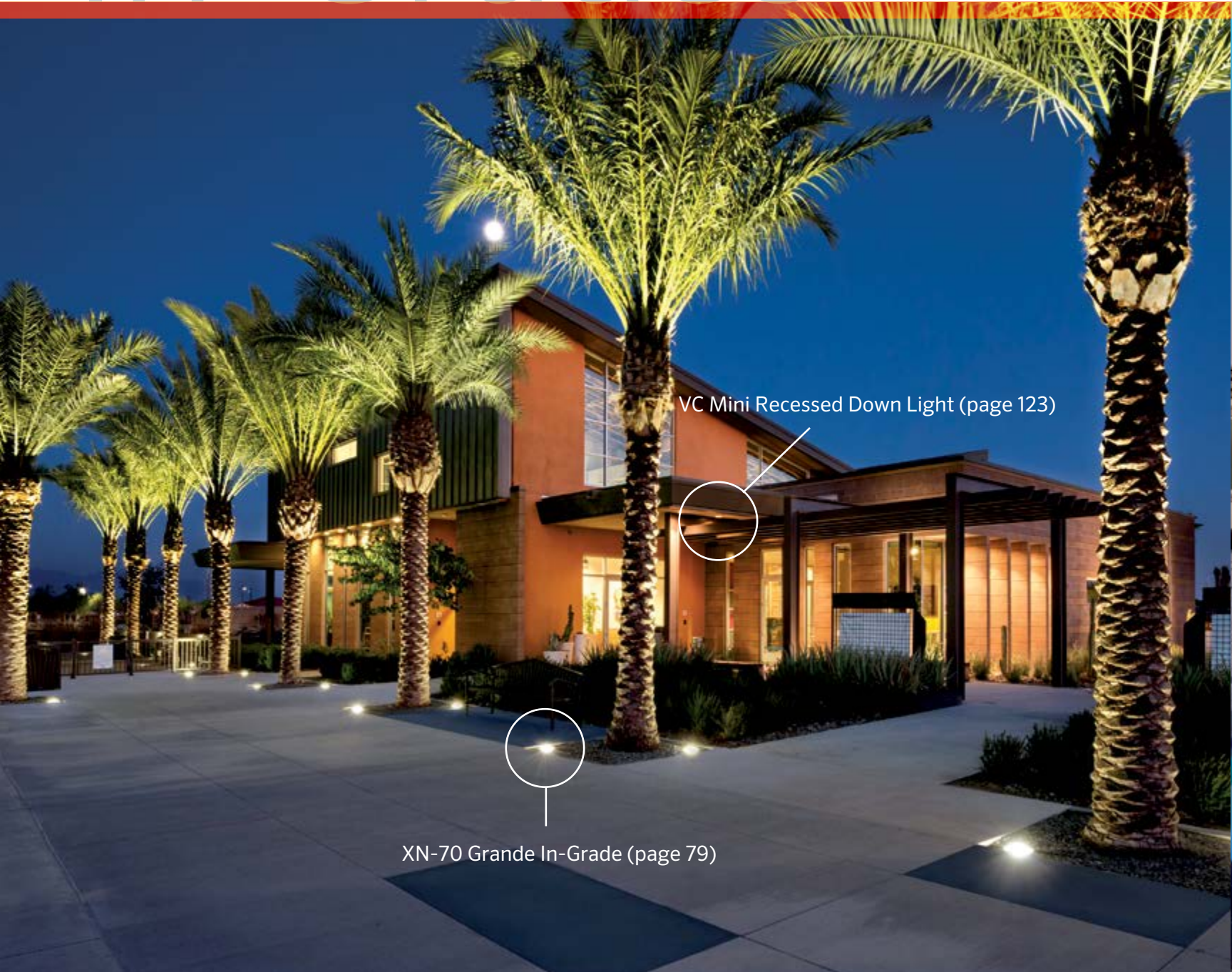
MODERN SRP RGBW STRIP LIGHT

Light Source	Integrated LED
Total Lumens (lm)	25-30 lm every 12" (300 mm)
Power Consumption (VA)	3 VA every 12" (300 mm)
LED Color	
Rated Life, L70 B10 (Hrs)	50,000
Control	● ■ ◆ ◆ ◆
Required Components	SRP-CC Controller
Accessories	Mounting Clips, Splice Clamps, Jumper Cables
International (CE)	CE Compliant

● On/Off ■ Phase Dimmable ◆ Addressing and Zoning w/Luxor ◆ Luxor Dimming ◆ RGBW Color Changing w/Luxor RGBW

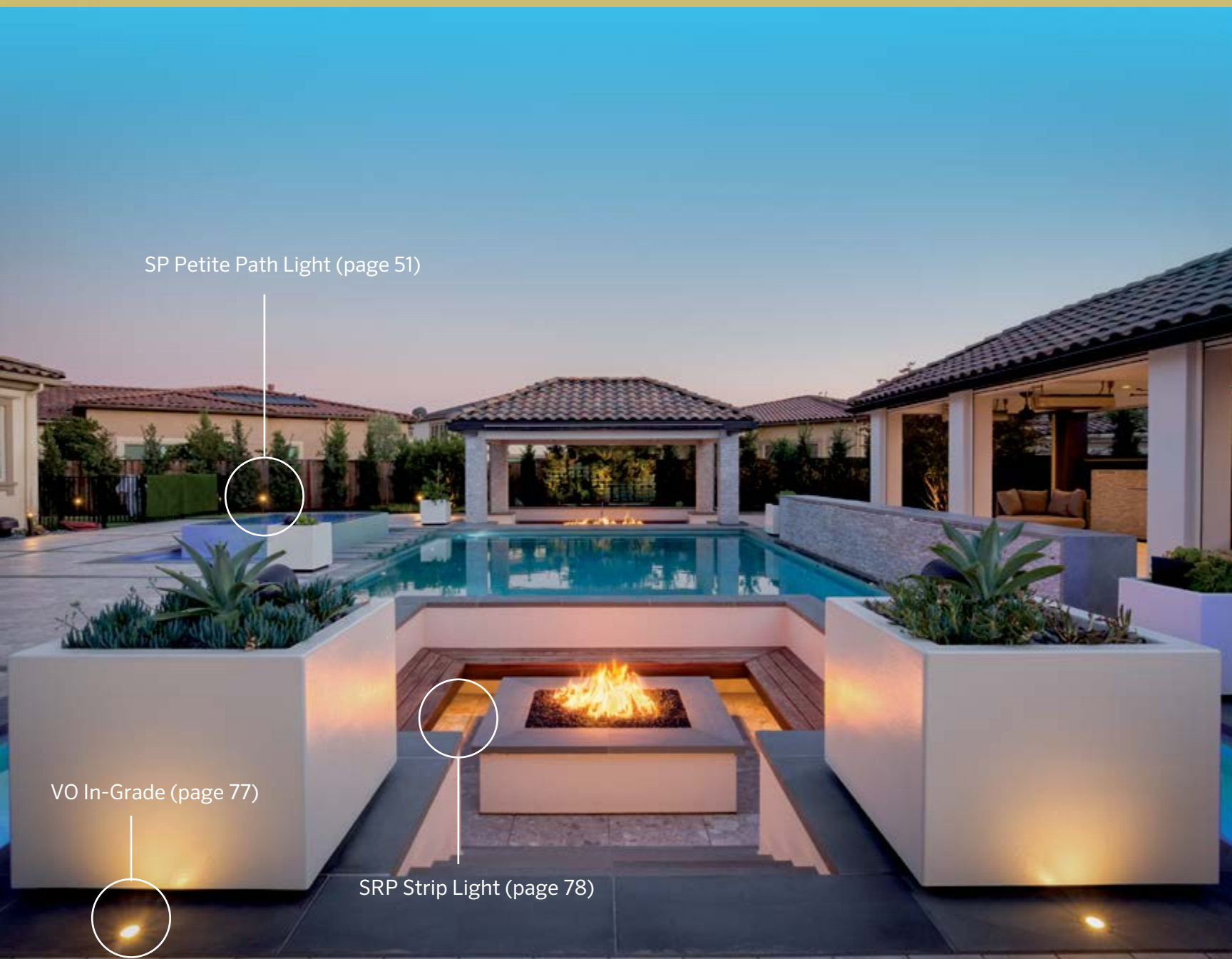


In-Grades



VC Mini Recessed Down Light (page 123)

XN-70 Grande In-Grade (page 79)



SP Petite Path Light (page 51)

VO In-Grade (page 77)

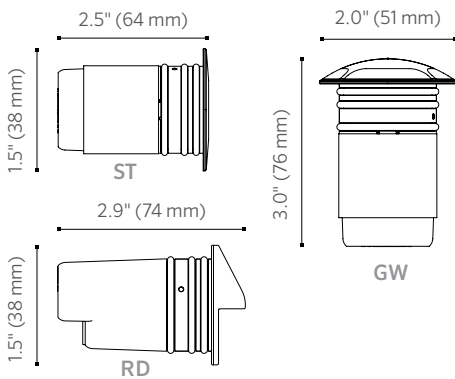
SRP Strip Light (page 78)

Perfect for areas with high traffic or frequent maintenance needs, in-grades combine durable performance with unobtrusive design. Use these robust fixtures to illuminate the perimeter of a property for enhanced security, prevent tampering and vandalism, and ensure peak performance in hardscape applications.



VO

Featuring premium stainless steel construction and a sturdy installation sleeve, the VO ensures long-lasting performance in a range of settings — from concrete hardscapes to subterranean environments.



KEY FEATURES

- Slender luminaire delivers an optimal amount of light exactly where it's needed
- Constructed from 304 stainless steel material
- Minimal visible hardware for a clean and elegant design, day or night
- Slim, unobtrusive low-profile design offers minimalist aesthetics to accommodate other elements inside the wall
- Utilizes specialized optics for wall- and ground-washing effects

TERRA VO IN-GRADE/WALL LIGHT

	ST (Spot)	RD (Round)	GW-180 (Ground Wash 180°)	GW-360 (Ground Wash 360°)
Light Source	PowerBoard® Integrated LED			
Power	1LED	1LED	1LED	1LED
Total Lumens (lm)	180	100	10	20
Power Consumption (VA)	4.2	4.2	4.2	4.2
LED Color	■	■	■	■
Rated Life, L70 B10 (Hrs)	72,000	72,000	72,000	72,000
Control	● ■ ◆ ◆	● ■ ◆ ◆	● ■ ◆ ◆	● ■ ◆ ◆
Included Components	In-Wall Construction Sleeve, Orange O-Rings for Compatibility with 1.5" Schedule 40 PVC Conduit			
International (CE)	North America Only			
Finish	SS			

● On/Off ■ Phase Dimmable ◆ Addressing and Zoning w/Luxor ◆ Luxor Dimming ■ 2700K

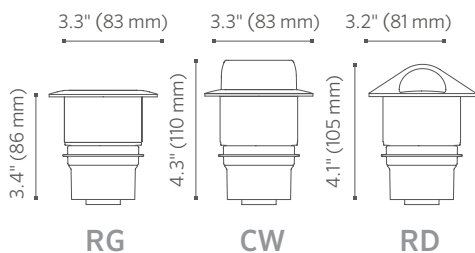


CN-51

The elegant CN-51 is a perfect addition to projects with modest budgets. Its corrosion-resistant, brass construction makes it well-suited for coastal regions and allows it to blend beautifully with the natural landscape.



CN-51



KEY FEATURES

- Select brass construction and black oxide stainless steel hardware deliver strong corrosion resistance, increased durability, and an elegant look
- Minimal visible hardware for a clean and elegant design, day or night
- Utilizes specialized optics for wall- and ground-washing effects
- Built-in, spring-loaded lamp positioning for maximum control over glare and photometry

CORA CN-51 IN-GRADE

Light Source	MR-16 LED Lamp				
Power	ECO20WFL	ECO50WFL	LED20WFL	LED35WFL	LED50WFL
Total Lumens (lm)*	70-315	100-410	55-245	70-285	100-400
Power Consumption (VA)	6.0	8.5	4.3	5.4	6.5
LED Color	■	■	■	■	■
Rated Life, L70 B10 (Hrs)	30,000	30,000	40,000	40,000	40,000
Control	● ■	● ■	● ■	● ■ ◆ ◆	● ■
Beam Angles	FL (30°)	FL (30°)	FL (35°)	FL (35°)	FL (35°)
Glare Control	45° Angled (CW), 90° Cutoff (RD), or Flush (RG)				
Included Components	Silicone Gasket for 2.5" Schedule 40 Conduit, Silicone Gasket for SDR-21 Conduit				
International (CE)	North America Only				
Finish	AB				

● On/Off ■ Phase Dimmable ◆ Addressing and Zoning w/Luxor ◆ Luxor Dimming ■ 2700K

*Lumen range dependent upon selected style





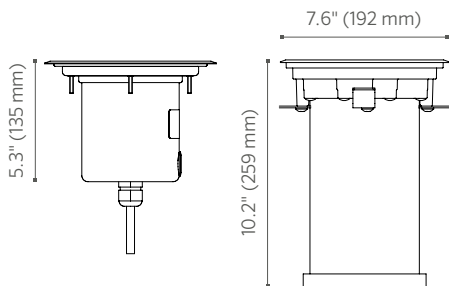
XN-70

XN-70

This compact in-grade offers internal rotation and tilt adjustability for highly efficient light delivery. With IP68 and drive-over ratings, the XN-70 provides light output up to 1,000 lm.



XN-70



KEY FEATURES

- Includes field-servicable beam angle lenses from Very Narrow to Wide Flood
- Built-in Luxor® Technology enables powerline zoning, smooth dimming, and RGBW color-changing with the Luxor Controller
- Driver on Board Technology layout for compact design and fewer components
- Available in static color and dynamic RGBW color-changing options
- Custom recessed installation kit included

EXA XN-70 GRANDE IN-GRADE

Light Source	PowerBoard® Integrated LED	
Power	H1	ZDC
Total Lumens (lm)	1,030	450-1,000
Power Consumption (VA)	23.0	25.0
LED Color	■ ■	■ ■ ■ ■
Rated Life, L70 B10 (Hrs)	72,000	55,000
Control	● ■ ◆ ◆	◆ ◆ ◆
Beam Angles	SP (20°), FL (40°), WF (60°)	FL (35°)
Included Components	In-Ground Construction Sleeve, Hex Key	
International (CE)	All models are CE compliant	
Finish	SS, BZ, FB, SB, DG, WI, SV, FW	

● On/Off ■ Phase Dimmable ◆ Addressing and Zoning w/Luxor ◆ Luxor Dimming ◆ RGBW Color Changing w/Luxor ■ 2700K ■ 3000K ■ RGBW





KG



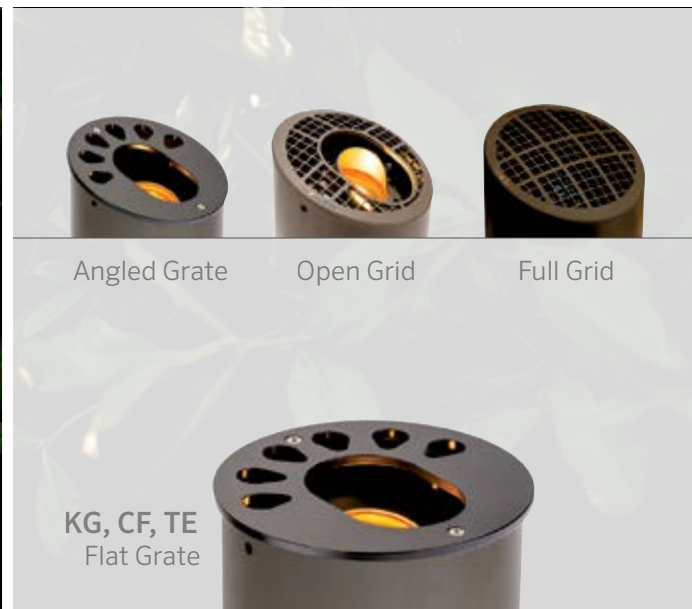
CF



TE

KG, CF, TE

These subterranean well lights feature a keyhole grate pattern that offers output balance and glare control. They also come in a variety of light source, finish, and construction material options for high performance and maximum durability.

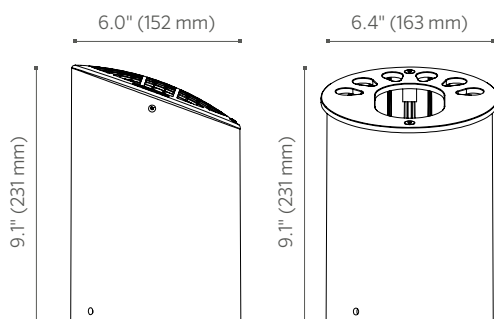


Angled Grate

Open Grid

Full Grid

KG, CF, TE
Flat Grate



KEY FEATURES

- Utilizes a premium lamp socket with a ceramic base and retaining clips for a secure and long-lasting hold
- Includes field-serviceable beam angle lenses from Very Narrow to Wide Flood
- Built-in Luxor® Technology enables powerline zoning, smooth dimming, and RGBW color-changing with the Luxor Controller
- Driver on Board Technology layout for compact design and fewer components

	TERRA KG WELL LIGHT				TERRA CF WELL LIGHT		TERRA TE WELL LIGHT	
Light Source	PowerBoard® Integrated LED				PAR-36 LED Lamp		MR-16 LED Lamp	
Power	3LED	6LED	9LED	ZDC	35WFL	50WFL	20WFL	35WFL
Total Lumens (lm)	185	450	545	125-295	320	840	-	-
Power Consumption (VA)	4.5	9.3	12.2	11.0	8.5	11.3	4.3	5.4
LED Color	■	■	■	■	■	■	■	■
Rated Life, L70 B10 (Hrs)	72,000	72,000	72,000	50,000	50,000	50,000	40,000	40,000
Control	● ■ ◆ ◆	● ■ ◆ ◆	● ■ ◆ ◆	◆ ◆ ◆ ◆	● ■	● ■	● ■	● ■ ◆ ◆
Beam Angles	FL (35°)	FL (35°)	FL (35°)	FL (55°)	FL (35°)	FL (35°)	FL (35°)	FL (35°)
Included Components	Heat Shrink Wire Connectors, In-Ground Construction Sleeve, Hex Key							
International (CE)	Specified "E" Configuration						North America Only	
Finish	BS, BZ, FB, SB, DG, WI, SV, FW, AB, AT, NP, DT, CB				BZ, FB, SB, DG, WI, FW, SV, CB, DT		BS, NP, BZ, FB, SB, DG, WI, FW, SV, DT	

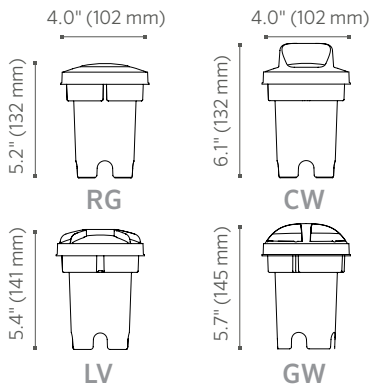
● On/Off ■ Phase Dimmable ◆ Addressing and Zoning w/Luxor ◆ Luxor Dimming ◆ RGBW Color Changing w/Luxor ■ 2700K ■ RGBW





FC

The FC features four faceplate options and is up to 9 LED capable. Its ground wash faceplate is field-adjustable and offers a no-glare design that complements deck and patio applications.



KEY FEATURES

- Includes field-serviceable beam angle lenses from Very Narrow to Wide Flood
- Utilizes specialized optics for wall- and ground-washing effects
- Built-in Luxor® Technology enables powerline zoning, smooth dimming, and RGBW color-changing with the Luxor Controller
- Available in static color temperature, wildlife-friendly, and dynamic RGBW color-changing options

TERRA FC IN-GRADE

Light Source	PowerBoard® Integrated LED				MR-16 LED Lamp		
	3LED	6LED	9LED	ZDC	LED20WFL	LED35WFL	LED50WFL
Power	20-300	30-495	45-700	35-450	10-250	15-300	15-400
Total Lumens (lm)	4.5	9.3	12.2	11.0	4.3	5.4	6.5
Power Consumption (VA)	■	■	■	■	■	■	■
LED Color	72,000	72,000	72,000	55,000	40,000	40,000	40,000
Rated Life, L70 B10 (Hrs)	● ■ ◆ ◆	● ■ ◆ ◆	● ■ ◆ ◆	◆ ◆ ◆	● ■	● ■ ◆ ◆	● ■
Control	FL (35°)	FL (35°)	FL (35°)	FL (45°)	FL (35°)	FL (35°)	FL (35°)
Beam Angles	Fastener Kit, Heat Shrink Wire Connectors, Construction Sleeve						
Included Components	Specified "E" Configuration						
International (CE)	AB, AT, BS, NP, SV, FB, BZ, SB, DG, WI, FW				BS, SV, NP, FB, BZ, SB, DG, WI, FW		
Finish	● On/Off ■ Phase Dimmable ◆ Addressing and Zoning w/Luxor ◆ Luxor Dimming ◆ RGBW Color Changing w/Luxor ■ 2700K ■ RGBW						

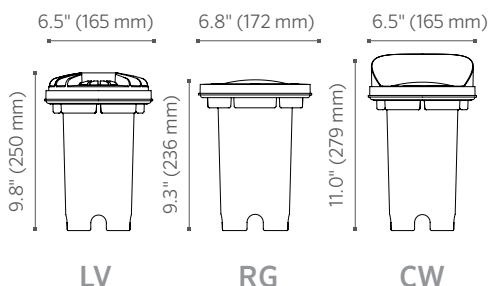
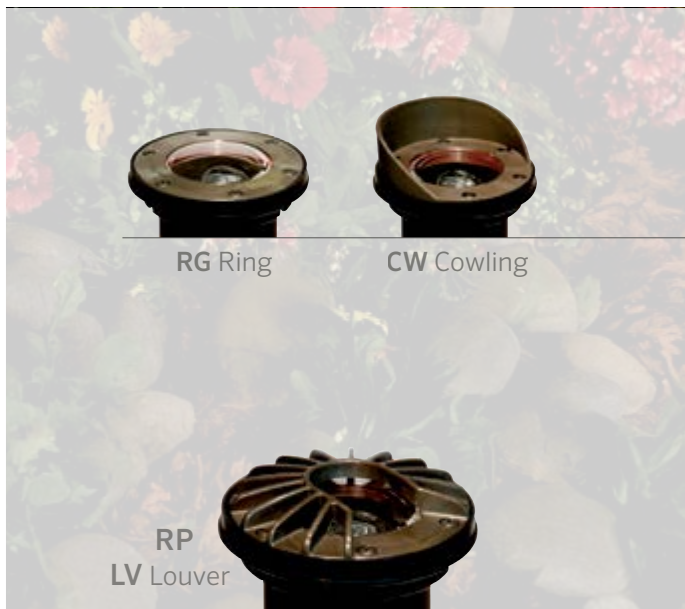




RP

RP

When power and control are required, the versatile RP delivers. This subterranean fixture can be configured with a spread beam to wall wash in tight spaces or project a long, narrow beam for a tall palm, even after installation.



KEY FEATURES

- Utilizes a premium lamp socket with a ceramic base and retaining clips for a secure and long-lasting hold
- Available in a warm (2700K) color temperature
- Custom recessed installation kit included
- Features a built-in, adjustable lamp cradle for beam direction and light source depth control

TERRA RP GRANDE IN-GRADE

Light Source	MR-16 LED Lamp			
Power	LED20WFL	LED35WFL	LED50WFL	ZD35WFL
Total Lumens (lm)	125	150	225	150
Power Consumption (VA)	4.3	5.4	6.5	5.4
LED Color	■	■	■	■
Rated Life, L70 B10 (Hrs)	40,000	40,000	40,000	40,000
Control	● ■	● ■	● ■	◆ ◆
Beam Angles	FL (35°)	FL (35°)	FL (35°)	FL (35°)
Included Components	Heat Shrink Wire Connectors			
International (CE)	Specified "E" Configuration			
Finish	BS, NP, CB, DT			

● On/Off ■ Phase Dimmable ◆ Addressing and Zoning w/Luxor ◆ Luxor Dimming ■ 2700K





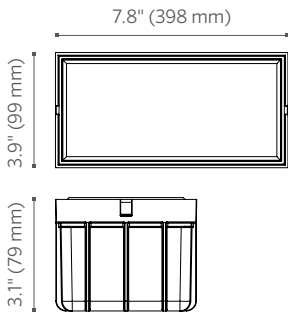
HP-48

HP-48

The sturdy, sleek HP-48 Paver Light offers a range of exciting possibilities for creative lighting design in both classic and contemporary applications.



HP-48



KEY FEATURES

- Minimal visible hardware for a clean and elegant design, day or night
- Frosted glass lens provides soft, even light distribution
- Built-in Luxor® Technology enables powerline zoning, smooth dimming, and RGBW color-changing with the Luxor Controller
- Factory-sealed construction
- Driver on Board Technology layout for compact design and fewer components

MODERN HP-48 PAVER LIGHT

Light Source	PowerBoard® Integrated LED	
Power	1LED	ZDC
Total Lumens (lm)	20	30-70
Power Consumption (VA)	2.2	4.3
LED Color	■ ■	■ ■ ■
Rated Life, L70 B10 (Hrs)	72,000	55,000
Control	● ■ ◆ ◆	◆ ◆ ◆
Beam Angles	WW (90°)	WW (90°)
Included Components	In-Ground Construction Sleeve	
International (CE)	Specified "E" Configuration	
Finish	DS	

● On/Off ■ Phase Dimmable ◆ Addressing and Zoning w/Luxor ◆ Luxor Dimming ◆ RGBW Color Changing w/Luxor ■ 2700K ■ 4000K ■ RGBW





FC Ground Wash



KG Well Light

These subterranean well lights feature a signature keyhole grate pattern that offers light output balance and glare control. They also come in a variety of light source, finish, and construction material options for high performance and maximum durability.

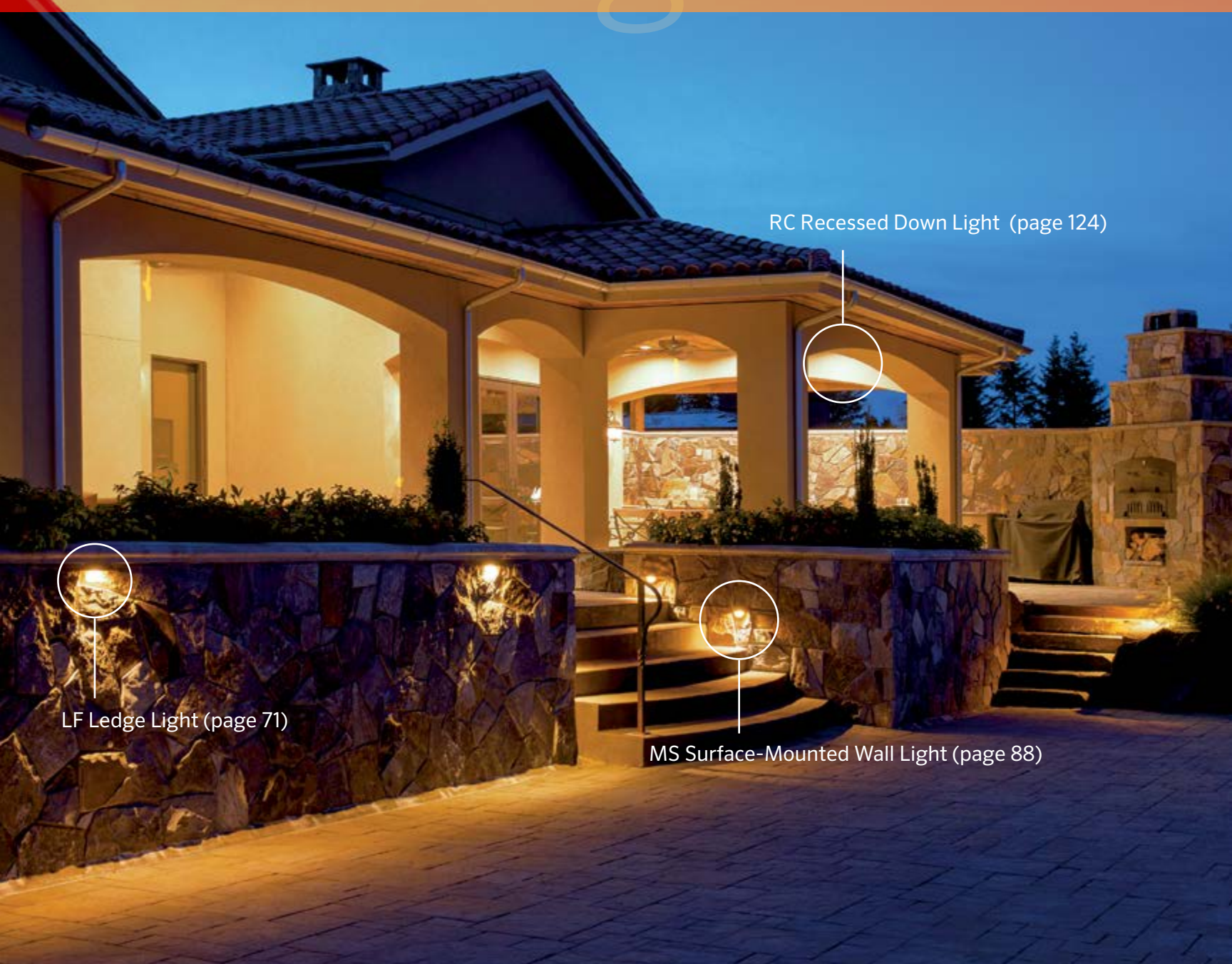
Surface-Mounte



MM Surface-Mounted Wall Light (page 88)



d Wall Lights



RC Recessed Down Light (page 124)

LF Ledge Light (page 71)

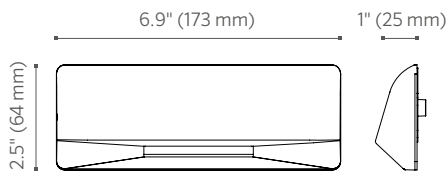
MS Surface-Mounted Wall Light (page 88)

Save space — and installation time — with surface-mounted wall lights. Designed to ensure cohesive, widespread light distribution, these fixtures provide a convenient substitute to recessed alternatives.



SF

The SF Surface-Mounted Wall Light simplifies wall and step light installation while offering a modern, streamlined profile.



KEY FEATURES

- Slender luminaire delivers an optimal amount of light exactly where it's needed
- Minimal visible hardware for a clean and elegant design, day or night
- Slim, unobtrusive low-profile design offers minimalist aesthetics to accommodate other elements inside the wall
- Frosted glass lens provides soft, even light distribution

MODERN SF SURFACE-MOUNTED WALL LIGHT

Light Source	PowerBoard® Integrated LED	
Power	1LED	ZDC
Total Lumens (lm)	55	55-75
Power Consumption (VA)	2.2	4.3
LED Color	 	
Rated Life, L70 B10 (Hrs)	72,000	55,000
Control	 	
Included Components	Mounting Bracket, Hex Key	
International (CE)	Specified "E" Configuration	
Finish	BZ, FB, SB, DG, WI, SV, FW	

● On/Off ■ Phase Dimmable ◆ Addressing and Zoning w/Luxor ◆ Luxor Dimming ◆ RGBW Color Changing w/Luxor ■ 2700K ■ 3000K ■ 4000K ■ RGBW





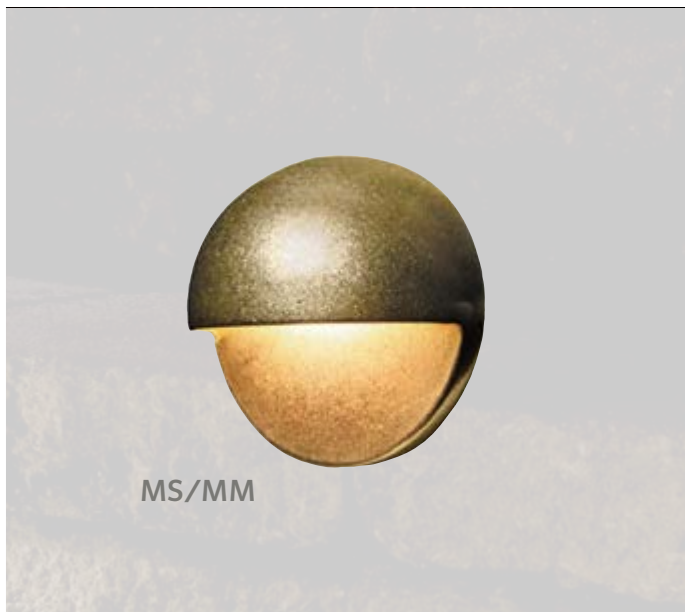
MS



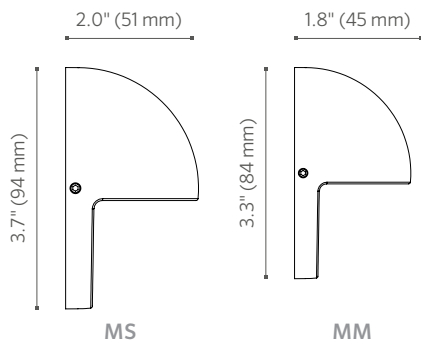
MM

MS, MM

The MS and MM are perfect for retrofit projects and can be used on masonry or wood surfaces. They're available in brass and a wide variety of powder-coated colors to match surroundings beautifully.



MS/MM



KEY FEATURES

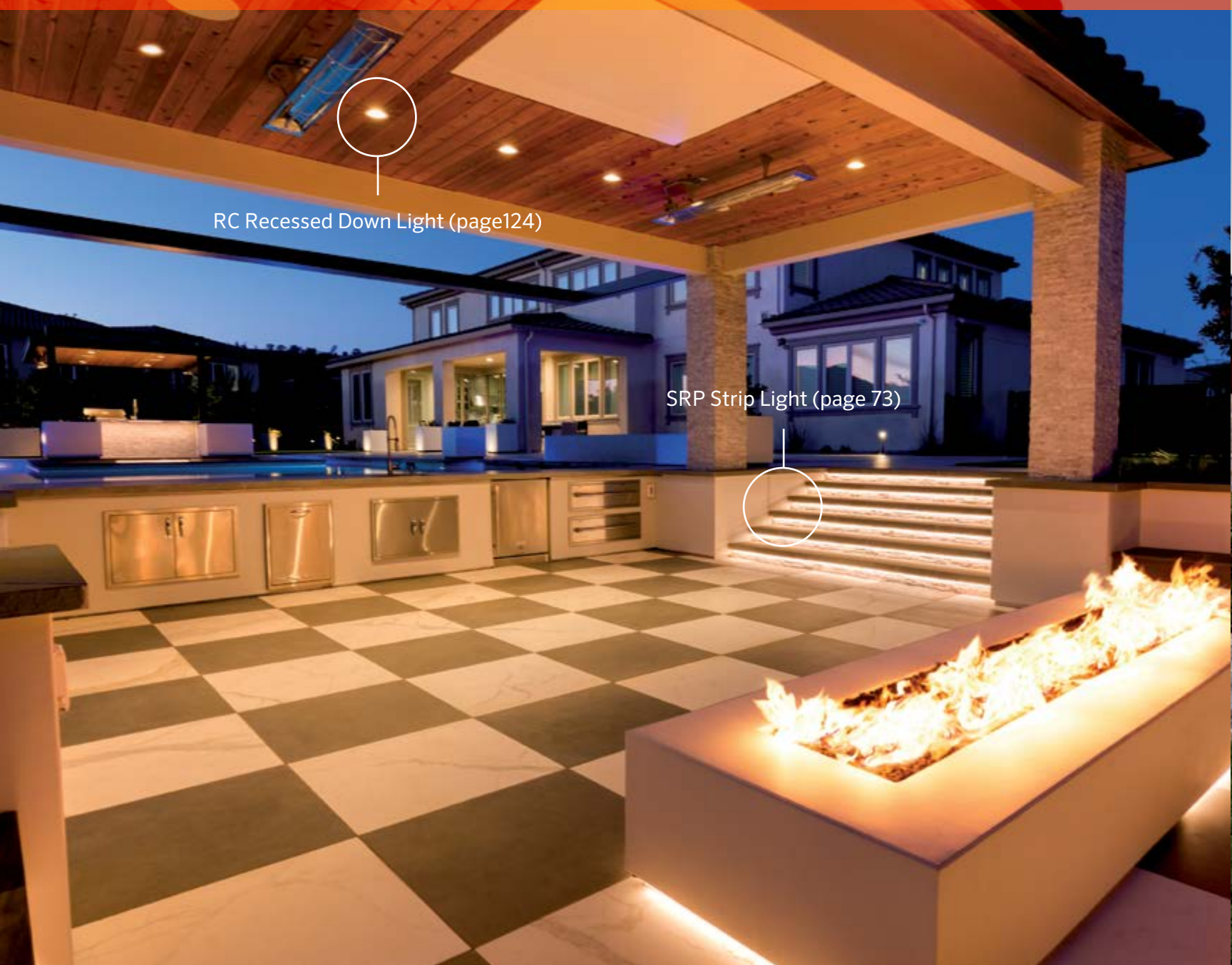
- Minimal visible hardware for a clean and elegant design, day or night
- Frosted glass lens provides soft, even light distribution
- Surface-mounted with stainless steel hardware
- Available in a warm (2700K) color temperature
- Meets ADA requirements for sconce depth from wall
- DarkSky™ approved with a U0 BUG rating for a glare-free experience

	RUNA MS SURFACE-MOUNTED WALL LIGHT	RUNA MM SURFACE-MOUNTED WALL LIGHT
Light Source	PowerBoard® Integrated LED	G4 LED
Power	1LED	LED20W
Total Lumens (lm)	100	30
Power Consumption (VA)	2.2	1.3
LED Color	■	■
Rated Life, L70 B10 (Hrs)	72,000	33,000
Control	● ■ ◆ ◆	● ■
Beam Angle	-	
Included Components	Hex Key	
International (CE)	Specified "E" Configuration	North America Only
Finish	BZ, FB, SB, DG, WI, SV, FW, AT, AB, BS, NP	BZ, FB, SB, DG, WI, SV, FW, BS, NP

● On/Off ■ Phase Dimmable ◆ Addressing and Zoning w/Luxor ◆ Luxor Dimming ■ 2700K



Recessed Wall L

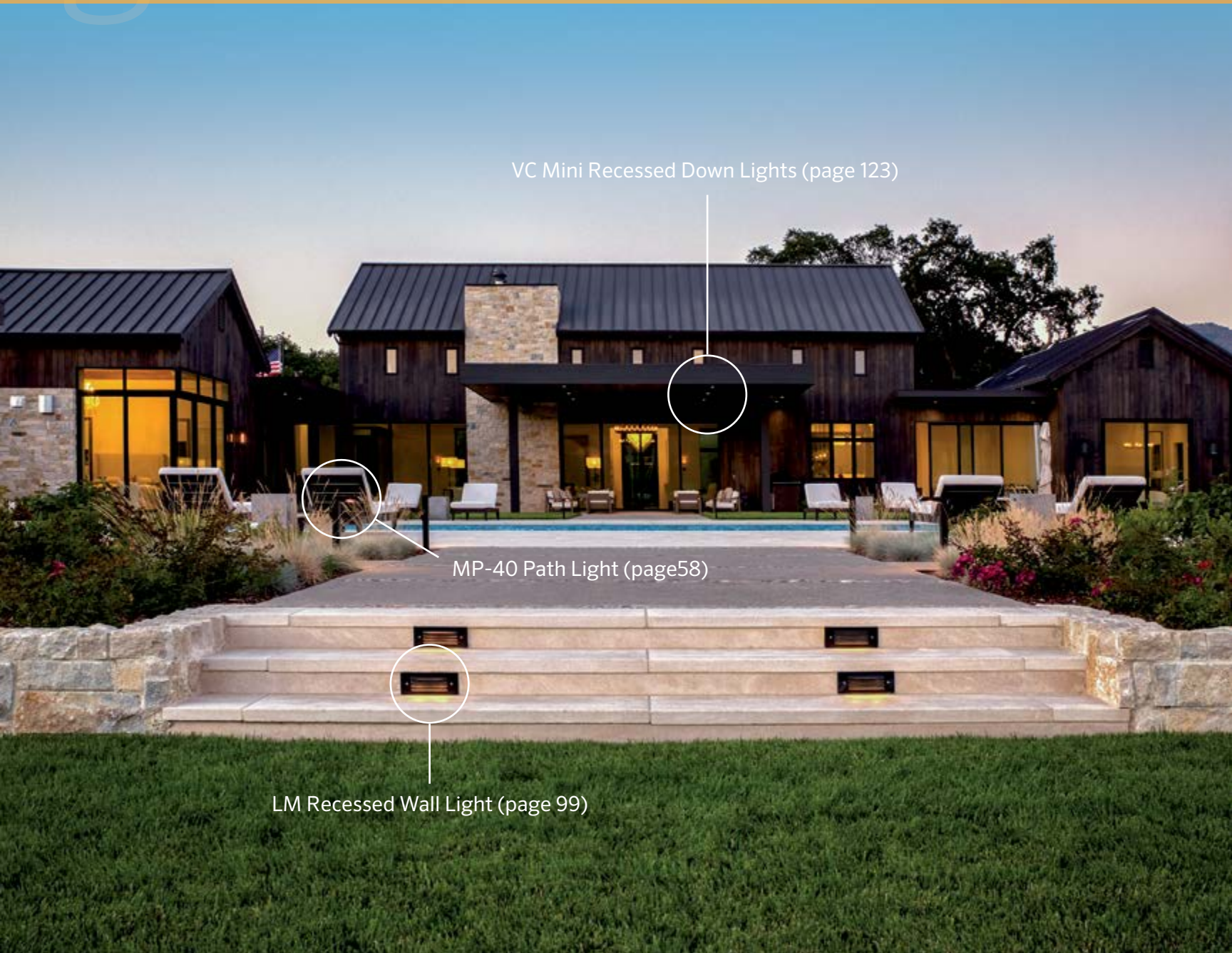


RC Recessed Down Light (page124)

SRP Strip Light (page 73)



ights



VC Mini Recessed Down Lights (page 123)

MP-40 Path Light (page 58)

LM Recessed Wall Light (page 99)

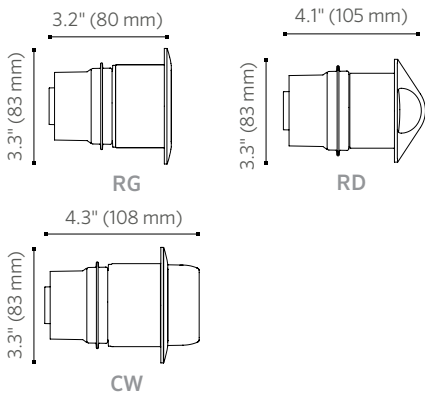
Designed for sleek, seamless installation, recessed wall lights bring a clean, modern aesthetic to any lighting design. Installed flush to the wall's surface, they enhance safety on pathways and stairs while adding ambiance to areas where space is limited.



CN-51

CN-51

The elegant CN-51 Recessed Wall Light is a perfect addition to lighting projects for clients with modest budgets. Because of its corrosion-resistant construction, this fixture is especially at home in coastal regions.



KEY FEATURES

- Select brass construction and black oxide stainless steel hardware deliver strong corrosion resistance, increased durability, and an elegant look
- Minimal visible hardware for a clean and elegant design, day or night
- Utilizes specialized optics for wall- and ground-washing effects
- Built-in, spring-loaded lamp positioning for maximum control over glare and photometry

CORA CN-51 RECESSED WALL LIGHT

Light Source	MR-16 LED Lamp					
Power	ECO20WFL	ECO50WFL	LED20WFL	LED35WFL	LED50WFL	ZD35WFL
Total Lumens (lm)*	70-315	100-410	55-245	70-285	100-400	70-285
Power Consumption (VA)	6.0	8.5	4.3	5.4	6.5	5.4
LED Color	■	■	■	■	■	■
Rated Life, L70 B10 (Hrs)	30,000	30,000	40,000	40,000	40,000	40,000
Control	● ■	● ■	● ■	● ■	● ■	◆ ◆
Beam Angles	FL (30°)	FL (30°)	FL (35°)	FL (35°)	FL (35°)	FL (35°)
Glare Control	45° Angled (CW), 90° Cutoff (RD), or Flush (RG)					
Included Components	Silicone Gasket for 2.5" Schedule 40 Conduit, Silicone Gasket for SDR-21 Conduit for North America					
International (CE)	North America Only					
Finish	AB					

● On/Off ■ Phase Dimmable ◆ Addressing and Zoning w/Luxor ◆ Luxor Dimming ■ 2700K



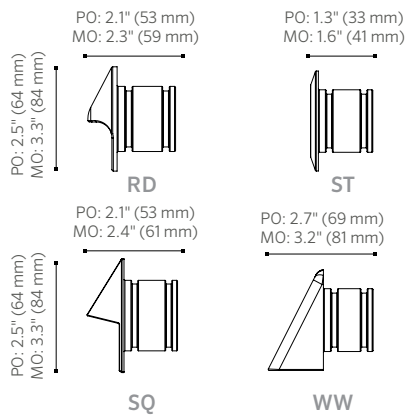
PO, MO

Available in four unique shapes, the PO offers maximum design flexibility. The larger MO offers the same styles with a frosted glow, delivers more light output, and is the only 20 W equivalent wall light compatible with the Luxor® System.



PO

MO



KEY FEATURES

- Slender luminaire delivers an optimal amount of light exactly where it's needed
- Premium, corrosion-resistant brass construction protects internal and external elements of the fixture
- Minimal visible hardware for a clean and elegant design, day or night
- Built-in Luxor® Technology enables powerline zoning, smooth dimming, and RGBW color-changing with the Luxor Controller

	RUNA/MODERN PO RECESSED WALL LIGHT	RUNA/MODERN MO RECESSED WALL LIGHT			
Light Source	PowerBoard® Integrated LED				
Power	1LED	1LED	3LED	3LEDT	ZDC
Total Lumens (lm)	45-135	34-125	220-350	150-160	140-330
Power Consumption (VA)	2.2	2.2	4.5	4.5	7.2
LED Color	■	■	■	■	■
Rated Life, L70 B10 (Hrs)	72,000	72,000	72,000	50,000	55,000
Control	● ■ ◆ ◆	● ■	● ■ ◆ ◆	● ■ ◆ ◆	◆ ◆ ◆
Included Components	In-Wall Construction Sleeve (1.5" Schedule 40)		In-Wall Construction Sleeve (2" Schedule 40)		
International (CE)	Wall Light Connection Kit (eKitWall) accessory required				
Finish	BS, BZ, FB, SB, DG, WI, SV, FW, AB, AT, NP				

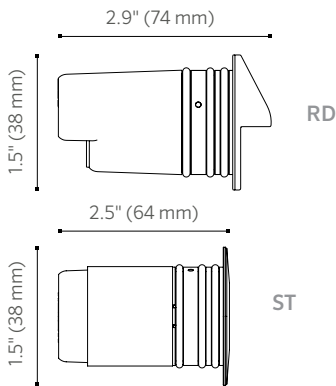
● On/Off ■ Phase Dimmable ◆ Addressing and Zoning w/Luxor ◆ Luxor Dimming ◆ RGBW Color Changing w/Luxor ■ 2700K ■ Wildlife-Friendly ■ RGBW





VO

Featuring a stainless steel construction and two faceplate options, the compact VO In-Grade/Wall Light delivers exceptional performance in all conditions.



KEY FEATURES

- Slender luminaire delivers an optimal amount of light exactly where it's needed
- Constructed from 304 stainless steel material
- Minimal visible hardware for a clean and elegant design, day or night
- Slim, unobtrusive low-profile design offers minimalist aesthetics to accommodate other elements inside the wall
- Utilizes specialized optics for wall- and ground-washing effects

TERRA VO IN-GRADE/WALL LIGHT

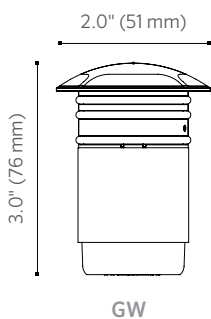
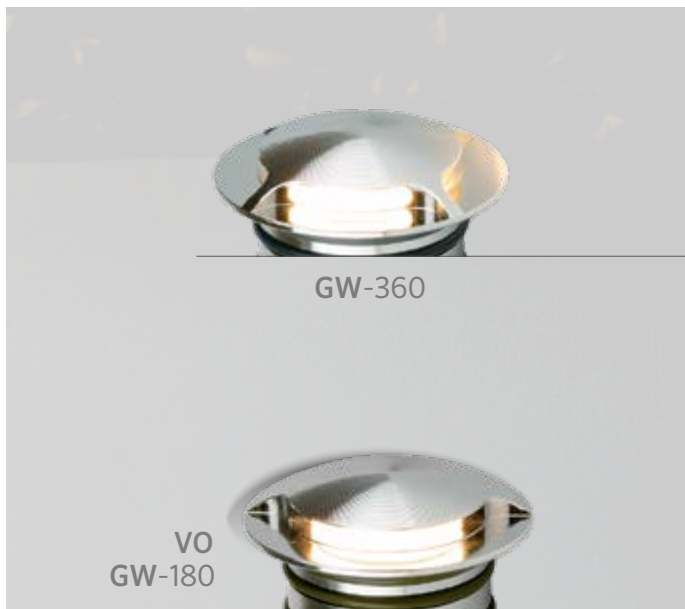
	ST (Spot)	RD (Round)
Light Source	PowerBoard® Integrated LED	
Power	1LED	1LED
Total Lumens (lm)	180	100
Power Consumption (VA)	4.2	4.2
LED Color	■	■
Rated Life, L70 B10 (Hrs)	72,000	72,000
Control	● ■ ◆ ◆	● ■ ◆ ◆
Included Components	In-Wall Construction Sleeve, Orange O-Rings for Compatibility with 1.5" Schedule 40 PVC Conduit	
International (CE)	North America Only	
Finish	SS	

● On/Off ■ Phase Dimmable ◆ Addressing and Zoning w/Luxor ◆ Luxor Dimming ■ 2700K



VO

Available in 180° and 360° versions, the durable VO Ground Wash elegantly illuminates hardscapes for safety, wayfinding, and perimeter lighting.



KEY FEATURES

- Slender luminaire delivers an optimal amount of light exactly where it's needed
- Constructed from 304 stainless steel material
- Minimal visible hardware for a clean and elegant design, day or night
- Slim, unobtrusive low-profile design offers minimalist aesthetics to accommodate other elements inside the wall
- Utilizes specialized optics for wall- and ground-washing effects

TERRA VO GROUND WASH

	GW-180 (Ground Wash 180°)	GW-360 (Ground Wash 360°)
Light Source	PowerBoard® Integrated LED	PowerBoard® Integrated LED
Power	1LED	1LED
Total Lumens (lm)	10	20
Power Consumption (VA)	4.2	4.2
LED Color	■	■
Rated Life, L70 B10 (Hrs)	72,000	72,000
Control	● ■ ◆ ◆	● ■ ◆ ◆
Included Components	In-Wall Construction Sleeve, Orange O-Rings for Compatibility with 1.5" Schedule 40 PVC Conduit	
International (CE)	North America Only	
Finish	SS	

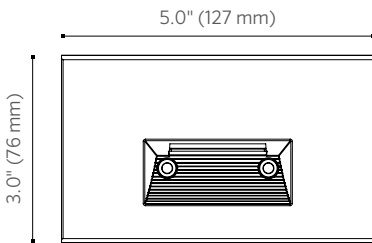
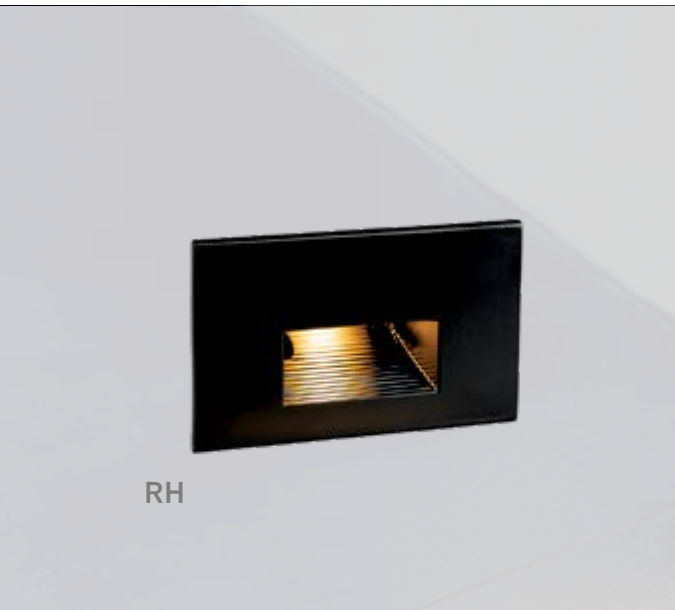
● On/Off ■ Phase Dimmable ◆ Addressing and Zoning w/Luxor ◆ Luxor Dimming ■ 2700K





RH

Designed for sleek, seamless installation, the RH Recessed Wall Light is a modern upgrade to lighting walkways and stairs.



KEY FEATURES

- Compatible with standard North American single-gang junction boxes
- Built with durable, lightweight aluminum housing that withstands any weather condition
- Minimal visible hardware for a clean and elegant design, day or night
- Slim, unobtrusive low-profile design offers minimalist aesthetics to accommodate other elements inside the wall
- Frosted glass lens provides soft, even light distribution

MODERN RH RECESSED WALL LIGHT

Light Source	PowerBoard® Integrated LED		
Power	1LED	3LED	ZDC
Total Lumens (lm)	35	85	100-235
Power Consumption (VA)	2.2	4.5	7.2
LED Color	■ ■	■ ■	■ ■ ■
Rated Life, L70 B10 (Hrs)	72,000	72,000	55,000
Control	● ■	● ■ ◆ ◆	◆ ◆ ◆
Included Components	Mounting Bracket, Hex Key		
International (CE)	North America Only		
Finish	FB, BZ, SB, DG, WI, SV, FW		

● On/Off ■ Phase Dimmable ◆ Addressing and Zoning w/Luxor ◆ Luxor Dimming ◆ RGBW Color Changing w/Luxor ■ 2700 ■ 3000K ■ RGBW

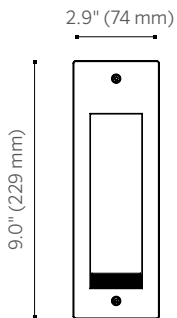




VK

VK

Ideal for lighting columns, pergola posts, entryway walls, and stairwells, the VK offers a stylish look and easy installation.



KEY FEATURES

- Built with durable, lightweight aluminum housing that withstands any weather condition
- Slim, unobtrusive low-profile design offers minimalist aesthetics to accommodate other elements inside the wall
- Built-in Luxor® Technology enables powerline zoning, smooth dimming, and RGBW color-changing with the Luxor Controller
- Driver on Board Technology layout for compact design and fewer components

MODERN VK VERTICAL RECESSED WALL LIGHT

Light Source	PowerBoard® Integrated LED		
Power	1LED	3LED	ZDC
Total Lumens (lm)	45	120	120-280
Power Consumption (VA)	2.2	4.5	7.2
LED Color	■ ■	■ ■	■ ■ ■
Rated Life, L70 B10 (Hrs)	72,000	72,000	55,000
Control	● ■	● ■ ◆ ◆	◆ ◆ ◆
Included Components	In-Wall Construction Sleeve, Hex Key		
International (CE)	Specified "E" Configuration		
Finish	FB, BZ, SB, DG, WI, SV, FW		

● On/Off ■ Phase Dimmable ◆ Addressing and Zoning w/Luxor ◆ Luxor Dimming ◆ RGBW Color Changing w/Luxor ■ 2700K ■ 3000K ■ RGBW

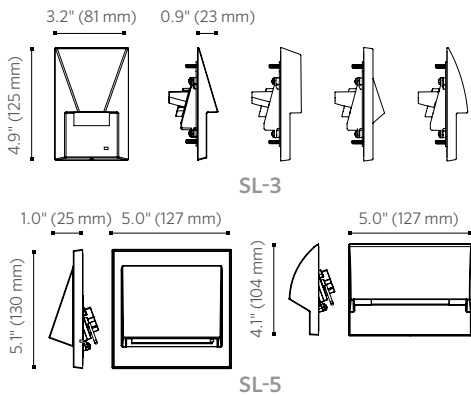
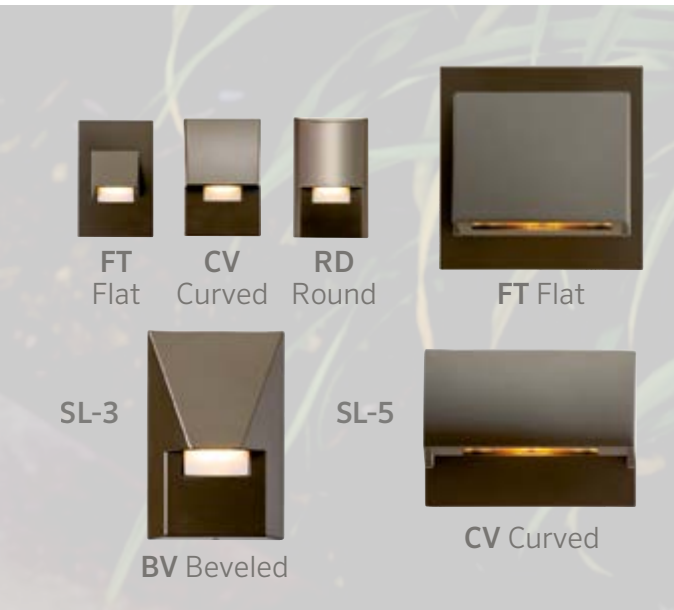




SL-3, SL-5

SL-3, SL-5

These versatile wall lights are available with multiple faceplate options to maximize design flexibility in a range of applications.



KEY FEATURES

- Compatible with standard North American single-gang junction boxes
- Premium, corrosion-resistant copper and brass construction protects internal and external elements of the fixture
- Minimal visible hardware for a clean and elegant design, day or night
- Slim, unobtrusive low-profile design offers minimalist aesthetics to accommodate other elements inside the wall
- Frosted glass lens provides soft, even light distribution

	MODERN SL-3 RECESSED WALL LIGHT			MODERN SL-5 RECESSED WALL LIGHT		
Light Source	PowerBoard® Integrated LED					
Power	1LED	3LED	ZDC	1LED	3LED	ZDC
Total Lumens (lm)	80	200	60-145	50	130	170-395
Power Consumption (VA)	2.2	4.5	7.2	2.2	4.5	7.2
LED Color	■ ■	■ ■	■ ■ ■	■ ■	■ ■	■ ■ ■
Rated Life, L70 B10 (Hrs)	72,000	72,000	55,000	72,000	72,000	55,000
Control	● ■	● ■ ◆ ◆	◆ ◆ ◆	● ■ ◆ ◆	● ■ ◆ ◆	◆ ◆ ◆
Included Components	Mounting Bracket, Hex Key					
International (CE)	North America Only					
Finish	BZ, FB, SB, DG, WI, SV, FW					

● On/Off ■ Phase Dimmable ◆ Addressing and Zoning w/Luxor ◆ Luxor Dimming ◆ RGBW Color Changing w/Luxor ■ 2700K ■ 3000K ■ RGBW

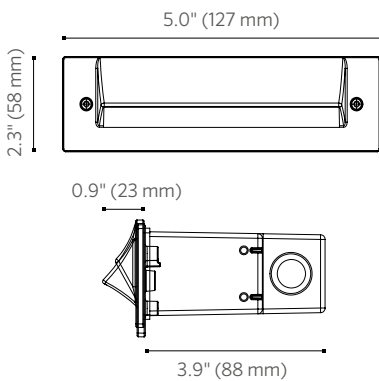




HS

HS

The modern, low-profile HS Wall Light provides a soft, floor-grazing light output in recessed applications.



KEY FEATURES

- Built with durable, lightweight aluminum housing that withstands any weather condition
- Minimal visible hardware for a clean and elegant design, day or night
- Slim, unobtrusive low-profile design offers minimalist aesthetics to accommodate other elements inside the wall
- Built-in Luxor® Technology enables powerline zoning, smooth dimming, and RGBW color-changing with the Luxor Controller

MODERN HS RECESSED WALL LIGHT

Light Source	PowerBoard® Integrated LED	
Power	2LED	ZDC
Total Lumens (lm)	100	165–395
Power Consumption (VA)	4.5	8.6
LED Color	■ ■	■ ■ ■
Rated Life, L70 B10 (Hrs)	72,000	55,000
Control	● ■ ◆ ◆	◆ ◆ ◆
Included Components	In-Wall Construction Sleeve, Hex Key	
International (CE)	Specified “E” Configuration	
Finish	BZ, FB, SB, DG, WI, SV, FW	

● On/Off ■ Phase Dimmable ◆ Addressing and Zoning w/Luxor ◆ Luxor Dimming ◆ RGBW Color Changing w/Luxor ■ 2700K ■ 3000K ■ RGBW



GARDEN COLLECTION



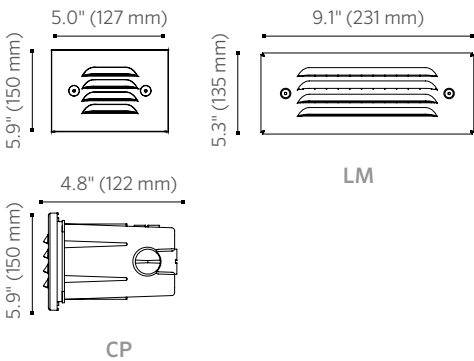
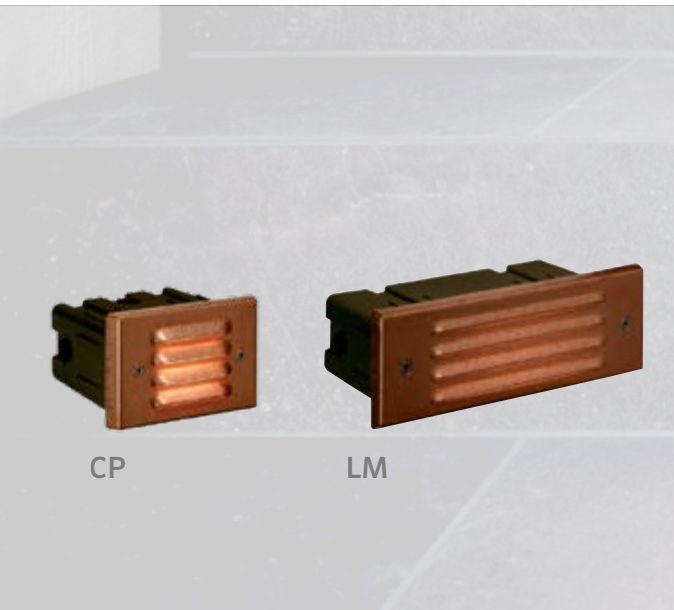
CP



LM

CP, LM

Featuring a durable, copper construction, these recessed fixtures bring light to walkways, stairways, and decks. Use the 20 W LM on its own or pair it with the 10 W CP to maintain a consistent style.



KEY FEATURES

- Slim, unobtrusive low-profile design offers minimalist aesthetics to accommodate other elements inside the wall
- Built-in Luxor® Technology enables powerline zoning and smooth PWM dimming with the industry-leading Luxor Controller
- Available in a warm (2700K) color temperature
- Custom recessed installation kit included

	GARDEN CP RECESSED WALL LIGHT		GARDEN LM RECESSED WALL LIGHT	
Light Source	PowerBoard® Integrated LED	G4 LED Lamp	PowerBoard® Integrated LED	G4 LED Lamp
Power	1LED	LED20W	2LED	LED40W
Total Lumens (lm)	20	15	35	30
Power Consumption (VA)	2.2	1.3	4.5	2.6
LED Color	■	■	■	■
Rated Life, L70 B10 (Hrs)	72,000	33,000	72,000	33,000
Control	● ■ ◆ ◆	● ■	● ■ ◆ ◆	● ■
Included Components	Fastener Kit, In-Wall Construction Sleeve		Fastener Kit, In-Wall Construction Sleeve	
International (CE)	Wall Light Connection Kit (eKitWall) accessory required			
Finish	CU, BZ, FB, SB, DG, WI, SV, FW, AB, AT, NP			

● On/Off ■ Phase Dimmable ◆ Addressing and Zoning w/Luxor ◆ Luxor Dimming ■ 2700K





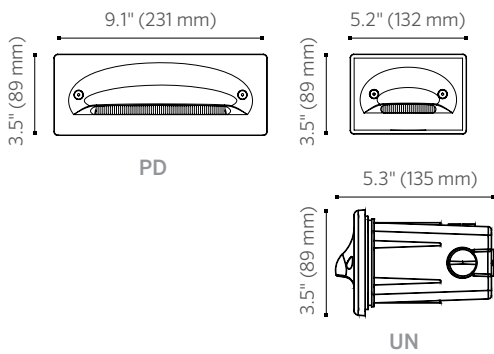
UN



PD

PD, UN

Sharing the same organic look, the 20 W PD and 10 W UN can be used together or individually to wash walkways with a shadow-free, smooth illumination.



KEY FEATURES

- Premium, corrosion-resistant brass construction protects internal and external elements of the fixture
- Built-in Luxor® Technology enables powerline zoning and smooth PWM dimming with the industry-leading Luxor Controller
- Available in a warm (2700K) color temperature
- Custom recessed installation kit included

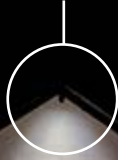
	GARDEN PD RECESSED WALL LIGHT		GARDEN UN RECESSED WALL LIGHT	
Light Source	PowerBoard® Integrated LED	G4 LED Lamp	PowerBoard® Integrated LED	G4 LED Lamp
Power	2LED	LED40W	1LED	LED20W
Total Lumens (lm)	45	40	25	20
Power Consumption (VA)	4.5	2.6	2.2	1.3
LED Color	■	■	■	■
Rated Life, L70 B10 (Hrs)	72,000	33,000	72,000	33,000
Control	● ■ ◆ ◆	● ■	● ■ ◆ ◆	● ■
Included Components	Fastener Kit, In-Wall Construction Sleeve			
International (CE)	Wall Light Connection Kit (eKitWall) accessory required			
Finish	BS, NP, BZ, FB, SB, DG, WI, FW, CB, DT			

● On/Off ■ Phase Dimmable ◆ Addressing and Zoning w/Luxor ◆ Luxor Dimming ■ 2700K



Directional Down

JB Directional Down Light (page 104)



NP Accent Light (page 29)



PB Wall Wash (page 39)





Lights



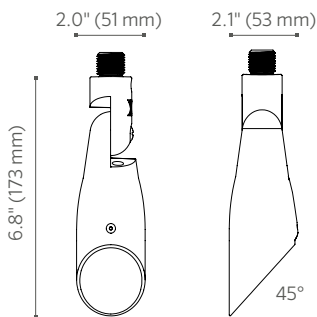
DE Directional Down Light (page 104)

For the perfect blend of flexible performance and focused illumination, opt for directional down lights. Designed to deliver efficient, top-down lighting for patios, verandas, and outdoor gathering spaces, these fixtures mimic natural moonlighting effects and offer unrivaled optical flexibility and limitless design potential.



QT

Ideal for tight spaces, the compact QT blends with any home or landscape while providing natural downlighting or subtle accent lighting.



KEY FEATURES

- Slender luminaire delivers an optimal amount of light exactly where it's needed
- Built with durable, lightweight aluminum housing that withstands any weather condition
- Preinstalled with an extra-long 26' (8 m) wire lead for high and hard-to-reach installations

DESIGNER QT MINI DIRECTIONAL DOWN LIGHT

Light Source	PowerBoard® Integrated LED
Power	1LED
Total Lumens (lm)	80
Power Consumption (VA)	2.2
LED Color	■
Rated Life, L70 B10 (Hrs)	72,000
Control	● ■ ◆ ◆
Beam Angle	WF (60°)
Glare Control	45° Angled
Included Installation Components	Flood Lens, Hex Key, Mini Mount Wall Bracket
International (CE)	Tree Mount (TB-XX) accessory required
Finish	BZ, FB, SB, DG, WI, FW, SV

● On/Off ■ Phase Dimmable ◆ Addressing and Zoning w/Luxor ◆ Luxor Dimming ■ 2700K





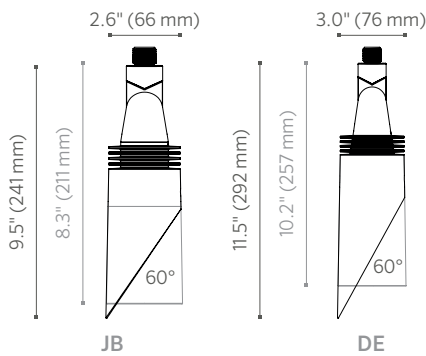
JB



DE

JB, DE

The JB and DE allow you to add the supplied blue lens to create a natural moonlighting effect. Whether placed in a tight space or out in the open, these make a fine addition to any landscape.



KEY FEATURES

- Durable aluminum housing withstands any weather condition
- Preinstalled with an extra-long 26' (8 m) wire lead for high and hard-to-reach installations
- Includes field-serviceable beam angle lenses from Very Narrow to Wide Flood
- Built-in Luxor® Technology enables powerline zoning, smooth dimming, and RGBW color-changing with the Luxor Controller

DESIGNER JB DIRECTIONAL DOWN LIGHT DESIGNER DE DIRECTIONAL DOWN LIGHT

Light Source	PowerBoard® Integrated LED			PowerBoard® Integrated LED			
	1LED	3LED	ZDC	3LED	6LED	9LED	ZDC
Power	100	240	70-165	225	425	540	95-325
Total Lumens (lm)	2.2	4.5	7.2	4.5	9.3	12.2	11.0
Power Consumption (VA)	■	■	■	■	■	■	■
LED Color	72,000	72,000	55,000	72,000	72,000	72,000	55,000
Rated Life, L70 B10 (Hrs)	● ■ ◆ ◆	● ■ ◆ ◆	◆ ◆ ◆	● ■ ◆ ◆	● ■ ◆ ◆	● ■ ◆ ◆	◆ ◆ ◆
Control	WF (60°)	WF (60°)	WF (60°)	WF (60°)	WF (60°)	WF (60°)	WF (60°)
Beam Angle	60° Angled, 3" (76 mm) Straight (SS)			60° Angled, 4" (102 mm) Straight (SS)			
Glare Control	Flood Lens, Hex Key, Mini Mount Wall Bracket						
Included Components	Specified "E" Configuration						
International (CE)	BZ, FB, SB, DG, WI, SV, FW						
Finish							

● On/Off ■ Phase Dimmable ◆ Addressing and Zoning w/Luxor ◆ Luxor Dimming ◆ RGBW Color Changing w/Luxor ■ 2700K ■ RGBW

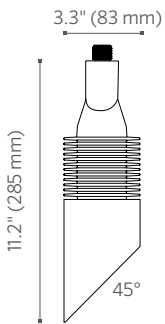
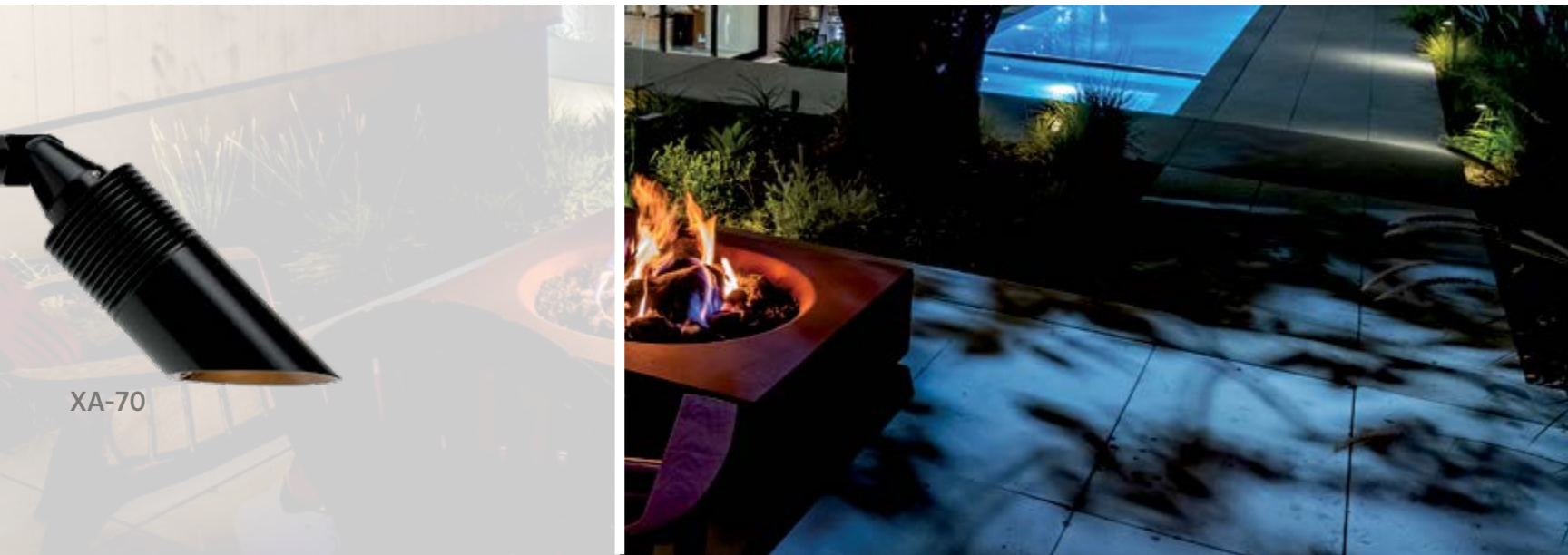




XA-70

XA-70

Combining light output of 1,000 lumens with top-tier integrated LED technology, the XA-70 Grande Accent Light offers three precision beam angle options, two correlated color temperatures, and multiple mounting orientations.



KEY FEATURES

- Built with durable, lightweight aluminum housing that withstands any weather condition
- Multidirectional fixture offers up/down capability for added design flexibility
- Built-in Luxor® Technology enables powerline zoning, smooth dimming, and RGBW color-changing with the Luxor Controller

EXA XA-70 GRANDE ACCENT LIGHT

Light Source	PowerBoard® Integrated LED	
Power	H1	ZDC
Total Lumens (lm)	975	450-1,000
Power Consumption (VA)	23.0	25.0
LED Color	■ ■	■ ■ ■ ■
Rated Life, L70 B10 (Hrs)	72,000	55,000
Control	● ■ ◆ ◆	◆ ◆ ◆
Beam Angle	SP (20°), FL (40°), WF (60°)	WF (50°)
Glare Control	45° Angled	
Included Components	Large Slot Spike or Mini J-Box	
International (CE)	Specified "E" Configuration	
Finish	BZ, FB, SB, DG, WI, SV, FW	

◆ Addressing and Zoning w/Luxor ◆ Luxor Dimming ◆ RGBW Color Changing w/Luxor ■ 2700K ■ 3000K ■ RGBW



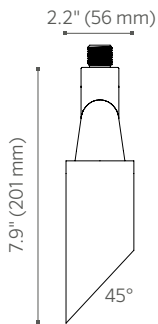




CA-51

CA-51

This multidirectional fixture offers innovative up/down capabilities and an accessory-friendly design for added flexibility.



KEY FEATURES

- Select brass construction and black oxide stainless steel hardware deliver strong corrosion resistance, increased durability, and an elegant look
- Multidirectional fixture offers up/down capability for added design flexibility
- Preinstalled with a 10' (3 m) or extra-long 26' (8 m) wire lead for high and hard-to-reach installations

CORA CA-51 DIRECTIONAL DOWN LIGHT

Light Source	MR-16 LED Lamp					
Power	ECO20WFL	ECO50WFL	LED20WFL	LED35WFL	ZD35WFL	LED50WFL
Total Lumens (lm)	250	325	190	200	200	210
Power Consumption (VA)	6.0	8.5	4.3	5.4	5.4	6.5
LED Color	■	■	■	■	■	■
Rated Life, L70 B10 (Hrs)	30,000	30,000	40,000	40,000	40,000	40,000
Control	● ■	● ■	● ■	● ■	◆ ◆	● ■
Beam Angle	FL (35°)	FL (35°)	FL (35°)	FL (35°)	FL (35°)	FL (35°)
Glare Control	45° Angled					
Included Components	Super Slot Spike and Lock Ring or Mini Mount Wall Bracket					
International (CE)	North America Only					
Finish	AB					

● On/Off ■ Phase Dimmable ◆ Addressing and Zoning w/Luxor ◆ Luxor Dimming ■ 2700K

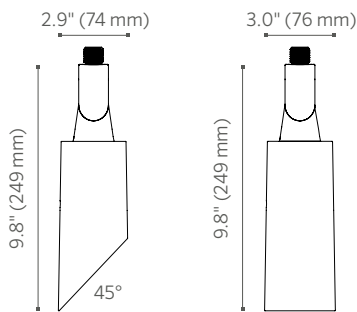
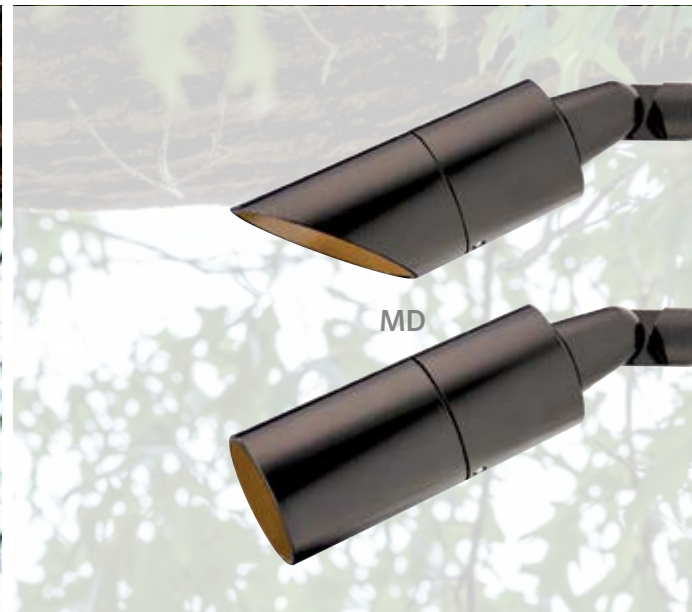


MD

The MD is specifically designed for down light applications. A specially engineered shield cover and knuckle assembly keep moisture out of the fixture.



MD



KEY FEATURES

- Built with durable, lightweight aluminum housing that withstands any weather condition
- Utilizes a premium lamp socket with a ceramic base and retaining clips for a secure and long-lasting hold
- Features ProAim® Technology with over 220° of vertical adjustability and compress-and-lock features to prevent slip after installation
- Includes Mini Mount wall bracket for easy installation right out of the box

VANTAGE MD DIRECTIONAL DOWN LIGHT

Light Source	MR-16 LED Lamp				
Power	ECO20WFL	LED20WFL	LED35WFL	ZD35WFL	LED50WFL
Total Lumens (lm)	250	260	270	270	410
Power Consumption (VA)	6.0	4.3	5.4	5.4	6.5
LED Color	■	■	■	■	■
Rated Life, L70 B10 (Hrs)	30,000	40,000	40,000	40,000	40,000
Control	● ■	● ■	● ■	◆ ◆	● ■
Beam Angle	FL (30°)	FL (35°)	FL (35°)	FL (35°)	FL (35°)
Glare Control	45° Angled, 4" (102 mm) Straight (SS)				
Included Components	Hex Key, Mini Mount Wall Bracket				
International (CE)	Specified "E" Configuration				
Finish	BZ, FB, SB, DG, WI, SV, FW				

● On/Off ■ Phase Dimmable ◆ Addressing and Zoning w/Luxor ◆ Luxor Dimming ■ 2700K

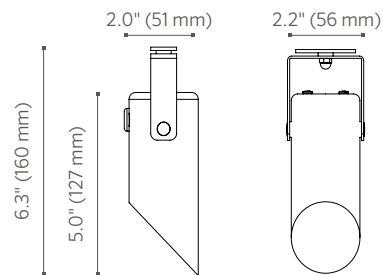




TS

TS

The adjustable TS acts like an outdoor track light, allowing complete control over lighting.



KEY FEATURES

- Built-in angled glare-control for maximum comfort in the space
- Fixed-position lamp lowers light source and offers additional room for lens accessories
- Available in a warm (3000K) color temperature

STELLA TS DIRECTIONAL DOWN LIGHT

Light Source	AR-11 Lamp
Power	LED203NF
Total Lumens (lm)	130
Power Consumption (VA)	3.8
LED Color	■
Rated Life, L70 B10 (Hrs)	20,000
Control	● ■
Beam Angle	NF (30°)
Glare Control	45° Angled
International (CE)	North America Only
Finish	CU

● On/Off ■ Phase Dimmable ■ 3000K

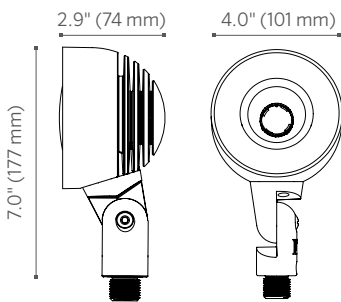




RW

RW

The flexible RW produces soft illumination for a variety of down lighting applications.



KEY FEATURES

- Built with durable, lightweight aluminum housing that withstands any weather condition
- Delivers soft wash and seamless transitions for enhanced uniformity and a more pleasant visual experience
- Frosted glass lens provides soft, even light distribution
- Built-in Luxor® Technology enables powerline zoning, smooth dimming, and RGBW color-changing with the Luxor Controller

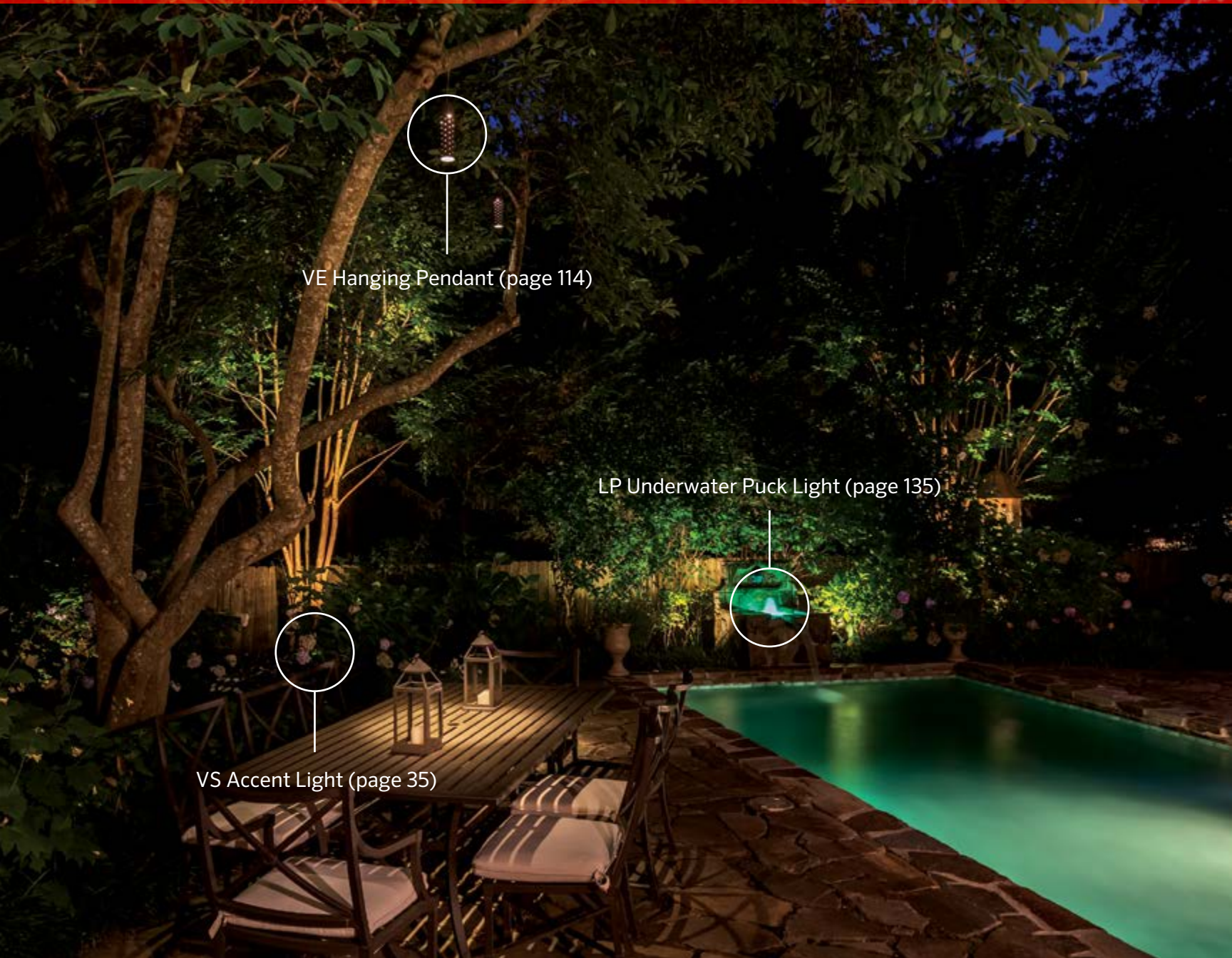
RUNA RW DIRECTIONAL DOWN LIGHT

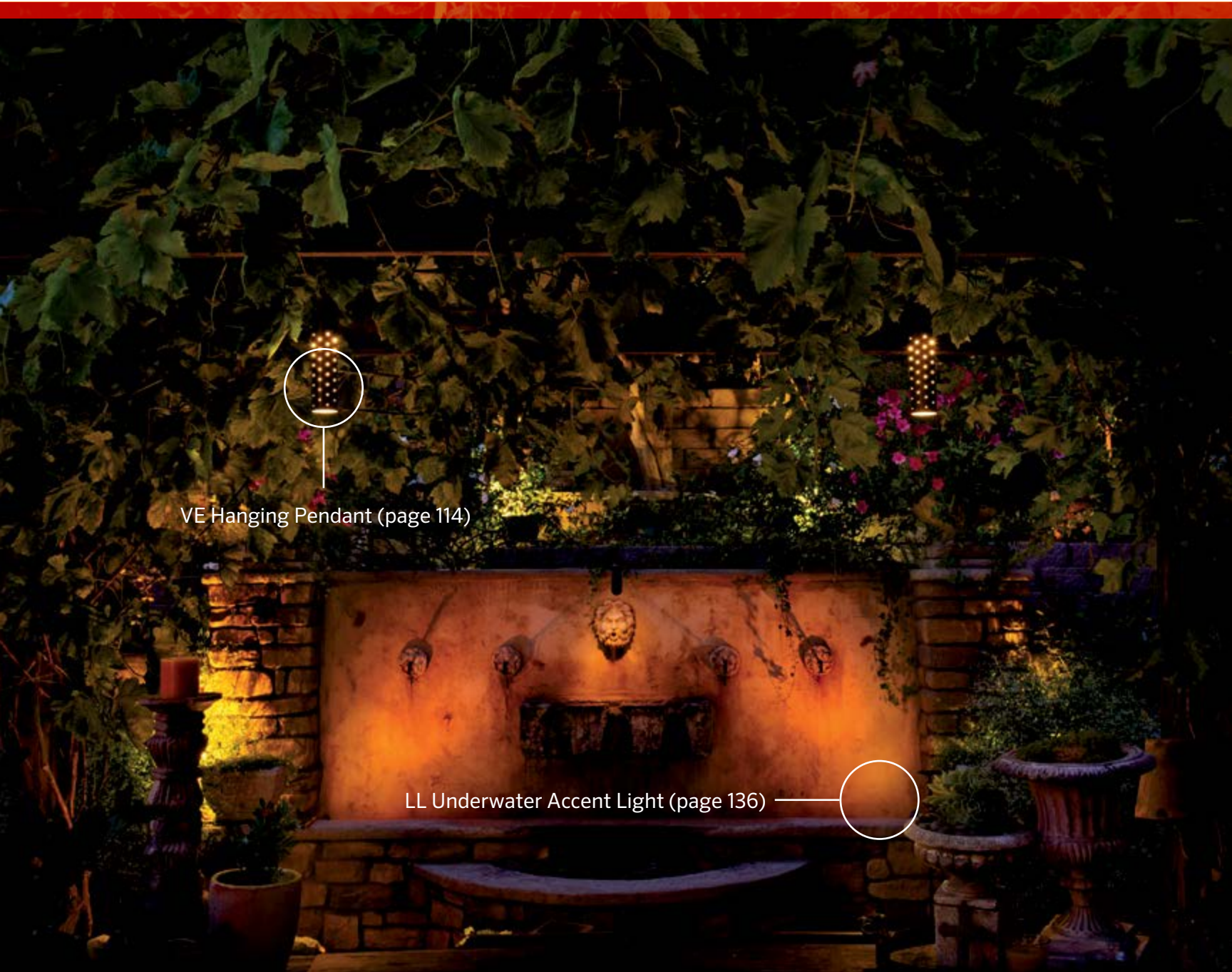
Light Source	PowerBoard® Integrated LED			
Power	3LED	6LED	9LED	ZDC
Total Lumens (lm)	250	520	720	170-225
Power Consumption (VA)	4.5	9.3	12.2	11.0
LED Color	■	■	■	■
Rated Life, L70 B10 (Hrs)	72,000	72,000	72,000	55,000
Control	● ■ ◆ ◆	● ■ ◆ ◆	● ■ ◆ ◆	◆ ◆ ◆
Beam Angle	WF (50°)	WF (50°)	WF (50°)	WF (60°)
Glare Control	Flush			
Riser Height (in inches)	8R, 12R, 18R, 24R			
Included Components	Large Slot Spike, Lock Ring			
International (CE)	Ground Mount (GM-XX) accessory required			
Finish	BZ, FB, SB, DG, WI, SV, FW			

● On/Off ■ Phase Dimmable ◆ Addressing and Zoning w/Luxor ◆ Luxor Dimming ◆ RGBW Color Changing w/Luxor ■ 2700K ■ RGBW



Pendants





VE Hanging Pendant (page 114)

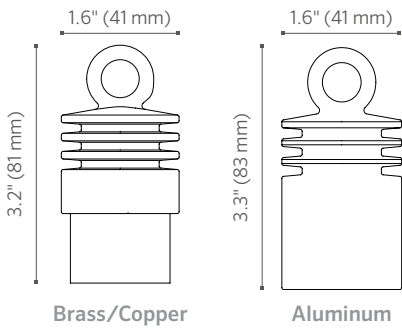
LL Underwater Accent Light (page 136)

Tie together any lighting design with hanging pendant lights. When suspended from trees or architectural elements, these fixtures help you make the most of your space while delivering soft, inviting illumination from above.



LE

Available in an aluminum or brass/copper construction, the LE is designed for overhead illumination with 1 LED.



KEY FEATURES

- Slender luminaire delivers an optimal amount of light exactly where it's needed
- Built-in Luxor® Technology enables powerline zoning and smooth PWM dimming with the industry-leading Luxor Controller
- Driver on Board Technology layout for compact design and fewer components
- Available in a warm (2700K) color temperature

RUNA LE PETITE HANGING PENDANT

Light Source	PowerBoard® Integrated LED
Power	1LED
Total Lumens (lm)	50
Power Consumption (VA)	2.2
LED Color	■
Rated Life, L70 B10 (Hrs)	72,000
Control	● ■ ◆ ◆
Beam Angle	WF (60°)
Glare Control	1" (25 mm) Straight Shroud
Included Components	Stainless Steel Hanging Cable with Lock, Hex Key
International (CE)	Specified "E" Configuration
Finish	CU, BZ, FB, SB, DG, WI, SV, FW, AB, AT, NP

● On/Off ■ Phase Dimmable ◆ Addressing and Zoning w/Luxor ◆ Luxor Dimming ■ 2700K

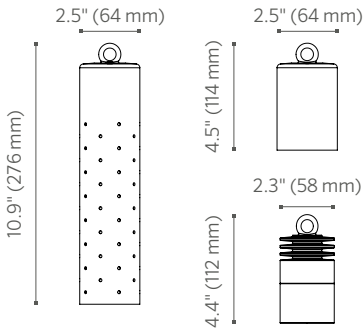


VE

When hung from above, the VE produces a moonlighting effect that softly illuminates seating areas, focal points, or landscaping features.



VE



KEY FEATURES

- Built-in Luxor® Technology enables powerline zoning, smooth dimming, and RGBW color-changing with the Luxor Controller
- Driver on Board Technology layout for compact design and fewer components
- Available in static color and dynamic RGBW color-changing options

RUNA VE HANGING PENDANT

Light Source	PowerBoard® Integrated LED		
Power	1LED	3LED	ZDC
Total Lumens (lm)	90	220	70-130
Power Consumption (VA)	2.2	4.5	7.2
LED Color	■	■	■
Rated Life, L70 B10 (Hrs)	72,000	72,000	55,000
Control	● ■ ◆ ◆	● ■ ◆ ◆	◆ ◆ ◆
Beam Angle	WF (60°)	WF (60°)	WF (60°)
Glare Control	1.5" (38 mm) Straight Shroud, 1.7" (43 mm) Straight Shroud (CR), 8" (203 mm) Straight Shroud (PS)		
Included Components	Stainless Steel Hanging Cable with Lock, Hex Key		
International (CE)	Specified "E" Configuration		
Finish	CU, BZ, FB, SB, DG, WI, SV, FW, AB, AT, NP		

● On/Off ■ Phase Dimmable ◆ Addressing and Zoning w/Luxor ◆ Luxor Dimming ◆ RGBW Color Changing w/Luxor ■ 2700K ■ RGBW

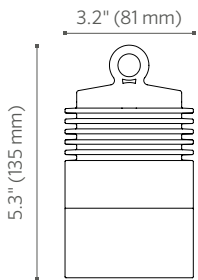




PS-HB

PS-HB

The PS-HB comes with a stainless steel cable and lock, making it easy to convert this surface-mounted fixture into a hanging pendant.



KEY FEATURES

- Built with durable, lightweight aluminum housing that withstands any weather condition
- Surface-mounted with stainless steel hardware
- Includes stainless steel cable and lock for a lasting installation
- Driver on Board Technology layout for compact design and fewer components

RUNA PS HANGING PENDANT

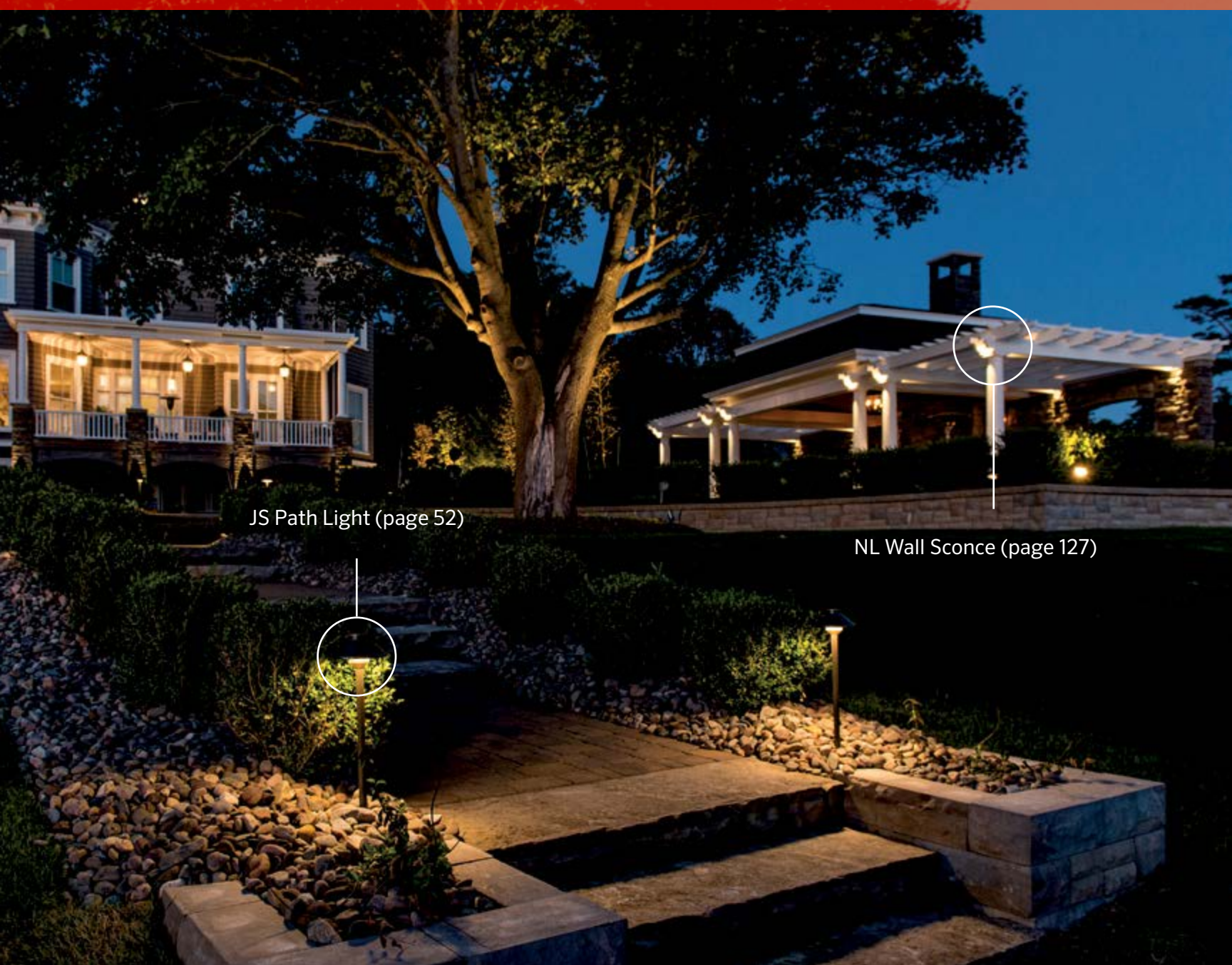
Light Source	PowerBoard® Integrated LED			
Power	3LED	6LED	9LED	ZDC
Total Lumens (lm)	295	535	795	175-415
Power Consumption (VA)	4.5	9.3	12.2	11.0
LED Color	■	■	■	■
Rated Life, L70 B10 (Hrs)	72,000	72,000	72,000	55,000
Control	● ■ ◆ ◆	● ■ ◆ ◆	● ■ ◆ ◆	◆ ◆ ◆
Beam Angle	WF (60°)	WF (60°)	WF (60°)	WF (50°)
Glare Control	1.5" (38 mm) Straight Cut-Off Shroud			
Included Components	Flood Lens, Stainless Steel Hanging Cable with Lock, Hex Key			
International (CE)	North America Only			
Finish	BZ, FB, SB, DG, WI, SV, FW			

● On/Off ■ Phase Dimmable ◆ Addressing and Zoning w/Luxor ◆ Luxor Dimming ◆ RGBW Color Changing w/Luxor ■ 2700K ■ RGBW





Surface-Mounte



JS Path Light (page 52)

NL Wall Sconce (page 127)



ed Down Lights



Surface-mounted down lights are a practical, non-invasive solution for achieving a natural moonlighting effect from above. Easy to install and maintain, these adaptable overhead lighting fixtures subtly enhance architectural elements while creating the illusion of additional space in any given area.

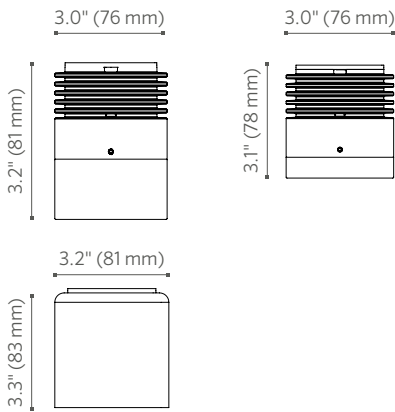
RUNACOLLECTION



PS

PS

The PS truly represents the next generation of fixed-mount LED down lights. It is meant for top-mounting and is available with an optional copper cover.



KEY FEATURES

- Built with durable, lightweight aluminum housing that withstands any weather condition
- Built-in Luxor® Technology enables powerline zoning, smooth dimming, and RGBW color-changing with the Luxor Controller
- Surface-mounted with stainless steel hardware
- Driver on Board Technology layout for compact design and fewer components

RUNA PS SURFACE-MOUNTED DOWN LIGHT

Light Source	PowerBoard® Integrated LED				
Power	3LED	3LEDT	6LED	9LED	ZDC
Total Lumens (lm)	295	175	535	795	175-415
Power Consumption (VA)	4.5	4.5	9.3	12.2	11.0
LED Color	■	■	■	■	■
Rated Life, L70 B10 (Hrs)	72,000	50,000	72,000	72,000	55,000
Control	● ■ ◆ ◆	● ■ ◆ ◆	● ■ ◆ ◆	● ■ ◆ ◆	◆ ◆ ◆
Beam Angle	WF (60°)	WF (60°)	WF (60°)	WF (60°)	WF (50°)
Glare Control	1.5" (38 mm) Straight Shroud (Aluminum), 0.5" (13 mm) Straight Cut-Off Shroud (Brass)				
Included Components	35° Flood Lens, Mounting Bracket, Hex Key				
International (CE)	Separate Mounting Kit Required (WP-RD-PS-E-XX)				
Finish	BS, BZ, FB, SB, DG, WI, SV, FW, AB, AT, NP				

● On/Off ■ Phase Dimmable ◆ Addressing and Zoning w/Luxor ◆ Luxor Dimming ◆ RGBW Color Changing w/Luxor ■ 2700K ■ Wildlife-Friendly ■ RGBW

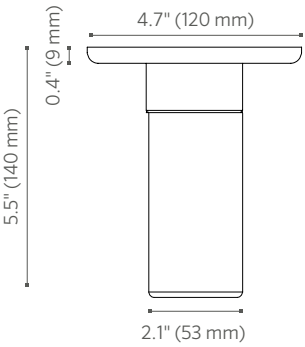
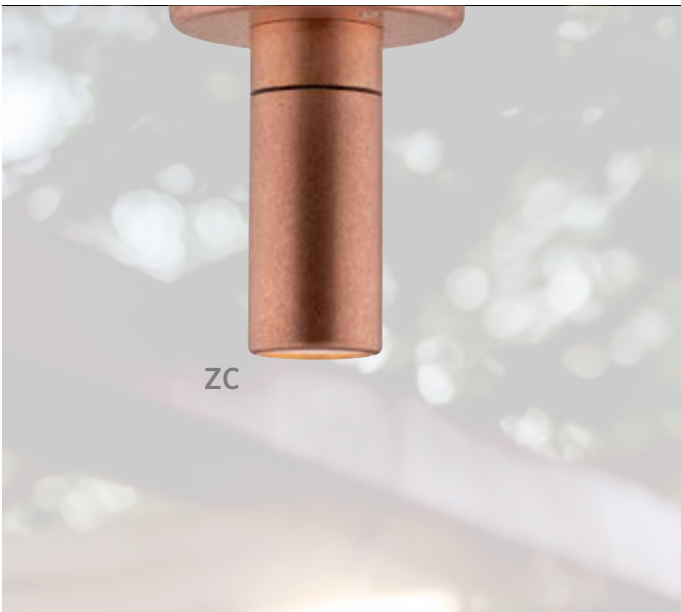




ZC

ZC

Ideal for modern architectural designs, the ZC is engineered for outdoor spaces where recessed down lights are not practical.



KEY FEATURES

- Built-in Luxor® Technology enables powerline zoning, smooth dimming, and RGBW color-changing with the Luxor Controller
- Surface-mounted with stainless steel hardware
- Factory-sealed construction
- Driver on Board Technology layout for compact design and fewer components
- Available in static color and dynamic RGBW color-changing options

RUNA ZC SURFACE-MOUNTED DOWN LIGHT

Light Source	PowerBoard® Integrated LED		
Power	1LED	3LED	ZDC
Total Lumens (lm)	55	180	180-255
Power Consumption (VA)	2.2	4.5	7.2
LED Color	■	■	■
Rated Life, L70 B10 (Hrs)	72,000	72,000	55,000
Control	● ■ ◆ ◆	● ■ ◆ ◆	◆ ◆ ◆
Beam Angle	WF (60°)	WF (60°)	WF (50°)
Glare Control	Flush		
Included Components	Mounting Bracket		
International (CE)	North America Only		
Finish	CU, BZ, FB, SB, DG, WI, SV, FW		

● On/Off ■ Phase Dimmable ◆ Addressing and Zoning w/Luxor ◆ Luxor Dimming ◆ RGBW Color Changing w/Luxor ■ 2700K ■ RGBW



Recessed Down

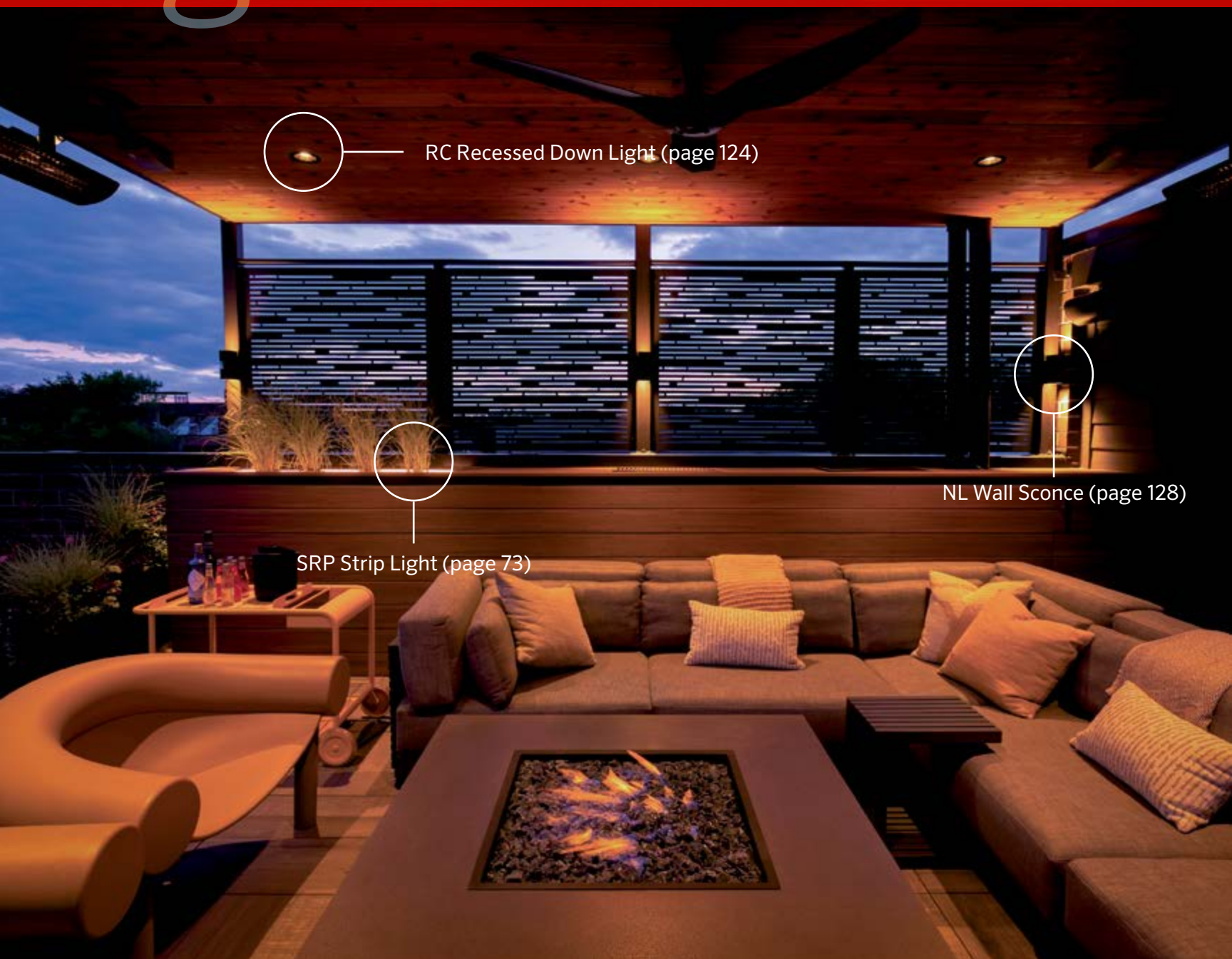


RC Recessed Down Light (page 124)

SRP Strip Light (page 73)



Lights



RC Recessed Down Light (page 124)

SRP Strip Light (page 73)

NL Wall Sconce (page 128)

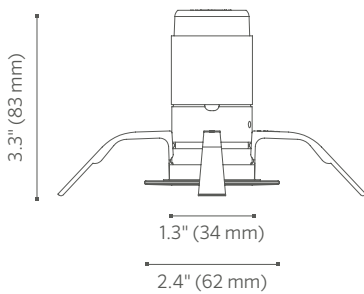
Brighten any outdoor space with recessed down lights. Featuring subtle, low-profile designs, these fixtures blend seamlessly with any ceiling for a clean, minimalist aesthetic. Use them to increase safety in kitchens, create ambiance in dining areas, or add warmth to gathering spaces.



VC

VC

The low-profile VC provides a quick and simple method for ceiling installations and features advanced dimming and control capabilities via Luxor® Technology.



KEY FEATURES

- Slender luminaire delivers an optimal amount of light exactly where it's needed
- Built with durable, lightweight aluminum housing that withstands any weather condition
- Minimal visible hardware for a clean and elegant design, day or night
- Slim, unobtrusive low-profile design offers minimalist aesthetics to accommodate other elements inside the wall

DESIGNER VC MINI RECESSED DOWN LIGHT

Light Source	PowerBoard® Integrated LED
Power	1LED
Total Lumens (lm)	155
Power Consumption (VA)	3.3
LED Color	■
Rated Life, L70 B10 (Hrs)	72,000
Control	● ■ ◆ ◆
Beam Angle	FL (32.5°)
Glare Control	1" (25 mm) Recess
Included Components	Ceiling or Wall Cavity Mount
International (CE)	North America Only
Finish	FW

● On/Off ■ Phase Dimmable ◆ Addressing and Zoning w/Luxor ◆ Luxor Dimming ■ 2700K

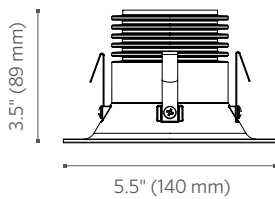
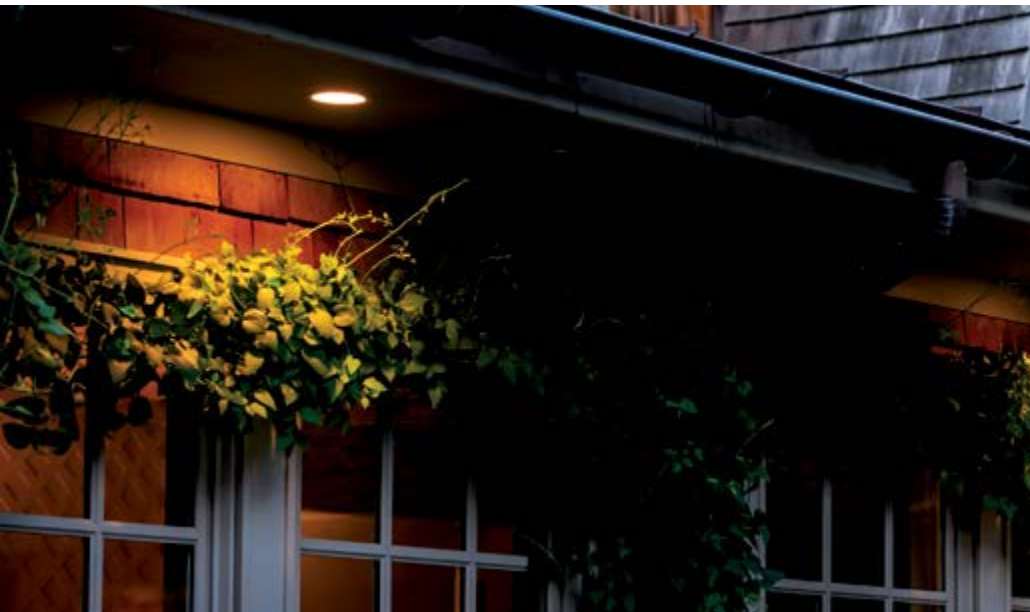




RC

RC

With a cylindrical design, the top-mounted RC is a recessed down light that enhances architectural features, such as stonework, brick, and siding.



KEY FEATURES

- Built with durable, lightweight aluminum housing that withstands any weather condition
- Slim, unobtrusive low-profile design offers minimalist aesthetics to accommodate other elements inside the wall
- Built-in Luxor® Technology enables powerline zoning, smooth dimming, and RGBW color-changing with the Luxor Controller
- Driver on Board Technology layout for compact design and fewer components

DESIGNER RC RECESSED DOWN LIGHT

Light Source	PowerBoard® Integrated LED			
Power	3LED	6LED	9LED	ZDC
Total Lumens (lm)	260	415	720	180-425
Power Consumption (VA)	4.5	9.3	12.2	11.0
LED Color	■	■	■	■
Rated Life, L70 B10 (Hrs)	72,000	72,000	72,000	55,000
Control	● ■ ◆ ◆	● ■ ◆ ◆	● ■ ◆ ◆	◆ ◆ ◆
Beam Angle	WF (60°)	WF (60°)	WF (60°)	WF (50°)
Glare Control	Baffle Trim with 1" (25 mm) Recess			
Included Components	Flood Lens, Separate Mounting Kit Required (CANR4RICAT), Hex Key			
International (CE)	North America Only			
Finish	BZ, FB, SB, DG, WI, SV, FW			

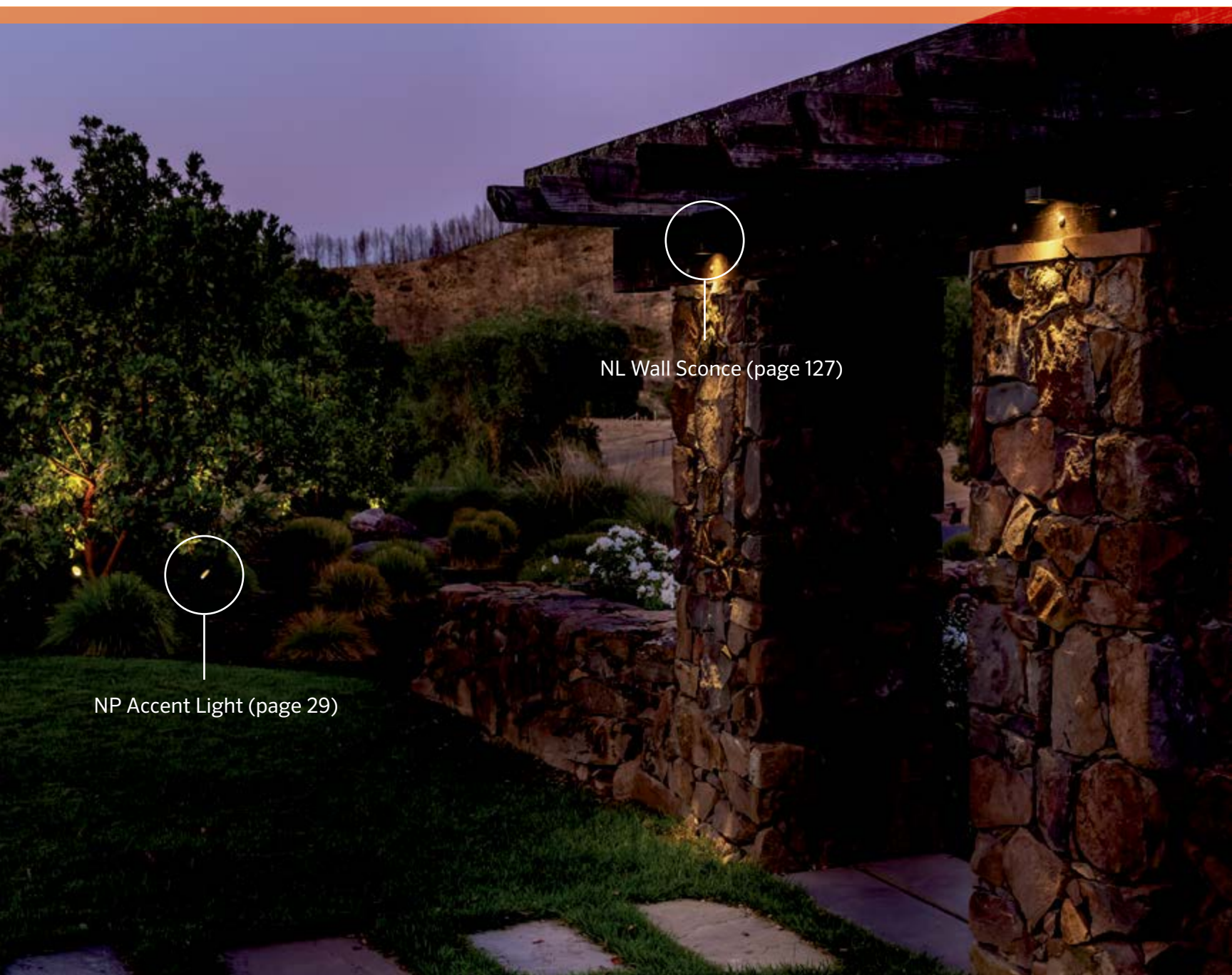
● On/Off ■ Phase Dimmable ◆ Addressing and Zoning w/Luxor ◆ Luxor Dimming ◆ RGBW Color Changing w/Luxor ■ 2700K ■ RGBW



Wall Sconces



NL Wall Sconce (page 127)



NL Wall Sconce (page 127)

NP Accent Light (page 29)

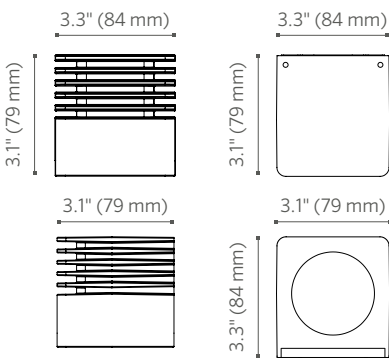
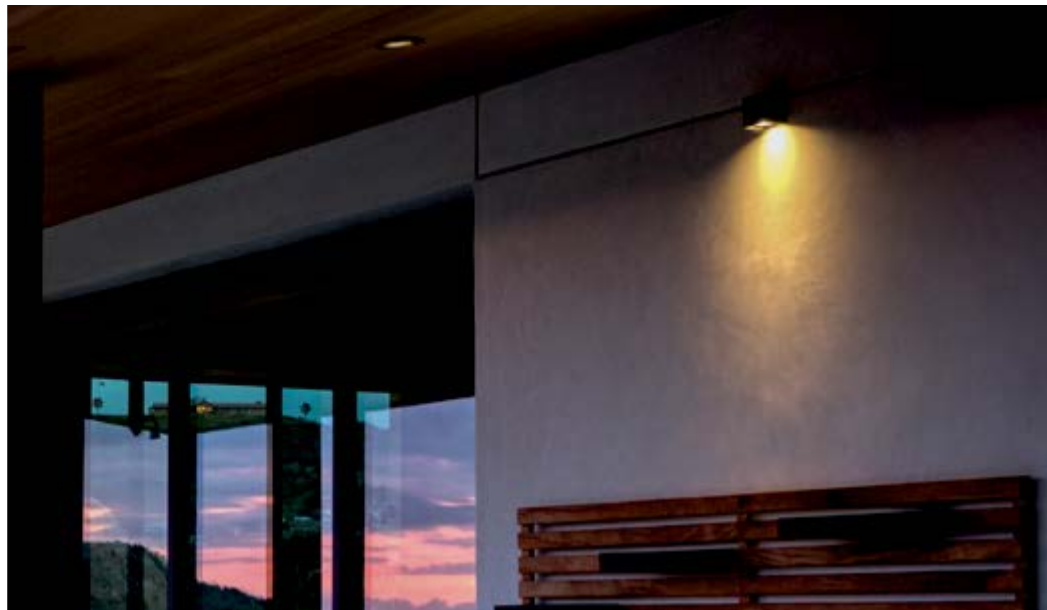
Create an intimate atmosphere with outdoor wall sconces. Easy to mount on a plate or bracket, these surface-mounted fixtures produce soft, diffused lighting that can be used to accentuate architectural features or provide directional lighting.



NL-DN

NL-DN

Available in aluminum or brass construction, this wall-mounted fixture projects light downward and is compatible with Luxor® Technology.



KEY FEATURES

- Offers down only or up-and-down configurations for various styles and effects
- Built-in Luxor® Technology enables powerline zoning, smooth dimming, and RGBW color-changing with the Luxor Controller
- Surface-mounted with stainless steel hardware
- Driver on Board Technology layout for compact design and fewer components

MODERN NL-DN WALL SCONCE

Light Source	PowerBoard® Integrated LED				
Power	3LED	3LEDT	6LED	9LED	ZDC
Total Lumens (lm)	330	175	640	865	60-330
Power Consumption (VA)	4.5	4.5	9.3	12.2	11.0
LED Color	■	■	■	■	■
Rated Life, L70 B10 (Hrs)	72,000	50,000	72,000	72,000	55,000
Control	● ■ ◆ ◆	● ■ ◆ ◆	● ■ ◆ ◆	● ■ ◆ ◆	◆ ◆ ◆ ◆
Beam Angle	WF (60°)	WF (60°)	WF (60°)	WF (60°)	WF (50°)
Glare Control	0.5" (13 mm) Straight Cut-Off Shroud				
Included Components	Flood Lens, Mounting Bracket, Hex Key				
International (CE)	Specified "E" Configuration				
Finish	BS, BZ, FB, SB, DG, WI, SV, FW, CU, AB, AT, NP				

● On/Off ■ Phase Dimmable ◆ Addressing and Zoning w/Luxor ◆ Luxor Dimming ◆ RGBW Color Changing w/Luxor ■ 2700K ■ Wildlife-Friendly ■ RGBW

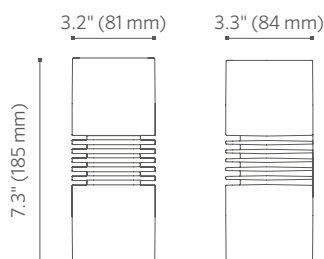


NL-UD

Compatible with Luxor Technology, this wall-mounted fixture features a geometric look with an option for down only or up/down configurations.



NL-UD



KEY FEATURES

- Offers down only or up-and-down configurations for various styles and effects
- Built-in Luxor® Technology enables powerline zoning, smooth dimming, and RGBW color-changing with the Luxor Controller
- Surface-mounted with stainless steel hardware
- Driver on Board Technology layout for compact design and fewer components

MODERN NL-UD WALL SCONCE

Light Source	PowerBoard® Integrated LED			
Power	3LED	6LED	9LED	ZDC
Total Lumens (lm)	555	1,100	1,715	590-1,395
Power Consumption (VA)	9.0	18.6	24.4	22.0
LED Color	■	■	■	■
Rated Life, L70 B10 (Hrs)	72,000	72,000	72,000	55,000
Control	● ■ ◆ ◆	● ■ ◆ ◆	● ■ ◆ ◆	◆ ◆ ◆
Beam Angle	WF (60°)	WF (60°)	WF (60°)	WF (50°)
Glare Control	1.5" (39 mm) Straight Cut-Off Shroud			
Included Components	Flood Lens, Mounting Bracket, Hex Key			
International (CE)	Specified "E" Configuration			
Finish	CU, BZ, FB, SB, DG, WI, SV, FW, AB, AT			

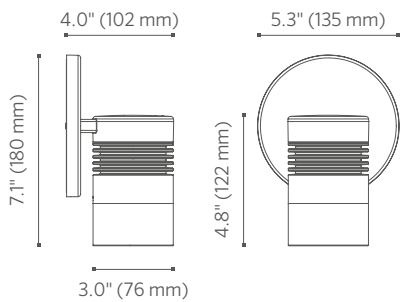
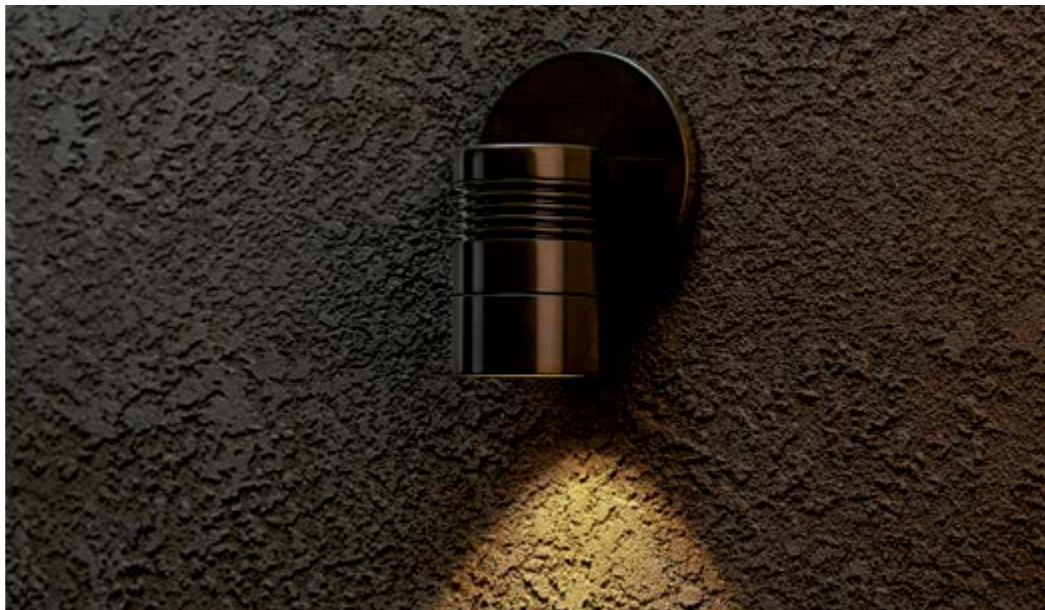
● On/Off ■ Phase Dimmable ◆ Addressing and Zoning w/Luxor ◆ Luxor Dimming ◆ RGBW Color Changing w/Luxor ■ 2700K ■ RGBW





SD

The simple, cylindrical drum design of the SD Wall Sconce complements a range of applications.



KEY FEATURES

- Built-in Luxor® Technology enables powerline zoning, smooth dimming, and RGBW color-changing with the Luxor Controller
- Surface-mounted with stainless steel hardware
- Driver on Board Technology layout for compact design and fewer components
- Available in static color and dynamic RGBW color-changing options
- Meets ADA requirements for sconce depth from wall

RUNA SD WALL SCONCE

Light Source	PowerBoard® Integrated LED			
Power	3LED	6LED	9LED	ZDC
Total Lumens (lm)	245	390	565	130-305
Power Consumption (VA)	4.5	9.3	12.2	11.0
LED Color	■	■	■	■
Rated Life, L70 B10 (Hrs)	72,000	72,000	72,000	55,000
Control	● ■ ◆ ◆	● ■ ◆ ◆	● ■ ◆ ◆	◆ ◆ ◆
Beam Angle	WF (60°)	WF (60°)	WF (60°)	WF (50°)
Glare Control	1.5" (38 mm) Straight Cut-off Shroud			
Included Components	35° Flood Lens, Mounting Bracket			
International (CE)	North America Only			
Finish	BZ, FB, SB, DG, WI, SV, FW			

● On/Off ■ Phase Dimmable ◆ Addressing and Zoning w/Luxor ◆ Luxor Dimming ◆ RGBW Color Changing w/Luxor ■ 2700K ■ RGBW

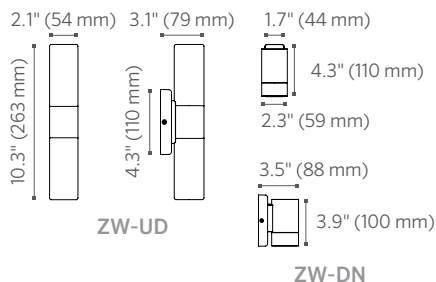




ZW

ZW

With a compact, fixed-position design, the ZW provides direct or indirect light for grazing walls and other accent illumination needs.



KEY FEATURES

- Offers down only or up-and-down configurations for various styles and effects
- Minimal visible hardware for a clean and elegant design, day or night
- Built-in Luxor® Technology enables powerline zoning, smooth dimming, and RGBW color-changing with the Luxor Controller
- Surface-mounted with stainless steel hardware
- Factory-sealed construction

RUNA ZW WALL SCONCE

Light Source	PowerBoard® Integrated LED		
Orientation	Down (Up/Down)		
Power	1LED	3LED	ZDC
Total Lumens (lm)	65 (130)	210 (420)	180-255 (360-510)
Power Consumption (VA)	2.2 (4.4)	4.5 (9.0)	7.2 (14.4)
LED Color	■	■	■
Rated Life, L70 B10 (Hrs)	72,000	72,000	55,000
Control	● ■ ◆ ◆	● ■ ◆ ◆	◆ ◆ ◆
Beam Angle	WF (60°)	WF (60°)	WF (50°)
Glare Control	Flush		
Included Components	Mounting Bracket		
International (CE)	North America Only		
Finish	CU, BZ, FB, SB, DG, WI, SV, FW, NP, SS		

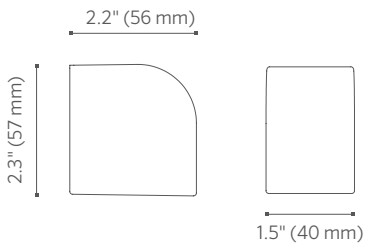
● On/Off ■ Phase Dimmable ◆ Addressing and Zoning w/Luxor ◆ Luxor Dimming ◆ RGBW Color Changing w/Luxor ■ 2700K ■ RGBW





QL

At 1.5" (38 mm) wide, the compact QL is ideal for mounting on narrow posts, perimeter fencing, pool enclosures, columns, doorways, and pergolas.



KEY FEATURES

- Slender luminaire delivers an optimal amount of light exactly where it's needed
- Minimal visible hardware for a clean and elegant design, day or night
- Built-in Luxor® Technology enables powerline zoning and smooth PWM dimming with the industry-leading Luxor Controller
- Surface-mounted with stainless steel hardware

MODERN QL WALL SCONCE

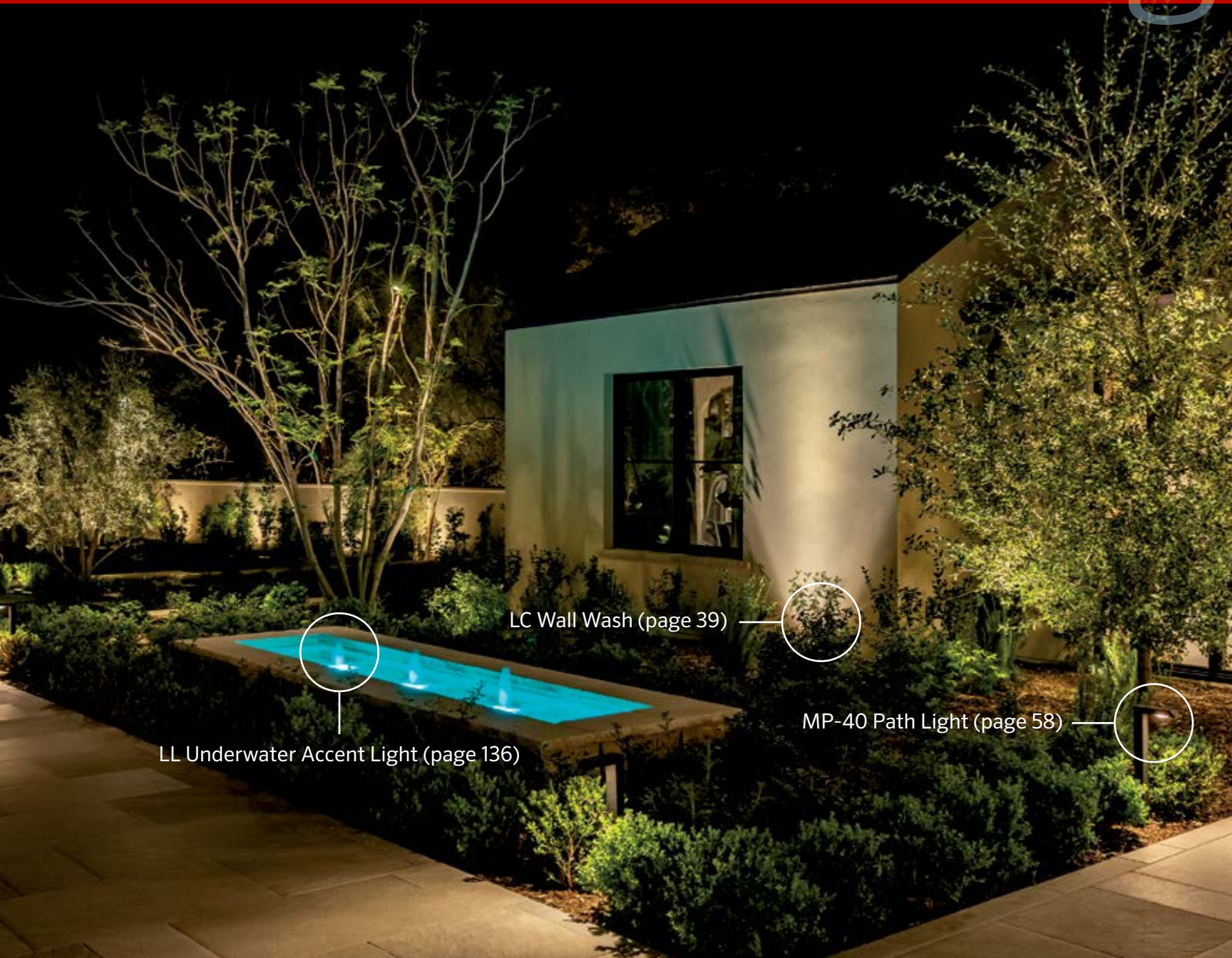
Light Source	PowerBoard® Integrated LED
Power	1LED
Total Lumens (lm)	110
Power Consumption (VA)	2.2
LED Color	■
Rated Life, L70 B10 (Hrs)	72,000
Control	● ■ ◆ ◆
Beam Angle	WF (60°)
Included Components	Mounting Bracket, Hex Key
International (CE)	Specified "E" Configuration
Finish	BZ, FB, SB, DG, WI, SV, FW

● On/Off ■ Phase Dimmable ◆ Addressing and Zoning w/Luxor ◆ Luxor Dimming ■ 2700K





Underwater Lig



LL Underwater Accent Light (page 136)

LC Wall Wash (page 39)

MP-40 Path Light (page 58)



hts

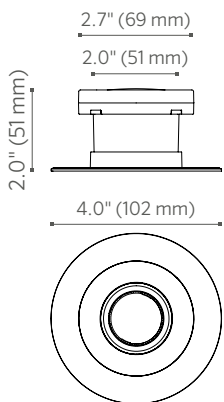


Transform pools, fountains, and other water features into enchanting displays of light! Designed to enhance water's natural beauty, underwater lights showcase depth, movement, and texture to create a stunning visual experience.



LP

Designed for small spaces, the LP is our smallest integrated LED underwater light. It features a natural brass construction to provide durability and long life.



KEY FEATURES

- Premium, corrosion-resistant brass construction protects internal and external elements of the fixture
- Horizontal or vertical cable entry locations
- Serviceable with an IP68 rating
- Built-in Luxor® Technology enables powerline zoning, smooth dimming, and RGBW color-changing with the Luxor Controller

PINNACLE LP UNDERWATER PUCK LIGHT

Light Source	PowerBoard® Integrated LED			
Power	1LED	3LED	3LEDT	ZDC
Total Lumens (lm)	75	175	120	150-350
Power Consumption (VA)	2.2	4.5	4.5	7.2
LED Color	■	■	■	■
Rated Life, L70 B10 (Hrs)	72,000	72,000	50,000	55,000
Control	● ■ ◆ ◆	● ■ ◆ ◆	● ■ ◆ ◆	◆ ◆ ◆
Beam Angle	WF (60°)	WF (60°)	WF (60°)	WF (50°)
Glare Control	Flush			
Included Components	Support Stand			
International (CE)	Specified "E" Configuration			
Finish	BS			

● On/Off ■ Phase Dimmable ◆ Addressing and Zoning w/Luxor ◆ Luxor Dimming ◆ RGBW Color Changing w/Luxor ■ 2700K ■ Wildlife-Friendly ■ RGBW

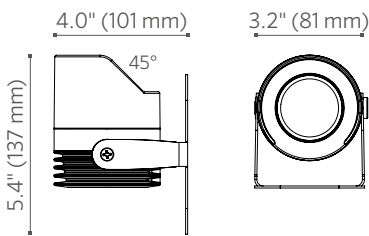




LL

LL

For highly versatile underwater lighting, the LL combines the efficiency of LED Technology with the zoning, dimming, and color-changing capabilities of ZD and ZDC Technology®.



KEY FEATURES

- Premium, corrosion-resistant brass construction protects internal and external elements of the fixture
- Built-in Luxor® Technology enables powerline zoning, smooth dimming, and RGBW color-changing with the Luxor Controller
- Serviceable with an IP68 rating
- Driver on Board Technology layout for compact design and fewer components

PINNACLE LL UNDERWATER ACCENT LIGHT

Light Source	PowerBoard® Integrated LED				
Power	3LED	3LEDT	6LED	9LED	ZDC
Total Lumens (lm)	225	120	445	600	145-335
Power Consumption (VA)	4.5	4.5	9.3	12.2	11.0
LED Color	■	■	■	■	■
Rated Life, L70 B10 (Hrs)	72,000	50,000	72,000	72,000	55,000
Control	● ■ ◆ ◆	● ■ ◆ ◆	● ■ ◆ ◆	● ■ ◆ ◆	◆ ◆ ◆
Beam Angle	FL (35°)	FL (35°)	FL (35°)	FL (35°)	FL (50°)
Glare Control	45° Angled				
Included Components	60° Wide Flood Lens, Heat Shrink Wire Connectors				
International (CE)	Specified "E" Configuration				
Finish	BS				

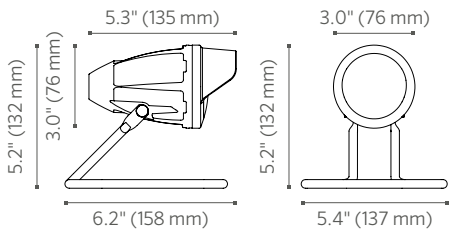
● On/Off ■ Phase Dimmable ◆ Addressing and Zoning w/Luxor ◆ Luxor Dimming ◆ RGBW Color Changing w/Luxor ■ 2700K ■ Wildlife-Friendly ■ RGBW



STELLA COLLECTION

LB

Designed to bring elegance and functionality to any fountain, pond, or water feature, the LB offers the durability of brass with the simplicity of an MR-16 lamp for reliable underwater illumination year-round.



KEY FEATURES

- Premium, corrosion-resistant brass construction protects internal and external elements of the fixture
- Utilizes a premium lamp socket with a ceramic base and retaining clips for a secure and long-lasting hold
- Serviceable with an IP68 rating
- Available in a warm (2700K) color temperature

STELLA LB UNDERWATER ACCENT LIGHT

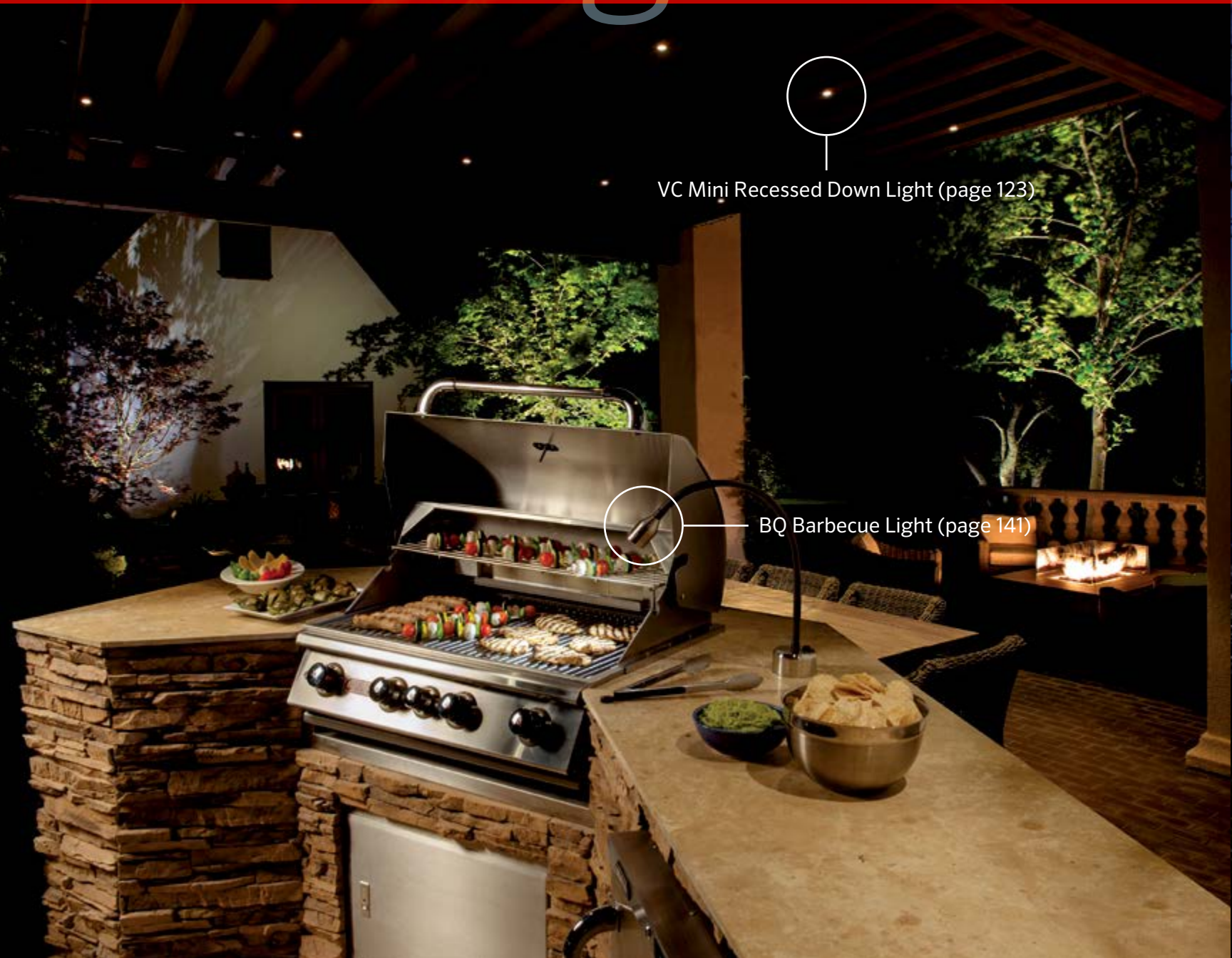
Light Source	MR-16 LED Lamp		
Power	LED20WFL	LED35WFL	LED50WFL
Total Lumens (lm)	180	250	310
Power Consumption (VA)	4.3	5.4	6.5
LED Color	■	■	■
Rated Life, L70 B10 (Hrs)	40,000	40,000	40,000
Control	● ■	● ■ ◆ ◆	● ■
Beam Angle	FL (35°)	FL (35°)	FL (35°)
Glare Control	55° Angled Shroud		
Included Components	Mounting Bracket, Heat Shrink Wire Connectors		
International (CE)	North America Only		
Finish	BS		

● On/Off ■ Phase Dimmable ◆ Addressing and Zoning w/Luxor ◆ Luxor Dimming ■ 2700K





Task Lights



VC Mini Recessed Down Light (page 123)



BQ Barbecue Light (page 141)



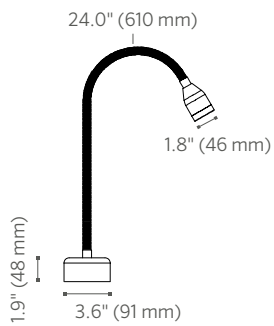
Ample lighting is a must when grilling on the patio, reading by the pool, or entertaining in the backyard. Task lighting is designed to provide the perfect amount of light for any evening task to ensure safety, reduce eye strain, promote interaction, and more.



BQ

BQ

Designed to work with the Luxor® System, this stainless steel task light illuminates outdoor grilling, kitchen, and reading areas. It can also be operated independently with an optional plug-in transformer.



KEY FEATURES

- Machined, stainless steel construction
- Built-in Luxor® Technology enables powerline zoning and smooth PWM dimming with the industry-leading Luxor Controller
- Driver on Board Technology layout for compact design and fewer components
- Available in a warm (2700K) color temperature

RUNA BQ BARBECUE LIGHT

Light Source	PowerBoard® Integrated LED
Power	1LED
Total Lumens (lm)	80
Power Consumption (VA)	2.2
LED Color	■
Rated Life, L70 B10 (Hrs)	72,000
Control	● ■ ◆ ◆
Beam Angle	SP (20°)
Glare Control	0.5" Straight Shroud
Included Components	Mounting Hardware
International (CE)	North America Only
Finish	SS

● On/Off ■ Phase Dimmable ◆ Addressing and Zoning w/Luxor ◆ Luxor Dimming ◆ RGBW Color Changing w/Luxor ■ 2700K





Line-Voltage Fi

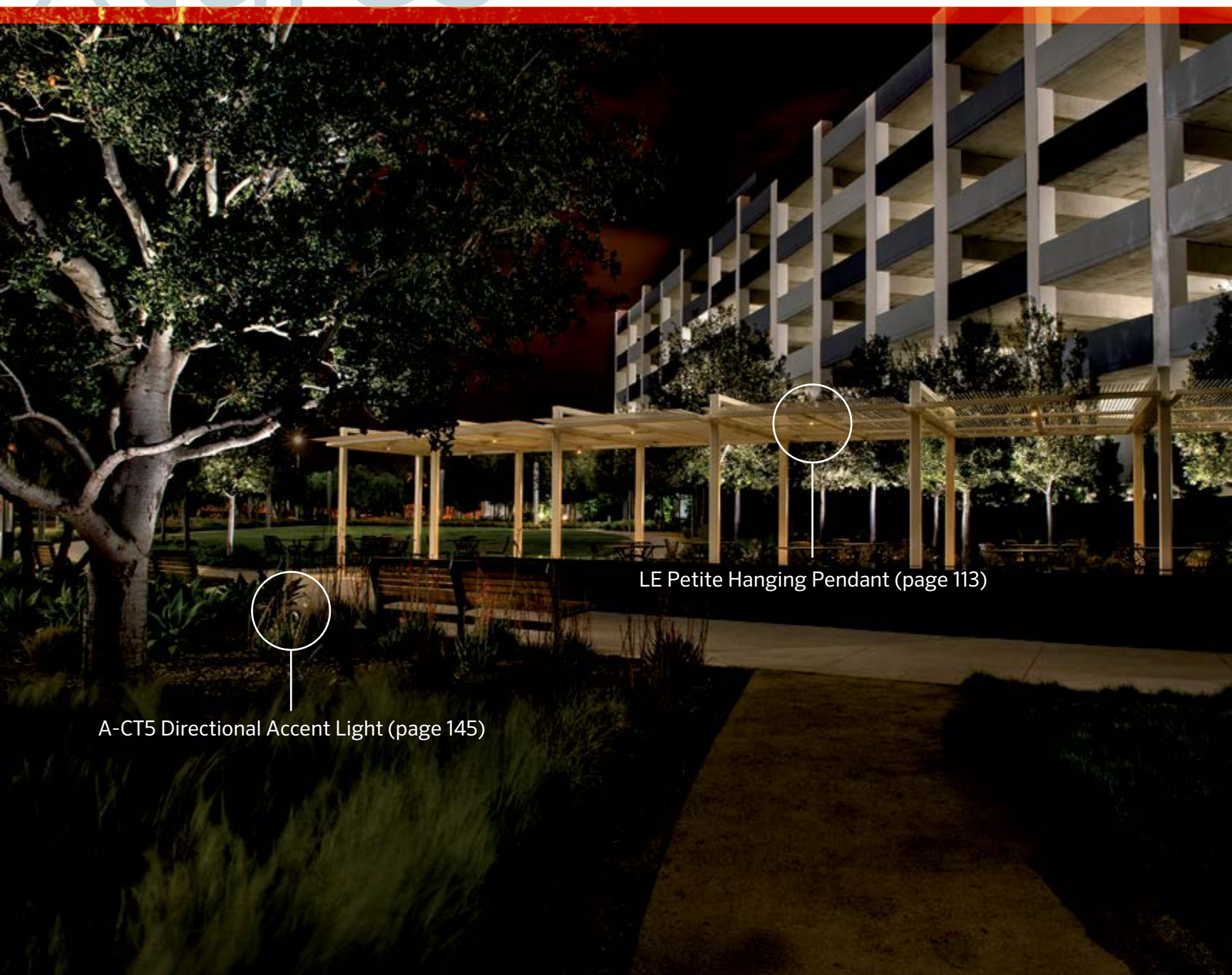


PB Wall Wash (page 39)

PB Wall Wash (page 39)



xtures



A-CT5 Directional Accent Light (page 145)

LE Petite Hanging Pendant (page 113)

For maximum light output, line-voltage fixtures combine robust engineering with modern designs. Simply specify your preferred control, output, color temperature, and optics to achieve ultimate flexibility and versatility.



A-CT4



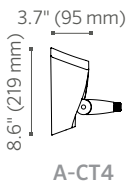
A-CT5

A-CT4 & A-CT5

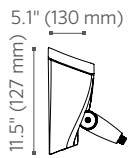
The elegant and versatile A-CT4 and A-CT5 Accent Lights are especially useful for highlighting facades, signage, and other architectural features.



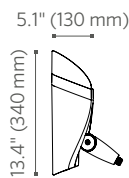
A-CT



A-CT4



A-CT5



A-CT5

KEY FEATURES

- Built with durable, lightweight aluminum housing that withstands any weather condition
- Built-in tamper-resistant features
- Minimal visible hardware for a clean and elegant design, day or night
- Eased square design ensures fixture fits within many styles of architecture

APEX A-CT4 DIRECTIONAL ACCENT LIGHT

APEX A-CT5 DIRECTIONAL ACCENT LIGHT

	APEX A-CT4 DIRECTIONAL ACCENT LIGHT	APEX A-CT5 DIRECTIONAL ACCENT LIGHT
Light Source	Integrated LED	Integrated LED
Power	Remote Driver	Integrated Driver
Total Lumens (lm)	500-1,025	630-1,855
Power Consumption (VA)	7.6-15.3	7.6-24.3
LED Color	■ ■ ■	■ ■ ■
Rated Life, L70 B10 (Hrs)	55,000	55,000
Control	● ▲ ■	● ▲ ■
Beam Angle	SP (20°), FL (40°), WF (60°)	SP (20°), FL (40°), WF (60°), VW (90°), WW (90° x 120°)
Glare Control	20° Angled, 40° Angled (LS)	20° Angled, 40° Angled (LS)
Installation Components	Separate Mounting Kit Required (MK-CT4)	-
International (CE)	Specified "HV" Configuration	
Finish	BZ, FB, SB, DG, WI, SV, FW	

● On/Off ▲ 0-10V ■ Phase Dimmable ■ 2700K ■ 3000K ■ 4000K

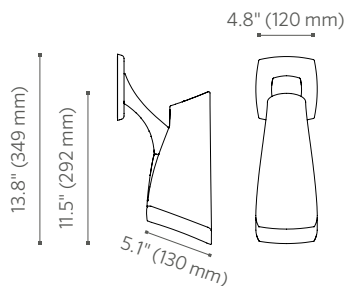


A-ST5

The curvilinear, organic form of the A-ST5 Wall Sconce begins as an eased square that gently transitions to a circle. Inside, a removable cartridge houses all components for easy servicing.



A-ST5



KEY FEATURES

- Built with durable, lightweight aluminum housing that withstands any weather condition
- Built-in tamper-resistant features
- Minimal visible hardware for a clean and elegant design, day or night
- Eased square design ensures fixture fits within many styles of architecture
- Line voltage for architectural and commercial applications

APEX A-ST5 GRANDE WALL SCONCE

Light Source	Integrated LED
Power	Integrated Driver
Total Lumens (lm)	570-1,835
Power Consumption (VA)	7.6-24.3
LED Color	■ ■ ■
Rated Life, L70 B10 (Hrs)	55,000
Control	● ▲ ■
Beam Angle	SP (20°), FL (40°), WF (60°)
Glare Control	20° Angled
Installation Components	Mounting Bracket, Hex Key
International (CE)	North America Only
Finish	BZ, FB, SB, DG, WI, SV, FW

● On/Off ▲ 0-10V ■ Phase Dimmable ■ 2700K ■ 3000K ■ 4000K





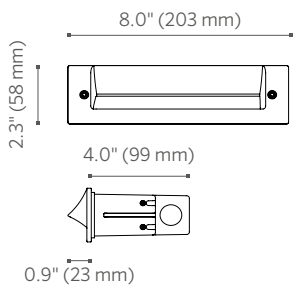
A-HS

A-HS

With distinctive performance and a low-profile package, the A-HS Recessed Wall Light adds a layer of elegance to any commercial space.



A-HS



KEY FEATURES

- Built with durable, lightweight aluminum housing that withstands any weather condition
- Built-in tamper-resistant features
- Minimal visible hardware for a clean and elegant design, day or night
- The unique floor-grazing optics reduce the required height of architectural elements that house and install the luminaire

APEX A-HS RECESSED WALL LIGHT

Light Source	Integrated LED
Power	Integrated Driver
Total Lumens (lm)	370-690
Power Consumption (VA)	8.7-11.8
LED Color	■ ■
Rated Life, L70 B10 (Hrs)	60,000
Control	● ▲ ■
Beam Angle	Floor Graze (FG), Performance Wash (PW)
Glare Control	50° (LS)
Installation Components	Separate Mounting Kit Required (MK-HS)
International (CE)	Approved for Global Use
Finish	BZ, FB, SB, DG, WI, SV, FW

● On/Off ▲ 0-10V ■ Phase Dimmable ■ 3000K ■ 4000K





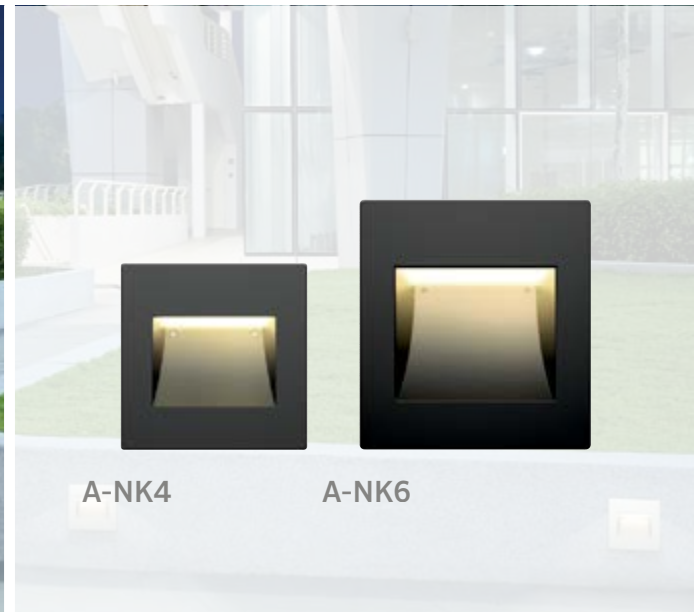
A-NK4



A-NK6

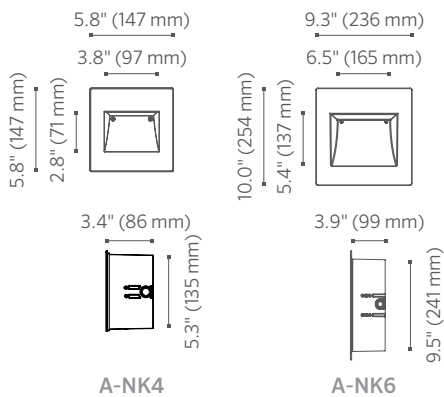
A-NK4 & A-NK6

The specially designed A-NK4 and A-NK6 Wall Lights complement traditional, modern, and classical architecture, adding a refined look to outdoor spaces.



A-NK4

A-NK6



KEY FEATURES

- Slender luminaire delivers an optimal amount of light exactly where it's needed
- Built with durable, lightweight aluminum housing that withstands any weather condition
- Built-in tamper-resistant features
- Minimal visible hardware for a clean and elegant design, day or night

APEX A-NK4 RECESSED WALL LIGHT

APEX A-NK6 RECESSED WALL LIGHT

	APEX A-NK4 RECESSED WALL LIGHT	APEX A-NK6 RECESSED WALL LIGHT
Light Source	Integrated LED	Integrated LED
Power	Integrated Driver	Integrated Driver
Total Lumens (lm)	290-600	500-1,490
Power Consumption (VA)	6.8-10.0	7.6-25.1
LED Color	■ ■	■ ■
Rated Life, L70 B10 (Hrs)	55,000	55,000
Control	● ▲ ■	● ▲ ■
Installation Components	Separate Mounting Kit Required (MK-NK4)	Separate Mounting Kit Required (MK-NK6)
International (CE)	North America Only	Specified "HV" Configuration
Finish	BZ, FB, SB, DG, WI, SV, FW	BZ, FB, SB, DG, WI, SV, FW

● On/Off ▲ 0-10V ■ Phase Dimmable ■ 3000K ■ 4000K

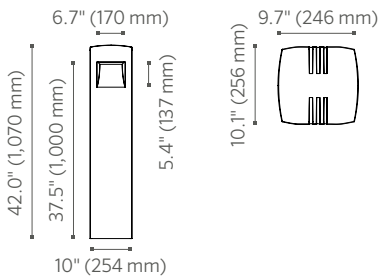




A-BR10

A-BR10

Engineered with sharp lines and rounded curves, the A-BR10 complements traditional, modern, and classical architecture and blends seamlessly into projects of all scopes.



KEY FEATURES

- Crafted from sturdy die-cast and extruded aluminum, ensuring resilience and longevity
- Built-in tamper-resistant features
- Minimal visible hardware for a clean and elegant design, day or night
- Variable throw distances, orientations, luminous flux, correlated color temperature, and control options

APEX A-BR10 COMMERCIAL BOLLARD

Light Source	Integrated LED
Power	Integrated Driver
Total Lumens (lm)	320-2,800
Power Consumption (VA)	7.9-49.8
LED Color	■ ■ ■
Rated Life, L70 B10 (Hrs)	55,000
Control	● ▲ ■
Height	42" (1,070 mm)
Installation Components	Separate Mounting Kit Required (MK-BR10)
International (CE)	Specified "HV" Configuration
Finish	BZ, FB, SB, DG, WI, SV, FW

● On/Off ▲ 0-10V ■ Phase Dimmable ■ 2700K ■ 3000K ■ 4000K

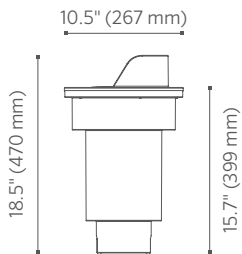




A-KN

A-KN

Ranging from 600 to 1,900 lumens, this adjustable angle in-grade features a removable, circular cartridge that houses all components for easy access and servicing.



KEY FEATURES

- Built with durable, lightweight aluminum housing that withstands any weather condition
- Built-in tamper-resistant features
- Minimal visible hardware for a clean and elegant design, day or night
- Removable lighting cartridge for fast and intuitive servicing
- Line voltage for architectural and commercial applications

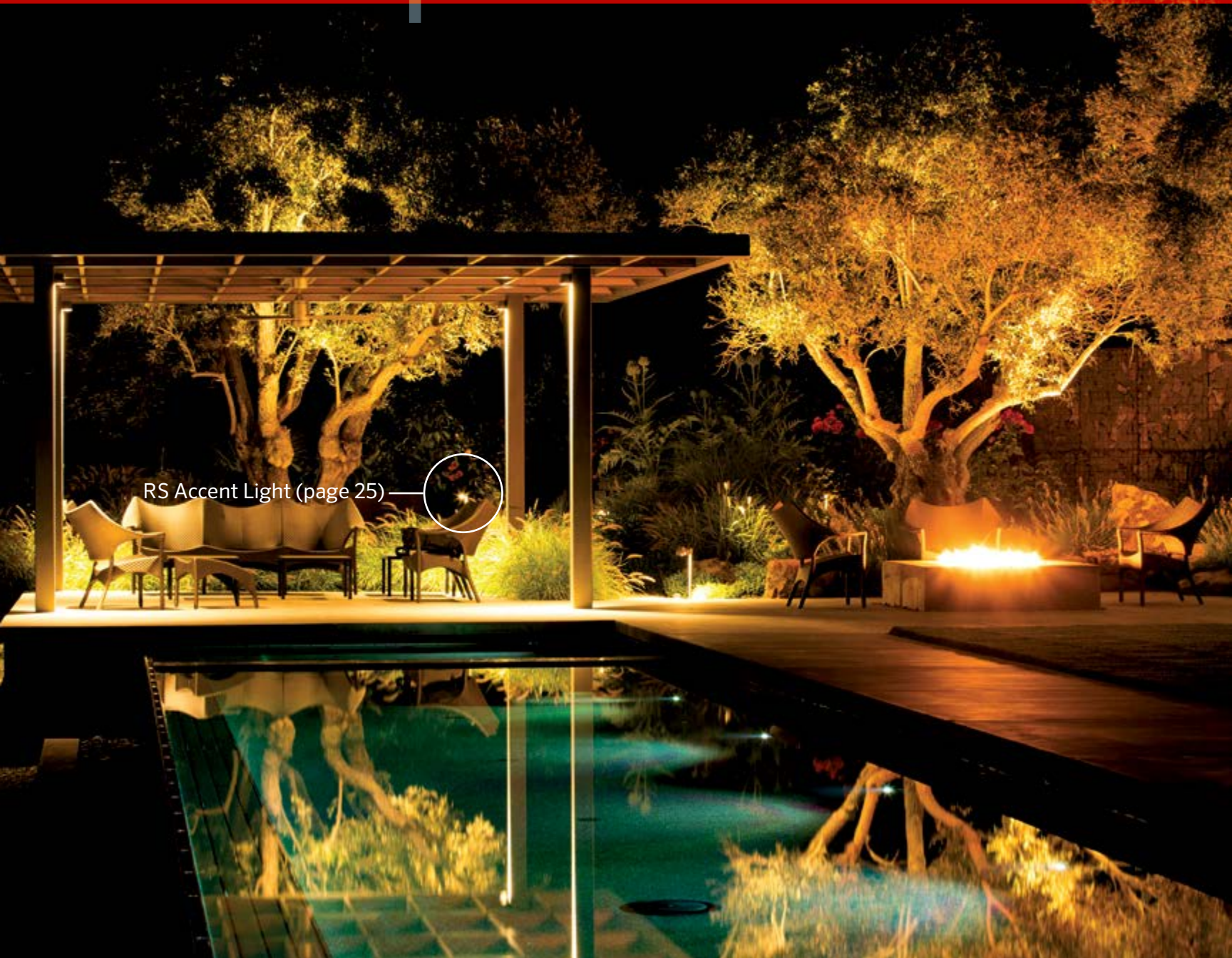
APEX A-KN GRANDE IN-GRADE

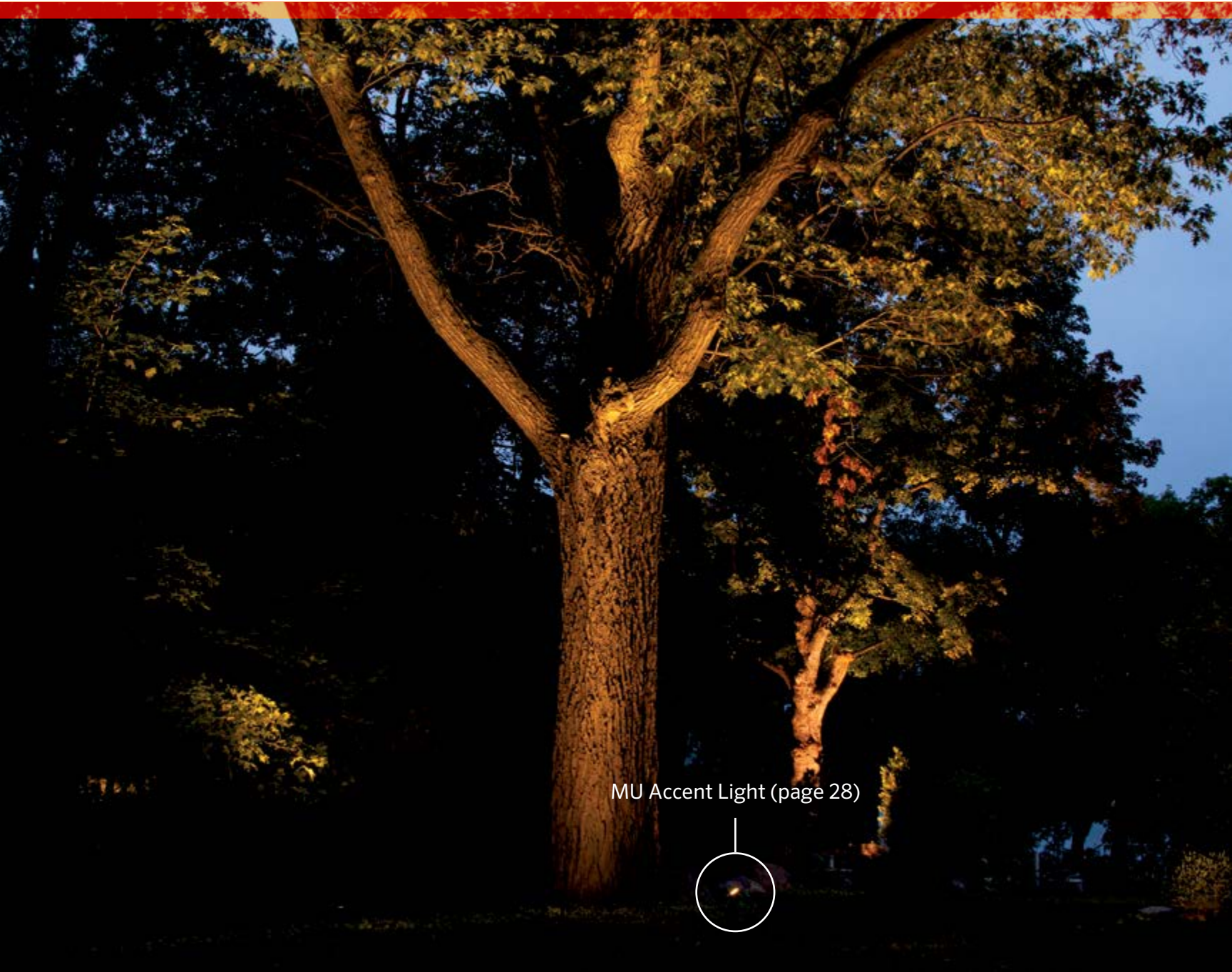
Light Source	Integrated LED
Power	Integrated Driver
Total Lumens (lm)	600 to 1,900
Power Consumption (VA)	7.6–24.3
LED Color	■ ■ ■
Rated Life, L70 B10 (Hrs)	55,000
Control	● ▲ ■
Beam Angle	SP (20°), FL (40°), WF (60°)
Glare Control	Flush, 20° (CW)
Installation Components	Separate Mounting Kit Required (MK-KN), Hex Key
International (CE)	Specified “HV” Configuration
Finish	BZ, FB, SB, DG, WI, SV, FW

● On/Off ▲ 0-10V ■ Phase Dimmable ■ 2700K ■ 3000K ■ 4000K



Lamps





MU Accent Light (page 28)

Our line of high-efficiency lamps offers maximum design flexibility and a universal system for easy replacements and retrofits. Choose from a variety of types, color temperatures, and beam angles to create a custom look.



MR-16 LED



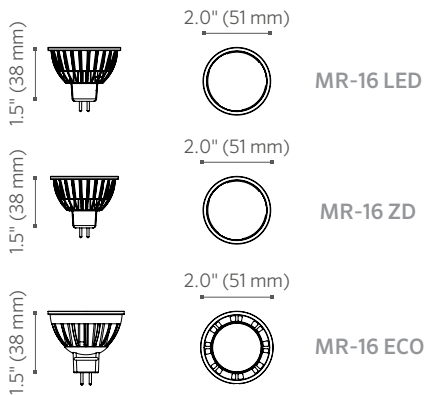
MR-16 ZD



MR-16 Eco

MR-16 LED, MR-16 ZD, MR-16 Eco

Choose from three high-quality MR-16 LED lamps: the standard MR-16 LED, the economical MR-16 Eco, and the MR-16 ZD, which adds zoning and dimming to any fixture when used with a Luxor Controller.



KEY FEATURES

- Multiple color temperature options: warm (2700K), soft (3000K), and cool (4000K)
- Various beam angles: VN (10°), FL (35°), WF (60°)
- Up to three intensities: 4 W, 5 W, and 6 W (20 W, 35 W, and 50 W halogen equivalents)
- Zoning and dimming capabilities with Luxor® Technology (ZD model only)

	MR-16 LED LAMP			MR-16 ZD LED LAMP		MR-16 ECO LED LAMP	
	LED20W	LED35W	LED50W	ZD35W	ZD50W	E6	E9
Power	LED20W	LED35W	LED50W	ZD35W	ZD50W	E6	E9
Total Lumens (lm)	250-320	300-370	450	300-370	450	440-490	565-645
Input Voltage (V)	10-15	10-15	10-15	10-15	10-15	10-15	10-15
Power Consumption (VA)	4.3	5.4	6.5	5.4	6.5	6.0	8.5
Halogen Equivalent (W)	20	35	50	35	50	35	50
LED Color	■ ■ ■			■ ■ ■		■ ■	
Beam Angle (ZZ*)	VN (10°), FL (35°), WF (60°)		FL (35°)	VN (10°), FL (35°), WF (60°)		30° (FL), WF (60°)	
CRI	84+	84+	84+	84+	84+	83+	83+
Maximum Candelas (cd)	290-1,980	450-3,260	960	450-3,260	960	210-1,075	410-1,505
Rated Life, L70 B10 (Hrs)	40,000	40,000	40,000	40,000	40,000	30,000	30,000
Control	● ■			◆ ◆		● ■	
Lamp Base	GU5.3						
International (CE)	Global						

● On/Off ■ Phase Dimmable ◆ Addressing and Zoning w/Luxor ◆ Luxor Dimming ■ 2700K ■ 3000K ■ 4000K

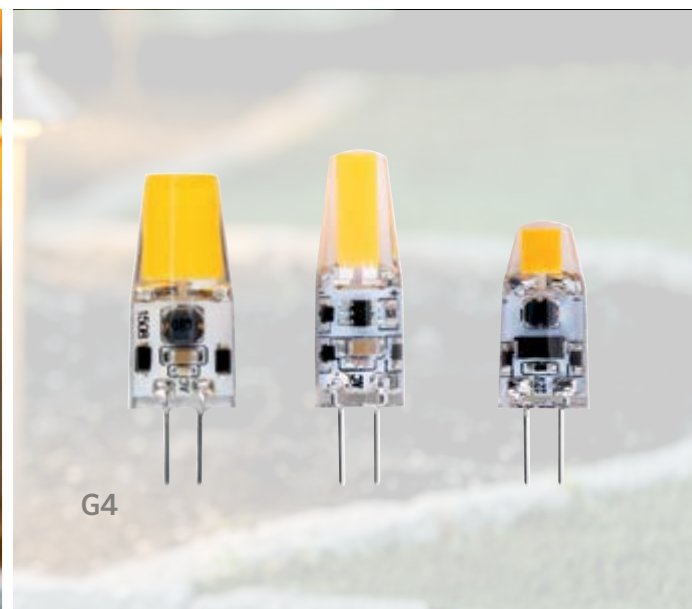




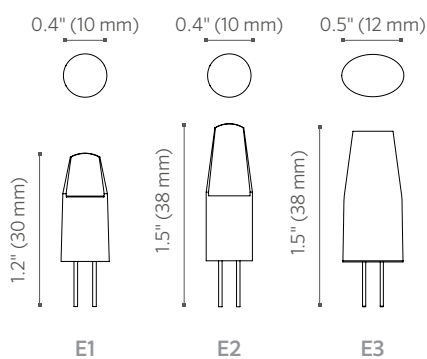
G4 LED

G4 LED Lamp

Specially engineered with a clear silicon capsule design, this economical, energy-efficient LED replacement lamp provides retrofit capabilities for lighting fixtures with a G4 lamp base.



G4



KEY FEATURES

- Compatible with any brand of low-voltage fixture that accepts a G4 base
- Three intensity and two color temperature options
- Silicone encapsulated
- Compatible with Luxor® Low-Voltage CUBE (LCM-LV)

G4 LED LAMP

	E1	E2	E3
Power			
Total Lumens (lm)	85-90	145-150	195-200
Input Voltage (V)	10-15	10-15	10-15
Power Consumption (VA)	1.0	1.3	1.7
Halogen Equivalent (W)	10	20	35
LED Color	■ ■		
CRI	82+		
Maximum Candelas (cd)	-		
Rated Life, L70 B10 (Hrs)	33,000		
Control	● ■		
Lamp Base	G4		
International (CE)	Global		

● On/Off ■ Phase Dimmable ■ 2700K ■ 3000K





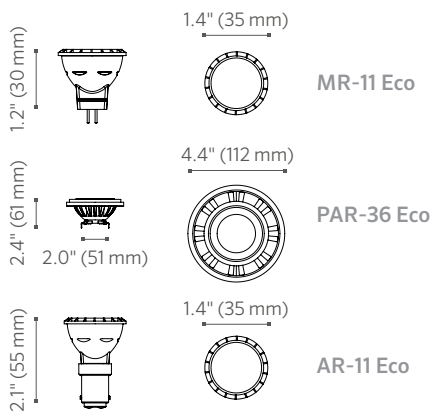
MR-11 Eco



PAR-36 Eco

MR-11 Eco, PAR-36 Eco, AR-11 Eco

The versatile MR-11 and AR-11 Eco Lamps are ideal for low-output applications while the powerful PAR-36 Eco Lamp is perfect for high-output needs.



KEY FEATURES

- Durable, lightweight aluminum housing withstands any weather condition
- Two color temperature options offer a warm (2700K) or soft (3000K) look
- Beam angle options for greater design flexibility
- Compatible with Luxor® Low-Voltage CUBE for zoning and dimming capabilities

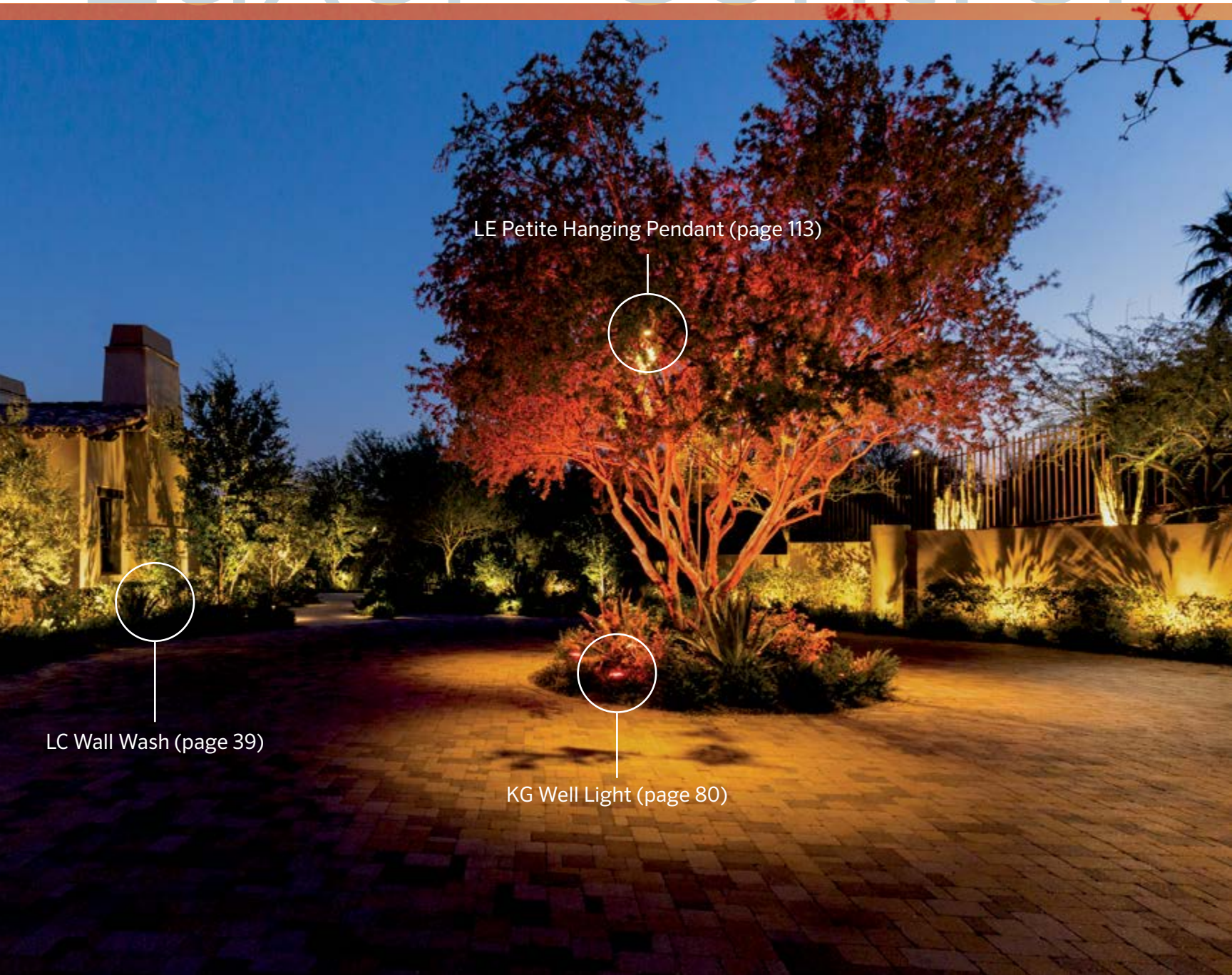
	MR-11 ECO LED LAMP	PAR-36 ECO LED LAMP	AR-11 ECO LED LAMP	
Power	E4	ECO35	ECO50	LED20
Total Lumens (lm)	265-270	670-680	850-860	-
Input Voltage (V)	10-15	10-15	10-15	10-15
Power Consumption (VA)	3.3	8.5	11.3	3.8
Halogen Equivalent (W)	20	35	50	20
LED Color	■ ■	■ ■	■ ■	■
Beam Angle (ZZ*)	FL (30°), WF (60°)	FL (35°), WF (60°)	FL (35°), WF (60°)	NF (30°)
CRI	83+	83+	83+	83+
Maximum Candelas (cd)	325-390	750-1,140	850-1,520	-
Rated Life, L70 B10 (Hrs)	30,000	50,000	50,000	30,000
Control	● ■	● ■	● ■	
Lamp Base	GU4	Screw Terminals		SCB
International (CE)	Global			

● On/Off ■ Phase Dimmable ■ 2700K ■ 3000K





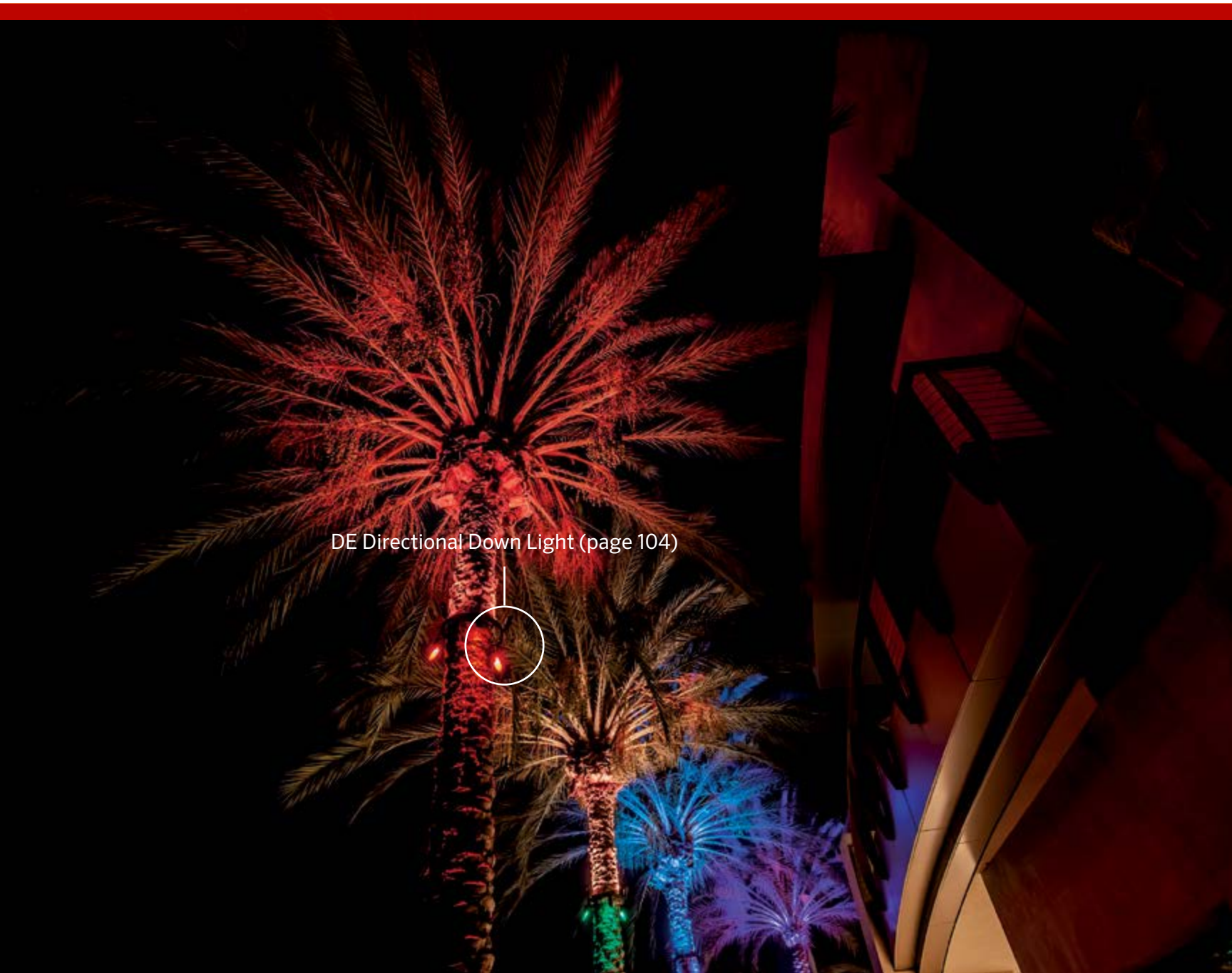
Luxor[®] Control



LE Petite Hanging Pendant (page 113)

LC Wall Wash (page 39)

KG Well Light (page 80)



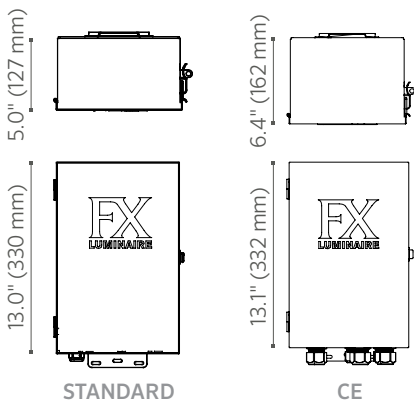
DE Directional Down Light (page 104)

Our premium lighting control option is the most advanced and flexible low-voltage landscape lighting system on the market. Featuring powerline communication for the ultimate in two-wire control, the Luxor System offers addressable fixtures, smooth dimming, and RGBW color-changing capability with a palette of more than 30,000 colors.



Luxor Controller

Our premium lighting control solution offers zoning, dimming, and RGBW color creation capabilities plus optional Wi-Fi control using Luxor® Technology.



KEY FEATURES

- Scene/theme creation: Up to 40 custom lighting themes
- Zone control: Up to 250 individual lighting groups of fixtures via the same wire path
- Astronomical timing
- Color control: Create 30,000 colors per zone

LUXOR CONTROLLER / LUXOR SATELLITE CONTROLLER

Region	North America	Europe (EU)	International (E)
Capacity (W)	300	260	260
Input Power (Primary, VAC)	120	230	230
Output Voltage (Secondary, VAC)	15	15	15
Transformer Class	2	-	2
Plug Type	B	-	-
Integrated Control	◆ ◆ ◆		
International (CE)	Specified "EU" or "E" Configurations		
Finish	SS, M		

◆ Addressing and Zoning w/Luxor ◆ Luxor Dimming ◆ RGBW Color Changing w/Luxor



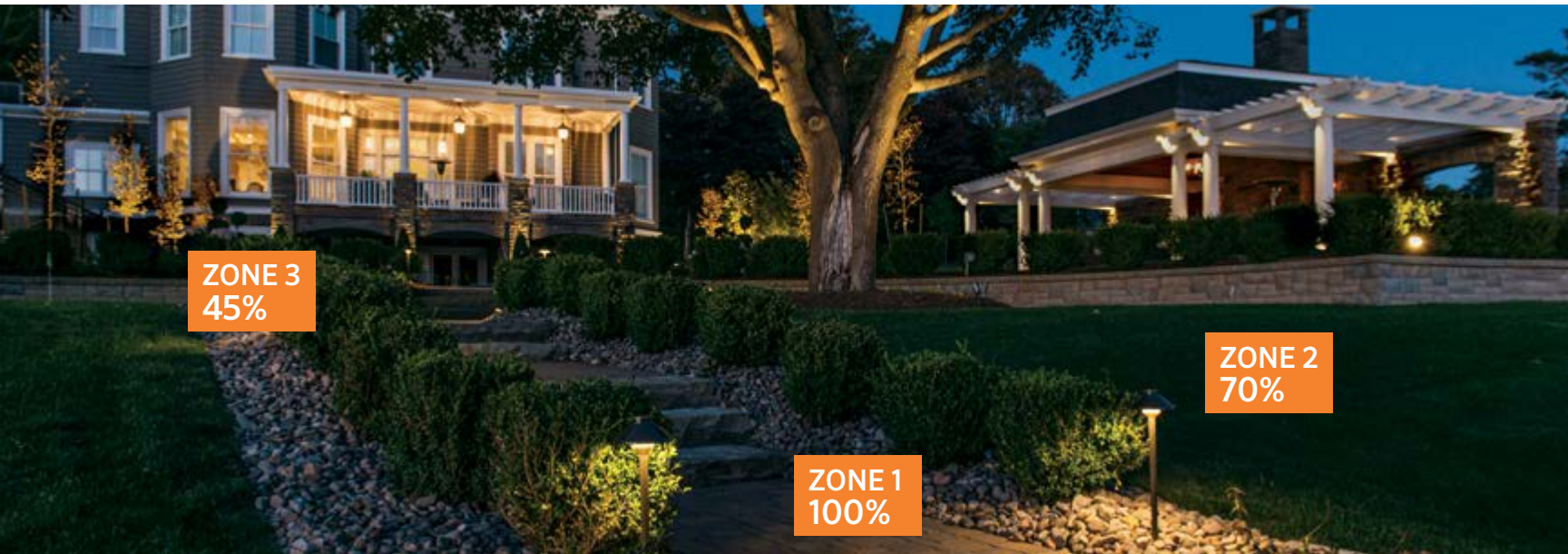


LUXOR

Luxor Technology

ZONING AND DIMMING

Use advanced Luxor Technology to program lights into preset groups and set intensities from 0% to 100%.



COLOR

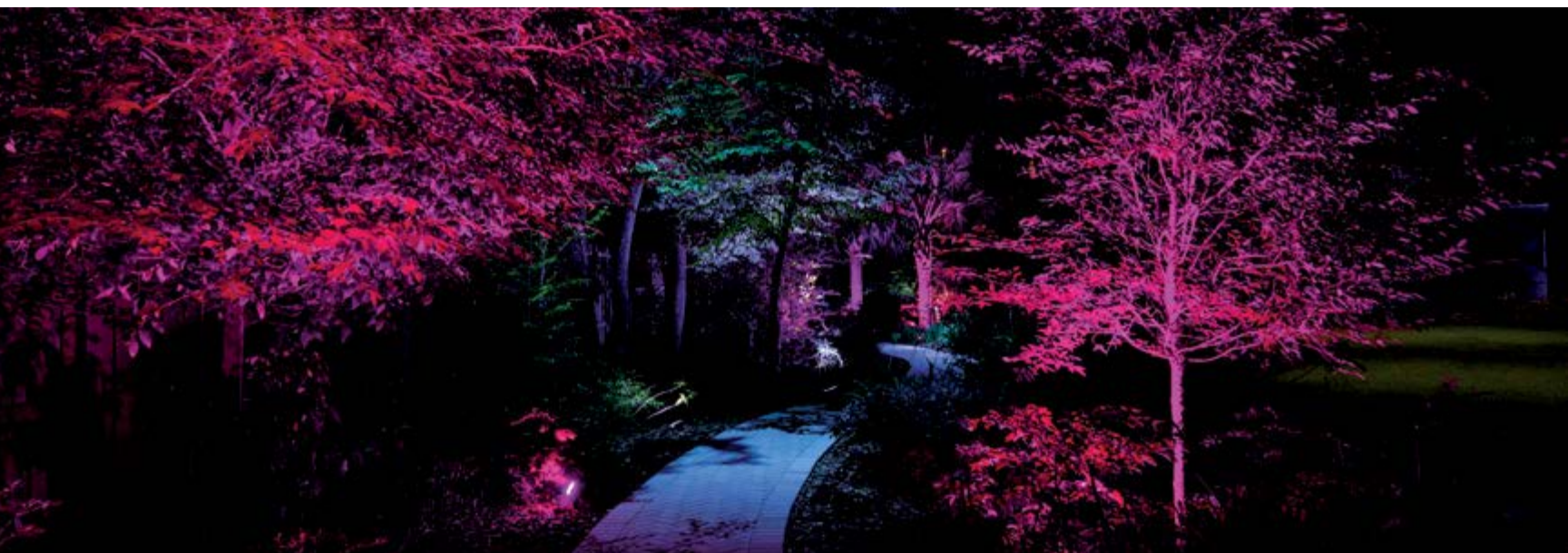
Choose from a spectrum of 30,000 vibrant possibilities.





System Features

With complete zoning, dimming, and color generation capabilities — along with optional Wi-Fi control — the Luxor System offers unsurpassed freedom and flexibility for outdoor lighting design.



PRIMARY FEATURES

- Zone control: Turn individual or groups of fixtures on and off at desired times
- Dimming control: Adjust the intensities of individual or groups of fixtures from 0% to 100%
- Color control: Choose from 30,000 vibrant colors for unlimited design possibilities
- Color palette: Generate and save up to 250 custom colors
- Astronomical timing: Set your location to automatically track sunrise and sunset times
- Scene/theme creation: Design up to 40 themes ranging from every-night living to holidays and special celebrations
- Color palette: Generate and save up to 250 custom colors
- Event-based programming: Turn custom themes or lighting fixtures on and off as desired throughout the night
- Calendar-based programming: Ensure specific programs run only when needed with dedicated date-range programming
- LAN connection: Conveniently incorporate wireless control using the preinstalled LAN Module

LUXOR ACCESSORIES

- Luxor Wi-Fi Module¹: Interact with the controller using iOS® and Android™ devices
- Light Assignment Module²: Assign fixtures wirelessly to groups while on-site
- Luxor Wireless Linking Module³: Connect a primary Luxor Controller with up to nine Luxor Satellite (LSAT) Controllers using LoRa® radio



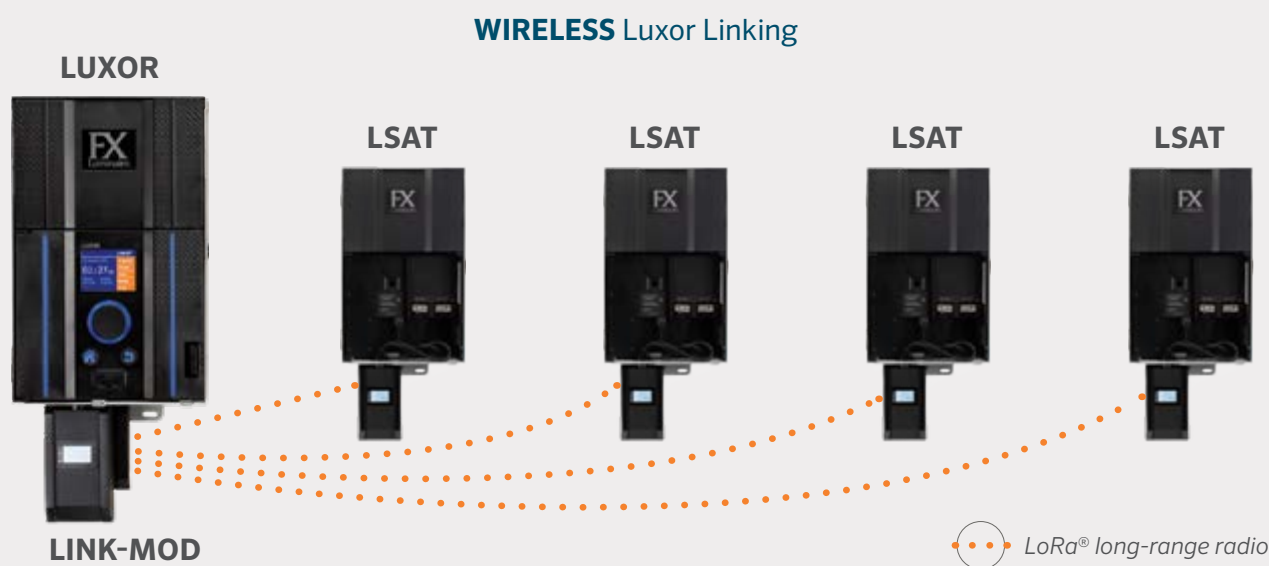
iOS is a trademark or registered trademark of Cisco in the U.S. and other countries and is used under license. Android is a trademark of Google LLC. The LoRa® Mark is a trademark of Semtech Corporation or its subsidiaries.



LUXOR

Luxor Linking

Save time and labor with secure, reliable connections — no trenching required!



LUXOR LINKING

Luxor Linking lets you connect up to nine Luxor Satellite Controllers while maintaining a single point of control. Adding Luxor Satellite Controllers improves Wi-Fi connectivity and brings simplicity to complex or large-scale lighting designs.

LUXOR LINKING COMPARISON

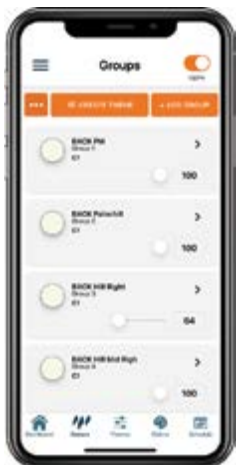
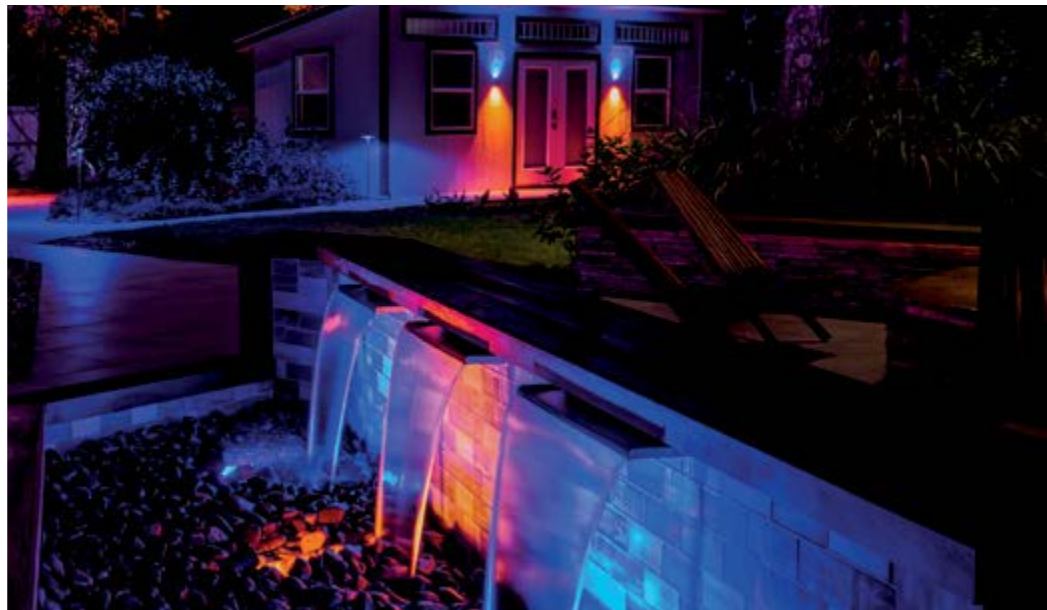
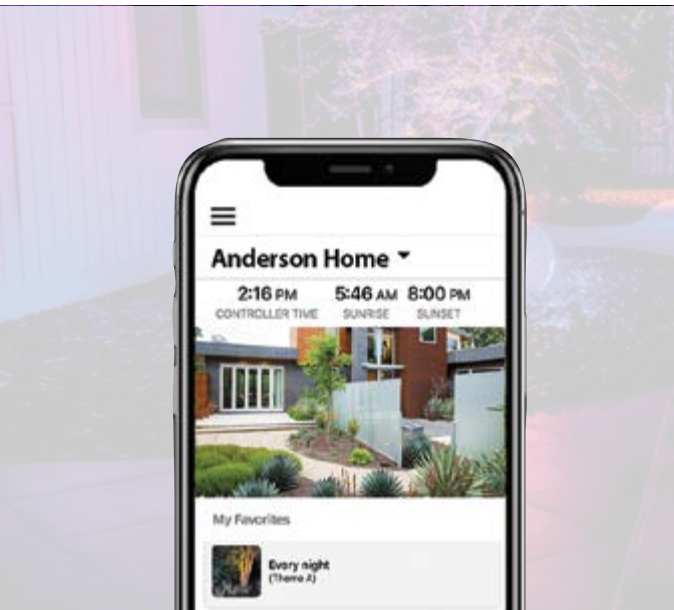
	WIRELESS LUXOR LINKING	HARDWIRED LUXOR LINKING (NOT SHOWN)
Communication	LoRa Radio (Wireless)	Network Cable (Cat 5/5e/6)
Distance	Up to 3,000' or 914 m	Up to 3,000' or 914 m (installed wire)
Number of Linked Controllers	10+	Up to 10
Installation	Mount at Controller or Remote	Direct-burial Cat5/5e/6 cable and conduit
Diagnostics	Yes (Unique IDs)	Yes (Variable)



LUXOR

Luxor App

The Luxor App provides ultimate flexibility and convenience for remote lighting management. With the app, you can adjust fixture intensity and color, create unique themes, and fine-tune your color palette for special occasions — from anywhere!



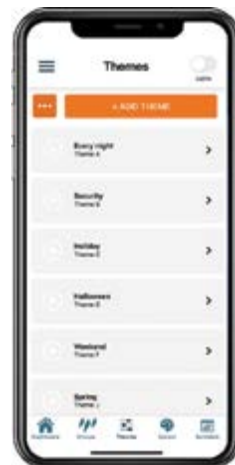
GROUPS

Adjust intensity and colors of individual groups of fixtures to fine-tune your lighting design



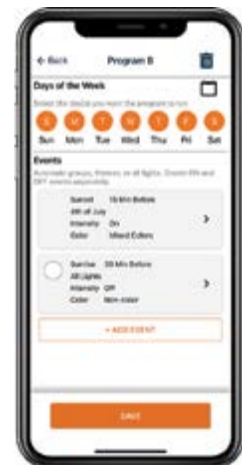
COLORS

Create up to 30,000 colors using the latest RGBW LED technology



THEMES

Design one-of-a-kind holiday displays, create team spirit for the big game, or add company colors for corporate events



SCHEDULES

Create custom lighting schedules for everyday living, holidays, and celebrations



LUXOR CUBE

Luxor CUBE

With the Luxor CUBE, the Luxor Controller can control, zone, and dim almost any brand of dimmable 12 V or 110 V light fixtures.



The Luxor CUBE allows the Luxor Controller to zone and dim other brands of low- and line-voltage lighting fixtures. In addition to controlling carriage, entry pillar, and holiday or bistro lights, the CUBE can control water pumps, automatic gates, and any device with a relay input.

LUXOR CUBE

Model	LCM-LV	LCM-HV	LCM-RLY-010V
Type	Low-Voltage	Line-Voltage	Relay/0-10V
Max Load	60 W/5 A	400 W/3.3 A	250 VAC/5 A
Supports	AC Dimmable LEDs / Incandescent	AC Lighting (Dimmable LED and Incandescent)	Relay Switch
Notes	Alternate LV Power Source Required for Incandescent Lighting	Alternate HV Power Source Required	



LUXOR
INTEGRATION

Smart Home Integration

Seamlessly integrate the next-generation capabilities of the Luxor Controller into your smart home system for one-stop management of indoor and outdoor living spaces. Luxor fully integrates with leading home automation solutions.



All trademarks are property of their respective owners.



ZDC FIXTURES

ZDC-Compatible Fixtures



XA-70, NP
See page 30, 29



XW-70 See page 40



CC, VS See page 35



FR, NR See page 33



PB See page 39



LC See page 39



TM, PL See page 54



JS See page 52



CA See page 52



DM See page 52



RW See page 65



FG See page 63



TD See page 63



LL See page 136



LP See page 135



PO, MO See page 92



SL-3, SL-5
See page 97



RH See page 95



VK See page 96



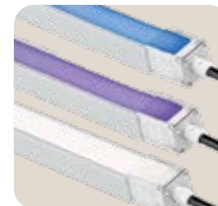
HS See page 98



SF See page 87



LF See page 71



SRP RGBW
See page 74



PM See page 57



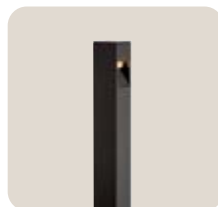
MP-40, MP-30
See page 58



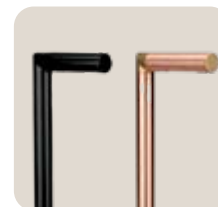
MP-J See page 60



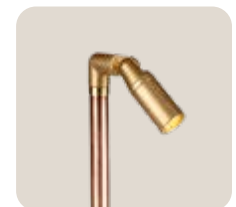
MP-K See page 59



MP-Z See page 59



RP-32, 34
See page 61, 62



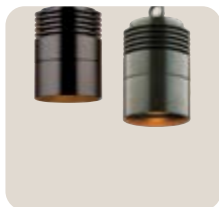
PP-36
See page 66



RC See page 124



ZC See page 120



PS See page 115



NL See page 127, 128



SD See page 129



ZW See page 130



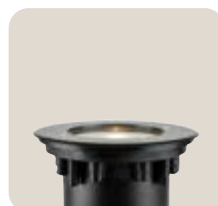
VE See page 114



KG See page 80



FC See page 81



XN-70 See page 79

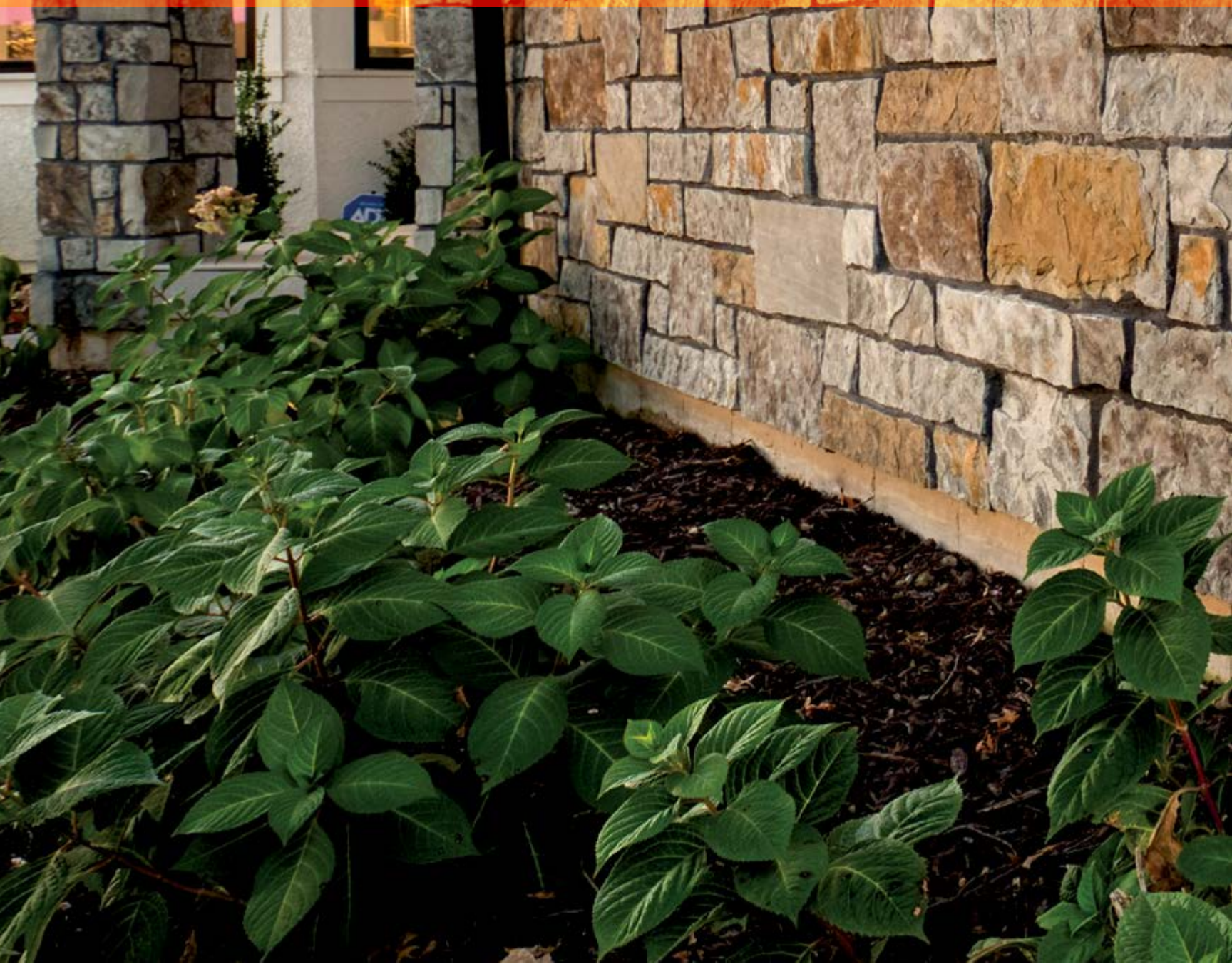


HP-48 See page 83



JB, DE See page 104

Transformers a





nd Controllers



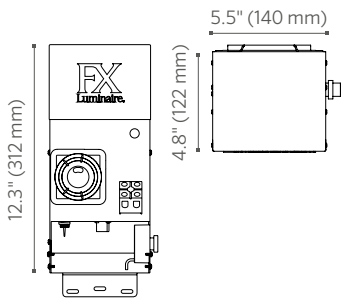
Our high-quality, low-voltage transformers are user-friendly and backed by an industry-leading, 10-year warranty. From simple on/off functionality to dynamic zoning, dimming, and color capabilities, FX Luminaire transformers bring reliable, efficient performance to any project.



EX

EX

The EX Transformer provides an economical, low-wattage power and control option for LED lighting projects.



KEY FEATURES

- 150 W model
- 15 V output tap
- Compact design
- Powder-coated steel or stainless steel finish options
- Compatible with most plug-in astronomical timers and photocells

EX TRANSFORMER

Capacity (W)	150
Input Power (Primary, VAC)	120
Output Voltage (Secondary, VAC)	15
Transformer Class	2
Plug Type	B, F, or I
Integrated Control	Photo Cell, Standard Receptacle
International (CE)	Specified "E" and "A" Configuration
Safety (UL 1838)	Yes
Pool & Spa Rated (UL 379)	Yes (EX-150-SS only)
Finish	SS, M

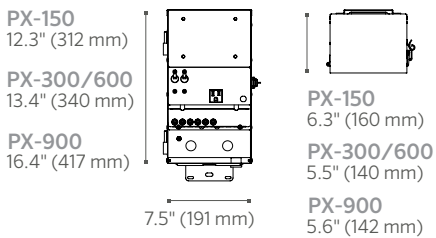




PX

PX

The commercial-grade, multi-tap PX Transformer offers optional on/off control options and multiple power capacities for maximum design flexibility.



KEY FEATURES

- Multi-tap outputs: 11 V, 12 V, 13 V, 14 V
- Stainless steel construction
- 150 W, 300 W, 600 W, and 900 W models
- UL 379 and UL 1838 ratings ensure safe lighting installations when installed outdoors and/or near pools and spas

PX TRANSFORMER

	150	300	600	900
Capacity (W)	150	300	600	900
Input Power (Primary, VAC)	120	120	120	120
Output Voltage (Secondary, VAC)	12, 15	11-15	11-15	11-15
Transformer Class	2	2	2	2
Plug Type	B	B	B	B
Integrated Control	Photo Cell, Standard Receptacle			
International (CE)	North America Only			
Safety (UL 1838)	Yes			
Pool & Spa Rated (UL 379)	Yes			
Finish	SS			

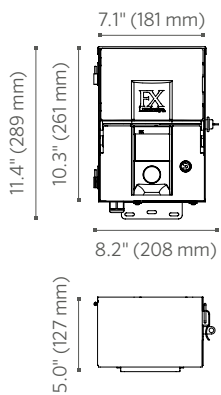




DX

DX

The low-voltage, on/off DX Controller is the only digital facepack-controlled transformer with astronomical timing and event-based programming capabilities preinstalled.



KEY FEATURES

- Digital facepack control with built-in astronomical timing
- Event-based programming with timed offsets
- 150 W and 300 W models
- 13 V, 14 V, and 15 V output taps
- Powder-coated galvanized steel and stainless steel finish options

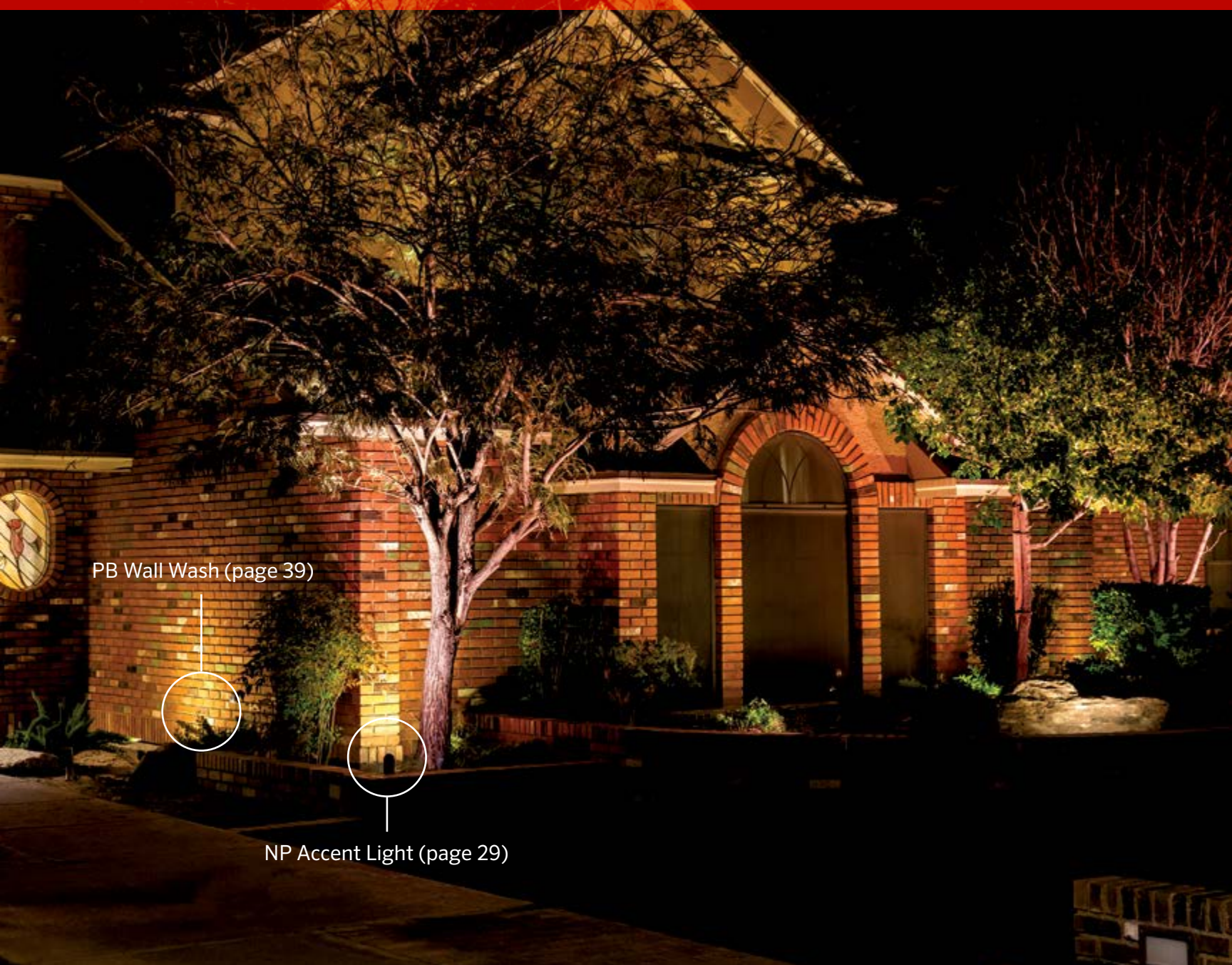
DX CONTROLLER

Capacity (W)	150, 300
Input Power (Primary, VAC)	120
Output Voltage (Secondary, VAC)	13-15
Transformer Class	2
Plug Type	Type B
Integrated Control	Astronomical Timer, 12 VAC External Input
International (CE)	North America Only
Safety (UL 1838)	Yes
Pool & Spa Rated (UL 379)	Yes
Finish	SS, M





Technical Data



PB Wall Wash (page 39)

NP Accent Light (page 29)



Starting with the right technical information helps to ensure successful outcomes. From CAD details and photometric data charts to spec sheets and finish guides, we deliver the data you need to create world-class lighting designs that shine.



FINISHES

FX Luminaire Finishes

Create the look you want from our wide array of finish colors and styles.

METAL



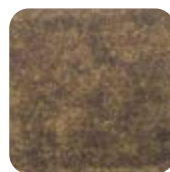
AB on copper
Antique Bronze



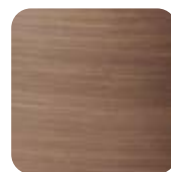
AB on brass
Antique Bronze



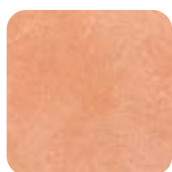
AT on copper
Antique Tumbled



AT on brass
Antique Tumbled



AB on select brass
Antique Bronze



CU
Copper



BS
Natural Brass



NP
Nickel Plate



SS
Stainless Steel

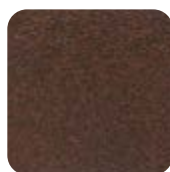
POWDER COAT: STANDARD



BZ
Bronze Metallic



FB
Black



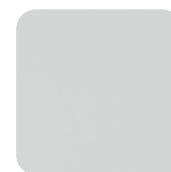
SB
Sedona Brown



DG
Desert Granite

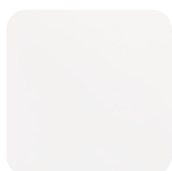


WI
Weathered Iron

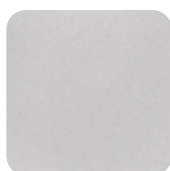


M
Matte Gray
(select transformers only)

POWDER COAT: SPECIALTY



FW
Flat White

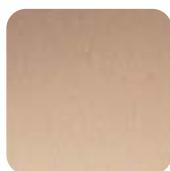


SV
Silver

COMPOSITE



CB
Camo Bronze



DT
Desert Tan



DS
Dark Slate



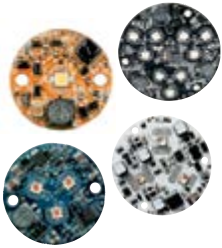
BC
Black Composite



POWERBOARD

PowerBoard® Integrated LEDs and Standard Lamps

Choosing the right lighting solution is crucial for achieving the desired effect in any landscape project. FX Luminaire offers two distinct options to cater to different needs: PowerBoard integrated LEDs and standard LED lamps.



PowerBoard Integrated LEDs

INNOVATIVE AND EFFICIENT

PowerBoard integrated LED technology offers superior performance, longevity, and efficiency.

- **Advanced, Integrated Controls:** Luxor® Technology for powerline addressing, zoning, smooth PWM dimming, and RGBW color-changing options
- **Higher Intensity Capabilities:** Built-in heat management using electronic regulation and physical heatsink designs
- **High-Quality Light Output:** Premium color rendering for consistent, high-quality illumination
- **Superior Energy Efficiency:** Leads to lower energy costs
- **Compact Design:** Sleek, modern fixture designs
- **Longer Lifespans:** Up to 72,000 hours, significantly reducing maintenance
- **Field Serviceable and Customizable:** Suited to different design needs

BENEFITS

- Integrated controls for advanced lighting effects
- High-intensity light with superior color quality
- Energy-efficient operation with lower costs
- Sleek, modern fixtures with long lifespans
- Customizable and easy to service in the field



Standard LED Lamps

RELIABLE AND VERSATILE

Proven LED technology found in MR-16, G4, and PAR-36 Lamps delivers reliability and versatility.

- **Compatibility:** Easily retrofit into existing fixtures, making upgrades simple and cost-effective
- **Variety:** Available in multiple shapes, sizes, and beam spreads to match diverse application needs
- **Affordability:** Lower initial cost compared to integrated LED fixtures
- **Flexibility:** Lamps can be easily replaced, offering flexibility in maintenance and upgrades

BENEFITS

- Simple and cost-effective upgrades with existing fixtures
- Wide range of options for various applications
- Lower initial investment
- Easy maintenance with replaceable lamps

Choosing the Right Option

- **PowerBoard Integrated LEDs:** Ideal for new installations where cutting-edge technology, energy efficiency, and modern design are priorities
- **Standard LED Lamps:** Perfect for retrofits, budget-conscious projects, or jobs where traditional lamp replacement flexibility is desired

Explore our full range of FX Luminaire products to find the perfect lighting solutions for your next project.



Photometrics

Designing the perfect landscape lighting starts with understanding photometry, the science of measuring light. This guide explains the importance of focusing on illuminance and interpreting photometric charts to create stunning and functional exterior lighting designs.

Our photometric charts help with ideal fixture spacing by illustrating light intensity at various distances. Visit the product pages at fxl.com for photometric charts specific to each fixture.

THE IMPORTANCE OF ILLUMINANCE

Illuminance measures the light falling on a surface, typically in lux or foot-candles. It's crucial for landscape lighting as it determines how well-lit an area will be. Proper illuminance ensures safety, enhances aesthetics, and highlights architectural and landscape features effectively.

Safety: Adequate lighting on pathways, steps, and entryways prevents accidents and improves visibility.

Aesthetics: Highlighting trees, sculptures, and water features creates a visually appealing environment.

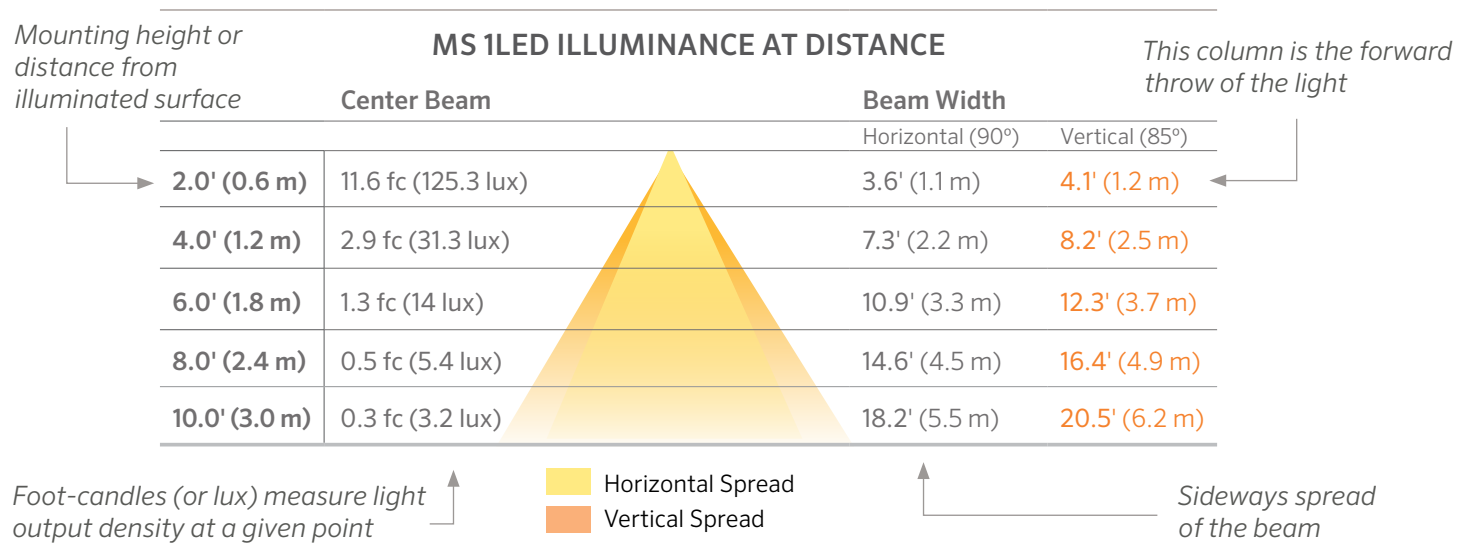
Functionality: Properly illuminated spaces enhance usability for outdoor activities and gatherings.

Using our photometric charts, you can achieve the best lighting design for any outdoor space.

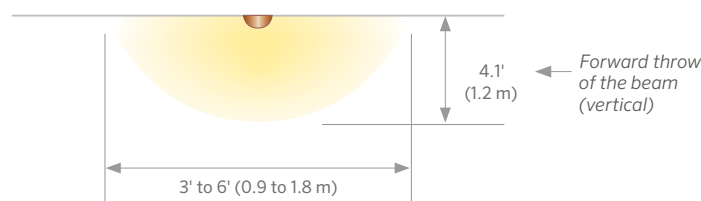
KEY PHOTOMETRIC CHARTS

Illuminance Cone Diagram

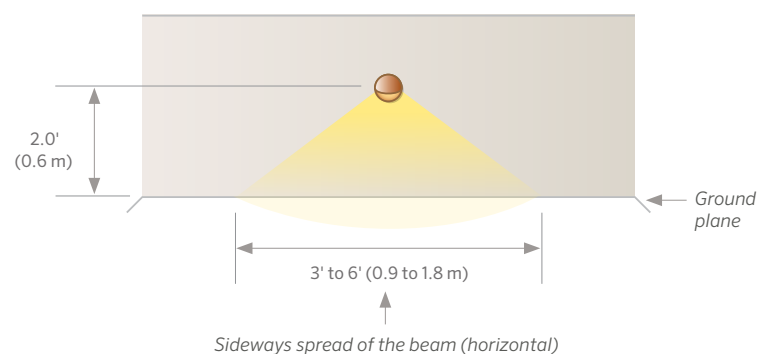
This chart illustrates how light intensity decreases as the distance from the fixture increases. It's essential for determining the placement and spacing of fixtures.



HORIZONTAL AND VERTICAL THROW OF LIGHT (TOP VIEW)



HORIZONTAL THROW OF LIGHT (FRONT VIEW)



How to Use

Closer Placement: Increases illuminance for tasks and safety

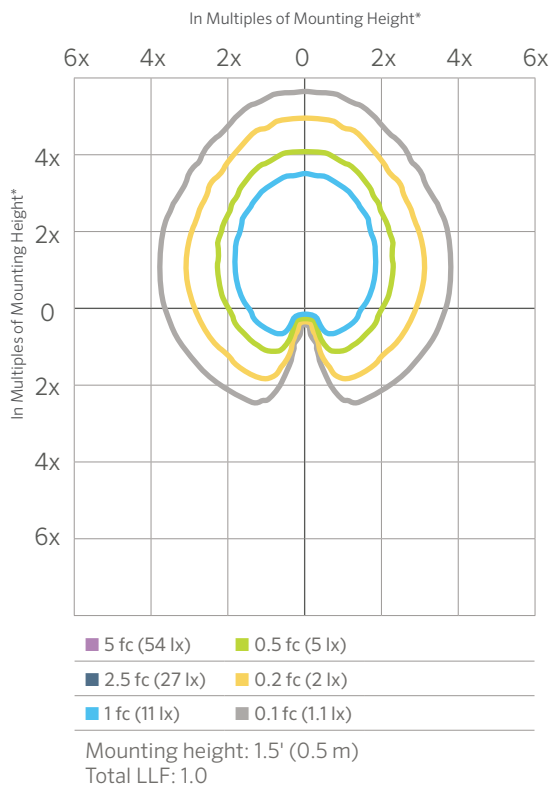
Wider Spacing: Creates ambient or accent lighting

ISO-ILLUMINANCE DIAGRAM (OR ISOFOOTCANDLE PLOT)

This contour map displays areas of equal illuminance on a surface. It's useful for visualizing uniformity and coverage of light.

EXAMPLE OF A DIRECTIONAL PATH LIGHT

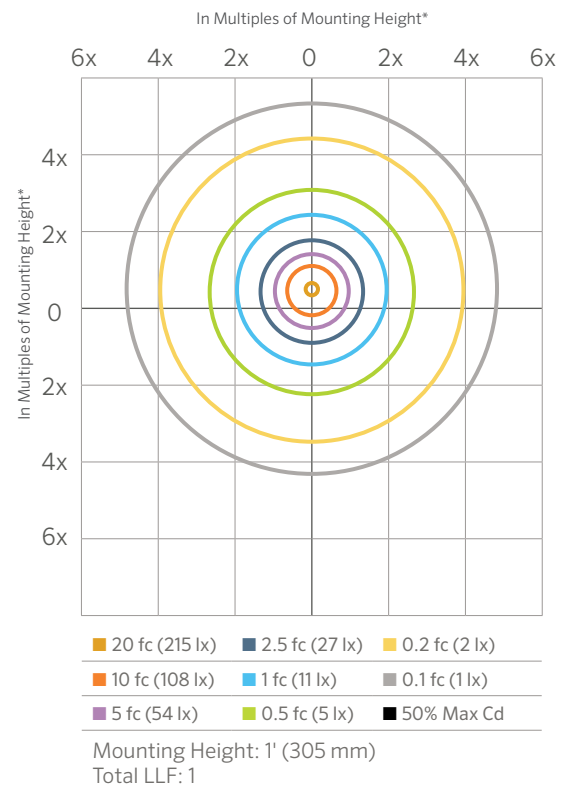
Isofootcandle Plot
RP-32 (1 LED)



*Mounting height refers to the distance between the workplane and the bottom of the fixture's aperture.

EXAMPLE OF A 360° PATH LIGHT

Isofootcandle Plot
DM (1ZDC)



*Mounting height refers to the distance between the workplane and the bottom of the fixture's aperture.

How to Use

Uniform Coverage: Ensures even lighting across an area

Targeted Lighting: Highlights specific zones with higher illuminance

DESIGNING WITH PHOTOMETRY

Start by identifying key areas needing illumination. Use photometric charts to select fixtures and determine placement. Follow these steps:

1. Map out the landscape.
2. Choose fixtures based on beam spread and intensity.
3. Use diagrams for optimal placement.
4. Install, measure, and adjust as needed.

Leverage photometry to transform outdoor spaces into beautifully illuminated environments. Explore our FX Luminaire products for precise photometric performance.



Moisture Block

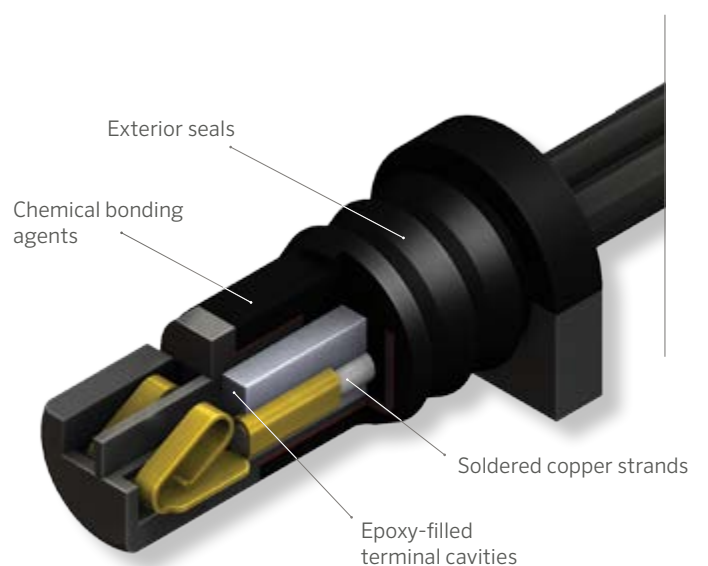


STOP WATER INGRESS IN ITS TRACKS WITH MOISTUREBLOCK™ TECHNOLOGY

Over time, lighting fixtures can experience moisture ingress through the cable entry. As the lamp heats up, air inside the fixture expands and is forced into the cable. When the lamp cools after the fixture is turned off, the air contracts and creates suction inside the fixture and the cable. This causes moisture ingress, which can lead to internal corrosion and electrical failure.

FX Luminaire fixtures have built-in, 100% watertight MoistureBlock Technology to maximize the longevity of every lighting installation.

Sockets with MoistureBlock



MoistureBlock is a trademark of DSM&T Co. Inc.



CE CERTIFIED

CE Certified Lighting Products

This chart provides special installation notes and IP ratings for select FX Luminaire lighting products. Reference the indicated pages for further information.

Category	Product	Special Requirements	IP	Page
Commercial Bollard	A-BR10	Select export (HV) SKU	65	149
Recessed Wall Light	A-HS	Approved for global use	65	147
Grande In-Grade	A-KN	Select export (HV) SKU	65/67	150
Recessed Wall Light	A-NK4, A-NK6	Select export (HV) SKU	65	148
Accent Light	A-CT4, A-CT5	Select export (HV) SKU	65/67	145
Recessed Wall Light	CP, LM, PD, UN	Install with Wall Light Connection Kit (eKITWALL)	64	99, 100
Path Light	DL, JS, CA, DM, GN	Install with Ground Mount (GM-XX)	65	52, 67
Accent Light	EA-51	Select export (E) SKU	65	26
Petite Path Light	EP-31	Select export (E) SKU	65	55
Petite Wall Wash	EW-31	Select export (E) SKU	65	46
Transformers	EX	Select export (E) SKU	--	169
In-Grade	FC, RP	Select export (E) SKU	67	81, 82
Directional Path Light	FG, TD	Install with Ground Mount (GM-XX)	64	63
Accent Light	FR, NR	Install with Ground Mount (GM-XX)	65	33
In-Grade	HP-48	Select export (E) SKU	68	83
Recessed Wall Light	HS	Select export (E) SKU	66	98
Directional Down Light	JB, DE	Select export (E) SKU or install with TreeBox® (TB-XX)	65	104
Well Light	KG, TE	Select export (E) SKU	65/67	80
Hanging Pendant	LE, VE	Select export (E) SKU	64	113, 114
Ledge Light	LF	Select export (E) SKU	65	71
Underwater Light	LL	Select export (E) SKU	68	136
Accent Light	LO, LR, CC, VS	Install with Ground Mount (GM-XX)	65	32, 34, 35
Underwater Light	LP	Select export (E) SKU	67	135
Controller	Luxor	Select export (EU) SKU	54	159
Path Light	MP-J, MP-K, MP-Z	Select export (E) SKU	66	59, 60
Directional Down Light	MD	Select export (E) SKU	65	108
Recessed Wall Light	MO, PO	Install with Wall Light Connection Kit (eKITWALL)	65	92

Category	Product	Special Requirements	IP	Page
Path Light	MP-30	Select export (E) SKU	67	58
Path Light	MP-40	Select export (E) SKU	65	58
Surface-Mounted Wall Light	MS	Select export (E) SKU	65	88
Accent Light	MU	Select export (E) SKU	65	28
Wall Sconce	NL	Select export (E) SKU	64/66/67	127, 128
Accent Light	NP	Select export (E) SKU or install with export spike (eKITSPIKE)	65	29
Wall Wash	PB, LC	Select export (E) SKU or install with Ground Mount (GM-XX)	65	39
Path Light	PL, TM	Install with Ground Mount (GM-XX)	65	54
Mini Bollard	PM	Select export (E) SKU	65	57
Surface-Mounted Down Light	PS	Select export (WP-RD-PS-E-XX)	64	119
Wall Wash	QB, RW	Install with Ground Mount (GM-XX)	65	42, 48
Wall Sconce	QL	Select export (E) SKU	66/67	131
Directional Down Light	QT	Install with TreeBox (TB-XX)	64	103
Accent Light	QZ, FB	Select export (E) SKU or install with Ground Mount (GM-XX)	65	27, 29
Path Light	RP-32, RP-34	Select export (E) SKU	67	61, 62
Accent Light	RS	Install with Ground Mount (GM-XX)	65	25
Surface-Mounted Wall Light	SF	Select export (E) SKU	66	87
Path Light	SP-A, DL-A, CA-A, DM-A	Install with Ground Mount (GM-XX)	65	53
Path Light	SP, SC, PF, HC	Install with Ground Mount (GM-XX)	65	51
Strip Light	SRP, SRP RGBW	Approved for global use	--	73, 74
Vertical Recessed Wall Light	VK	Select export (E) SKU	65	96
Grande Accent Light	XA-70	Select export (E) SKU	--	30
Grande In-Grade	XN-70	Approved for global use	--	79
Grande Wall Wash	XW-70	Select export (E) SKU	--	40



Tools and Service



Lighting Design Services



es



FX Luminaire offers all the resources you need to create exceptional lighting designs, ensure flawless installations, maximize energy savings, and more. Visit [FXL.com](https://www.fxlighting.com) to learn about our exclusive tools and services.



WITH MY DESIGN, YOU CAN LIGHT UP THE NIGHT LIKE NEVER BEFORE

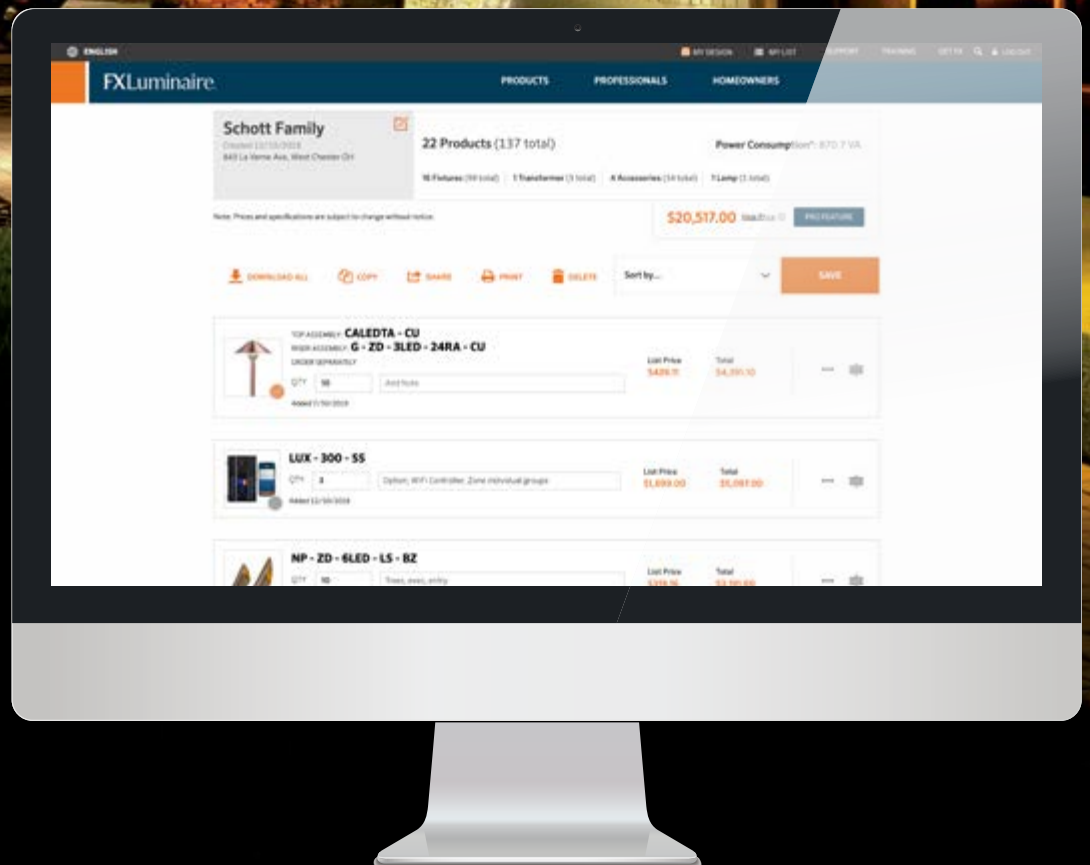
My Design speeds up the design process by combining the power of My List with actual images of your project site. My Design is free and easy to use. Enable Night Mode to wow clients with an engaging nighttime lighting experience. Best of all, your project information is stored in the cloud, so you can access it anytime from your home, office, or on the go.



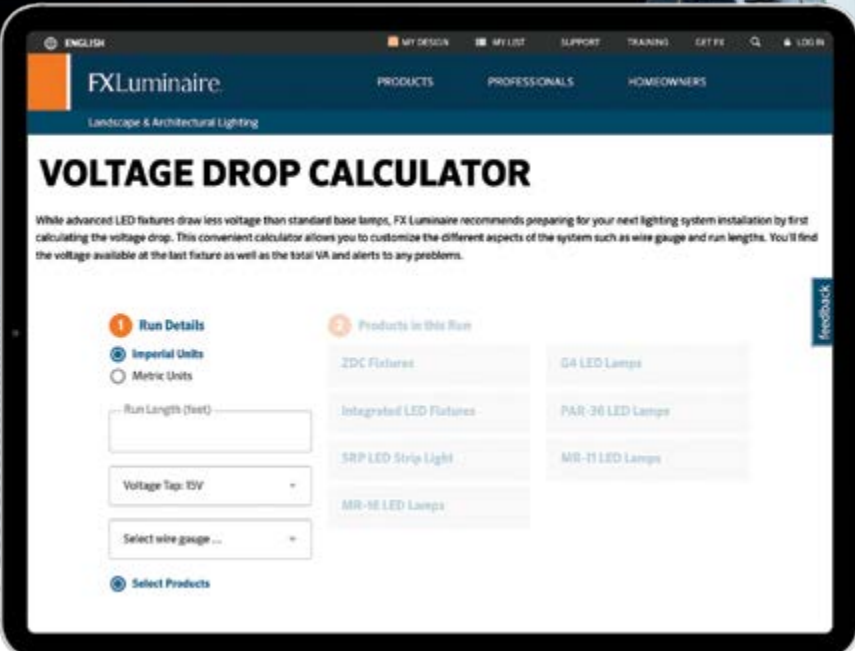
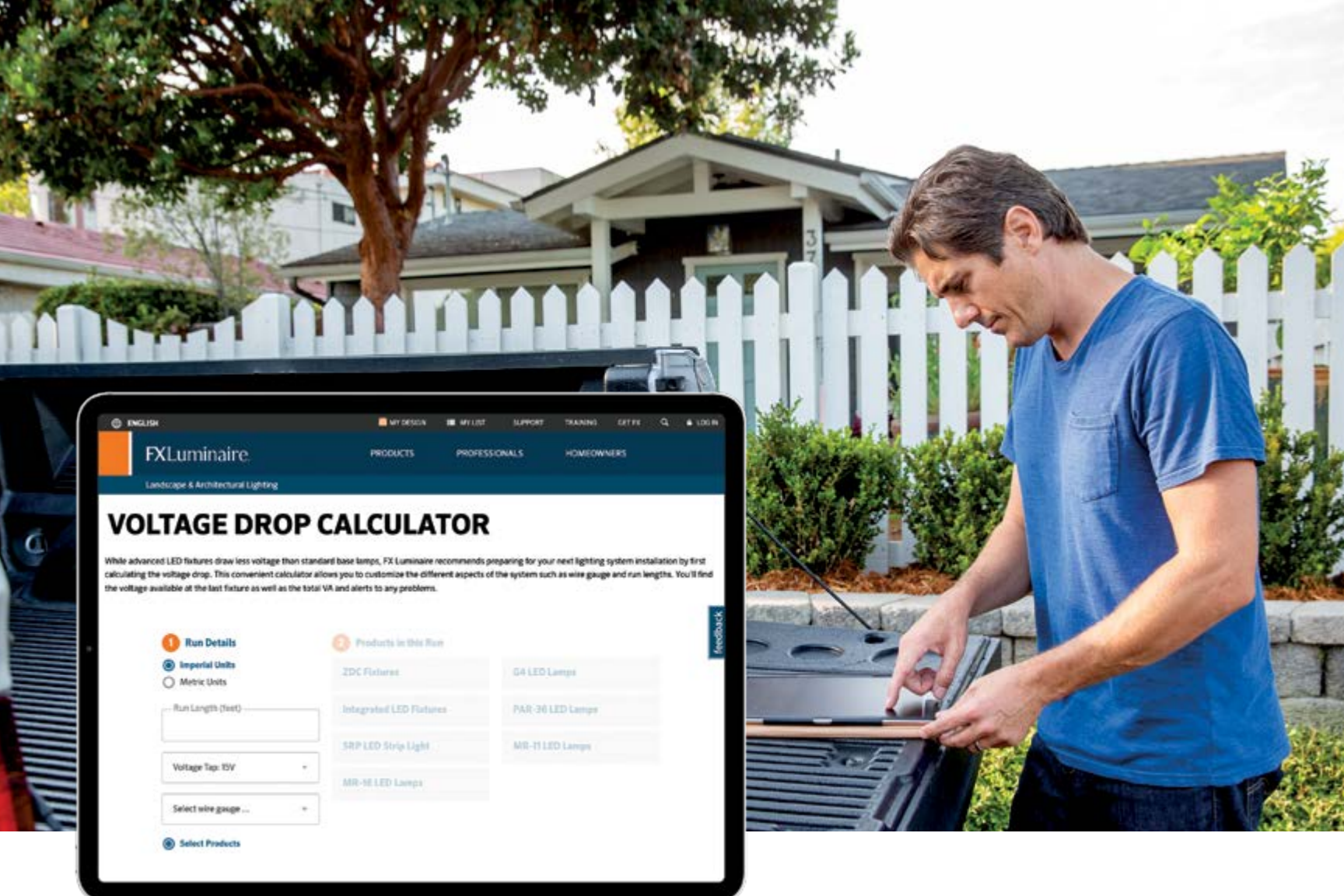
MY DESIGN

MANAGE YOUR PROJECTS WITH EASE USING MY LIST

Build customized product lists for each lighting job. Then email them to distributors for faster ordering and add cut sheets, list pricing, and notes to each project for professional estimates every time.



MY LIST



ENSURE OPTIMAL LIGHTING PERFORMANCE WITH THE VOLTAGE DROP CALCULATOR

Our Voltage Drop Calculator will help you determine the voltage drop that occurs in electrical circuits when power is transmitted to lighting fixtures over a distance. Use this free, convenient tool to customize the different aspects of your lighting system, from wire gauge to run lengths. You'll also find the available voltage for each fixture as well as the total VA.

With the Voltage Drop Calculator, you can ensure that the voltage supplied to your fixtures is sufficient for optimal operation and brightness. Try our calculator today.



Fast and Easy
Simple and Accurate



No Guesswork
Everything You Need



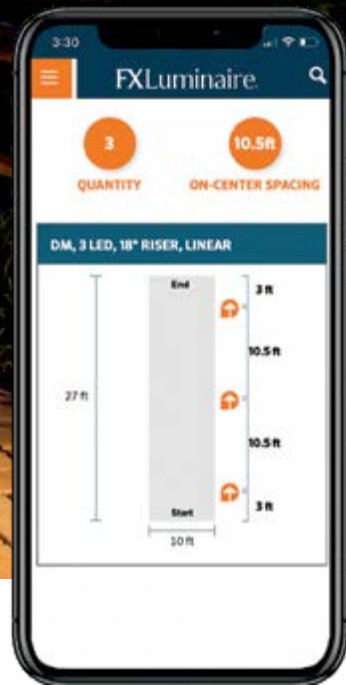
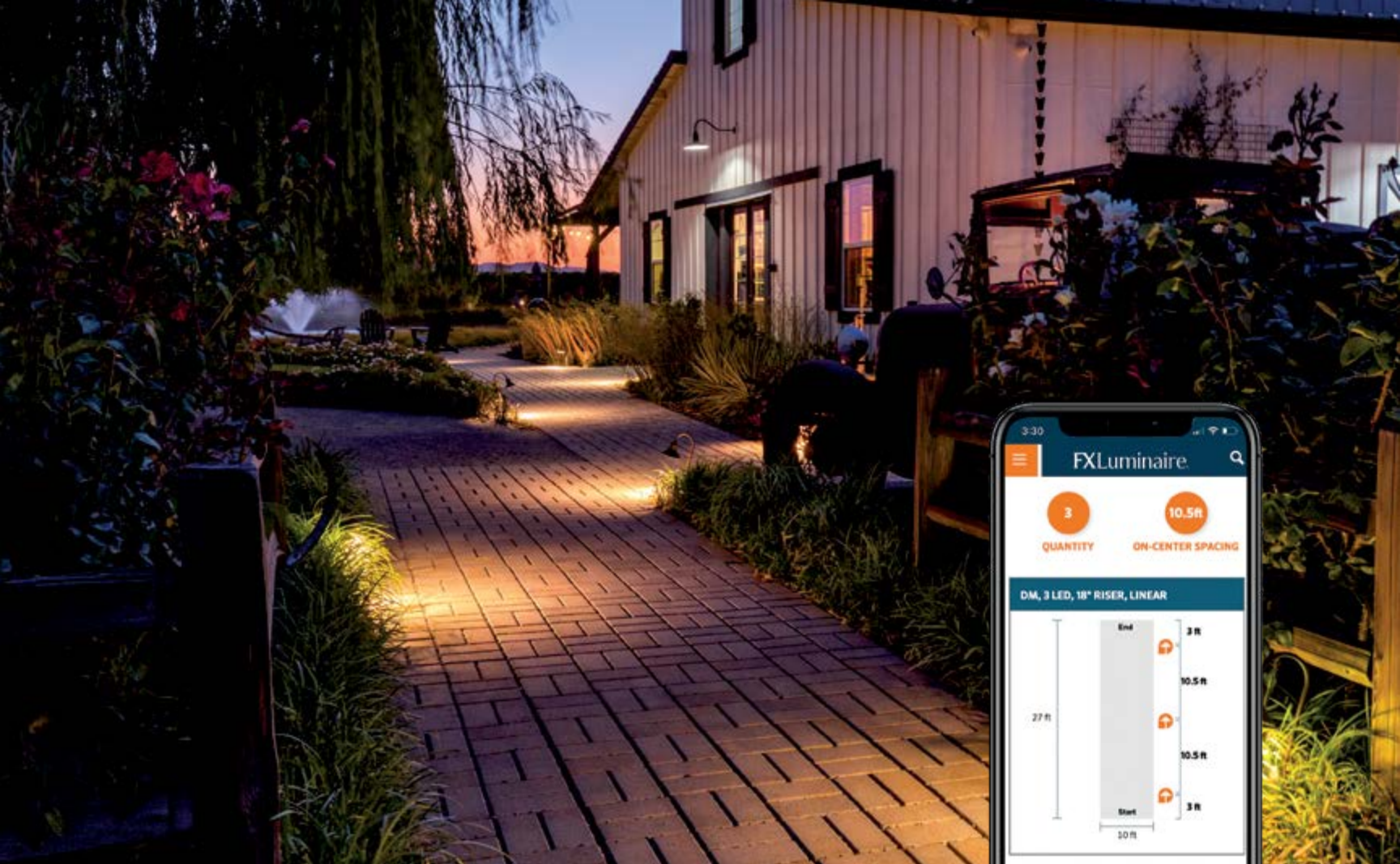
Access from Anywhere
Job or Office



Device-Friendly
App, Mobile, or Desktop



VOLTAGE DROP CALCULATOR



SIMPLIFY YOUR DESIGN PROCESS WITH THE NEW PATH LIGHT SPACING CALCULATOR

Eliminate the guesswork of installing path lights by quickly calculating ideal fixture quantity and spacing. The Path Light Spacing Calculator reduces time, labor, and project costs by automatically converting verified photometric data into clear visuals for users of any experience level.

This handy tool is free, easy to use, and mobile-friendly, so lighting professionals can access it from anywhere. Use the calculator to make design choices quickly and confidently, so you can deliver professional results every time.

USING THE PATH LIGHT SPACING CALCULATOR IS EASY



Choose
Fixture



Choose
Dimension



Choose
Layout

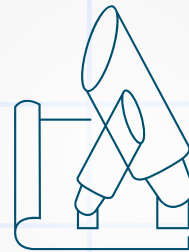


Choose
Uniformity



SPACING CALCULATOR

YOU DREAM IT. WE DESIGN IT.



LIGHTING
DESIGN
SERVICE

SCALE: 1" = 10'

LIGHTING SCHEDULE

QTY	DETAIL

VC1 - Voltage Drop Calculator
CABLE RUN S7-A - LONGEST CABLE DISTANCE

Home Run Cable	Transformer	LED Options	Legend
Feet 138	Gauge 10	VA 11	Transformer
Transformer Load	ZDC (MAM)	7.2	Fixture

VC2 - Voltage Drop Calculator
CABLE RUN S7-B - LONGEST CABLE DISTANCE

Home Run Cable	Transformer	LED Options	Legend
Feet 11	Gauge 10	VA 11	Transformer
Transformer Load	ZDC (MAM)	7.2	Fixture

TRANSFORMER KEY:

T1-A 120 VA
T1-B 15V

TRANSFORMER KEY:

T1 240 VA — ACTUAL LOAD (VOLT AMPS)
T1 300W — TRANSFORMER CAPACITY (WATTS)
T1 — TRANSFORMER #

FIXTURE GROUPING KEY:

T1 — TRANSFORMER #
1 — LUXOR GROUP #

LED WATTAGE / VOLT AMPS CHART:

- 1 LED = 2.0 WATTS / 2.4 VOLT-AMPERE
- 2 LED = 3.5 WATTS / 3.8 VOLT-AMPERE
- 3 LED = 4.0 WATTS / 4.4 VOLT-AMPERE
- 6 LED = 7.7 WATTS / 8.3 VOLT-AMPERE
- 9 LED = 10.0 WATTS / 10.7 VOLT-AMPERE
- ZDCS = 3.6 WATTS / 4.3 VOLT-AMPERE
- ZDCM = 6.0 WATTS / 7.2 VOLT-AMPERE
- ZDCL = 11.1 WATTS / 12.2 VOLT-AMPERE
- G4 LED35W = 1.2 WATTS / 1.7 VOLT-AMPERE
- MR16-LED20W = 4.0 WATTS / 4.3 VOLT-AMPERE
- MR16-LED35W = 5.0 WATTS / 5.4 VOLT-AMPERE
- MR16-LED50W = 6.0 WATTS / 6.5 VOLT-AMPERE

SPECIFICATION KEY:

MODEL: [INP] - ZD/ZDC OPTION: [3] LED TYPE: [LED] ACCESSORIES/OPTIONS: [LS] FINISH: [BZ]

DISREGARD CONDUIT HERE IF THESE WIRES CAN BE RUN INSIDE PLANTER AREAS

LIGHTING CUTSHEETS: SEE SHEET LLP.2 FOR LIGHTING CUTSHEETS AND MATERIALS

Lighting design not your strength? Good thing it's ours! The FX Luminaire Lighting Design Service delivers project proposals, renderings, material lists, CAD designs, and more — for free. For projects big and small, our experts are here to help grow your business by bringing your design dreams to the drawing board.



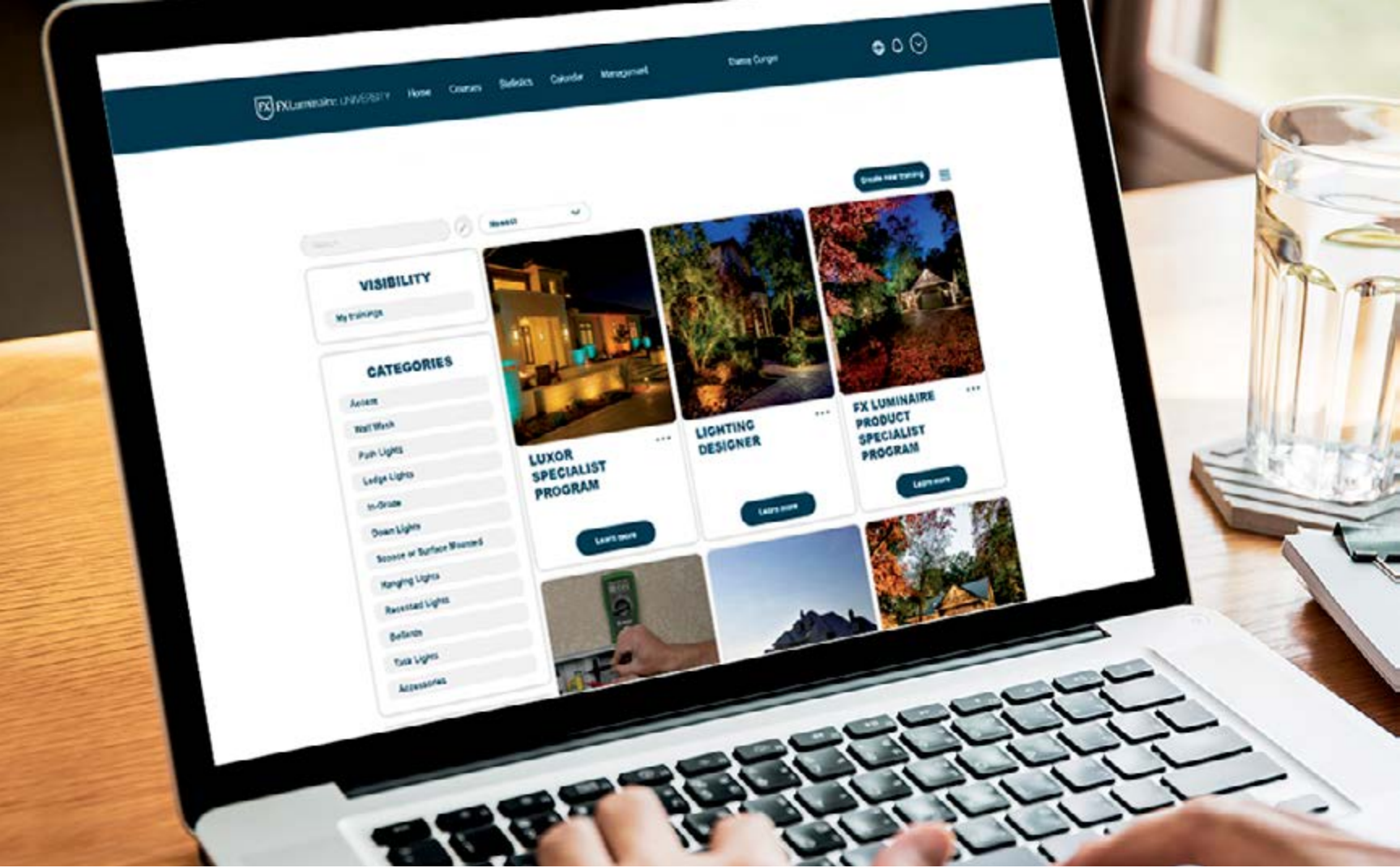
DESIGN SERVICE

LIGHTING DESIGN GUIDE

LEARN TO DESIGN LIKE A PRO



DESIGN GUIDE



FX Luminaire UNIVERSITY

Sharpen your skills with comprehensive online training certificate programs for lighting professionals. From general product knowledge to advanced control systems and design techniques, there's a program waiting for you.



FX LUMINAIRE PRODUCT SPECIALIST PROGRAM



This program is designed for those who are new to landscape lighting or who want to incorporate lighting into their irrigation business. You'll gain fundamental knowledge of how lighting works and learn the components of a landscape lighting system.

Available in English.



FX LUMINAIRE LIGHTING DESIGNER PROGRAM



Learn techniques and best practices for transforming any outdoor living space into a dreamscape. This program guides you through the art and science of lighting, installation techniques, and product selection.

Available in English. Coming soon in Spanish, French, and German.



TRAINING



MARKETING SUPPORT

We're dedicated to helping you grow and maintain your business. Build your own branded marketing materials at fxl.com/professionals.

CUSTOMIZABLE PRINT MARKETING

- ▶ Door Hangers
- ▶ Yard Signs
- ▶ Truck Magnets
- ▶ Postcards
- ▶ Path Light Product Guide
- ▶ Why FX Brochure
- ▶ Homeowner Brochure



MARKETING MATERIALS





DEMO KIT INCLUDES

With our Luxor Demo Kit, you can create an immersive, at-home experience for customers that showcases the unmatched quality of our lighting products.

- Luxor Controller
- Metal transformer base
- Four 40' (12 m) rolls of studded 12/2 (2 mm) wire (P/N 250011790001) with wire nuts
- Four ZDC NP Accent Lights
- Two ZDC LC Wall Washes
- Two ZDC RW Directional Path Lights
- Wireless Light Assignment Module (LAM)
- Luxor Wi-Fi Module (WIFIMOD2)
- One 10' (3 m) RJ-11 communication cable
- Eight stability flanges (PDK-BZ)
- Alligator clips prewired on all fixtures
- Storage and transportation case with rubber-coated wheels, pullout handle, and foam cutouts



*All fixtures are powder-coated in orange or orange/black two-tone configuration.

Order code:

FXPRO-025 North American Luxor Demo Kit

FXPRO-026 International Luxor Demo Kit

FXPRO-027 North American Standard Series Demo Kit



DEMO KIT

Landscape & Architectural Lighting
FXLuminaire.

Landscape & Architectural Lighting

FXLuminaire.

Landscape & Architectural Lighting

Landscape & Architectural Lighting
FXLuminaire.

Landscape & Architectural Lighting
FXLuminaire.

Landscape & Architectural Lighting
FXLuminaire.

Landscape & Architectural Lighting
FXLuminaire.

Landscape & Architectural Lighting
FXLuminaire.

Landscape & Architectural Lighting
FXLuminaire.

1943 BUILDING
1943 DIAMOND STREET
SAN MARCOS, CALIFORNIA 92078

LANDSCAPE LIGHTING PLAN



LANDSCAPE LIGHTING DESIGN SERVICE
FXLuminaire

Accessories and



Tree Ring (page 197)



Parts

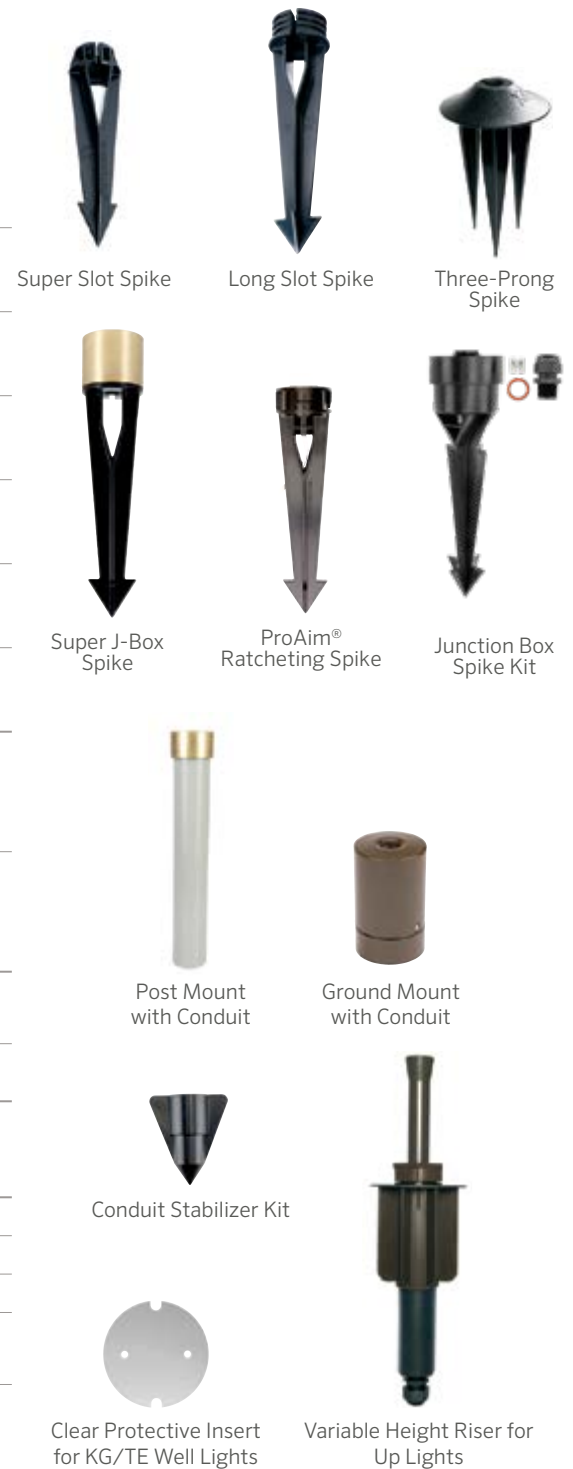


Ensure long-term project success with our comprehensive array of accessories and replacement parts. From extension risers, spikes, and lenses to mounting kits, surge protectors, and adapters, we've got exactly what you need to install and maintain your lighting designs for years to come.

Ground Mounts

IN-GROUND MOUNTS

CATEGORY	PART NUMBER	DESCRIPTION
Ground Stakes	753900	Super Slot Spike
	250015840000	Long Slot Spike
	250020020000	Three-Prong Spike
	PARS	ProAim® Ratcheting Spike
	EKIT-SPIKE	Junction Box Spike Kit
	SJ-XX	Super J-Box Spike, Powder-Coated
Conduit Mounts	PM-XX	Post Mount with Conduit, Brass
	GM-XX	Ground Mount with Conduit, Powder-Coated
Conduit Stake	CS-KT-MPL	Conduit Stabilizer Kit for MP-L, MP-K, and MP-Z Path Lights
	CS-KIT-MPJ	Conduit Stabilizer Kit for MP-J
Adjustable Riser	VHR-UL-XX	Variable Height Riser for Up Lights; Extends 0" to 7" (0 mm to 178 mm)
In-Grades and Well Lights	LGNF	Light Guard, No Fixture
	WL-XX-NF	Well Light Kit
	LNMNT-XX	Line Mount
	KG-CPI	Clear Protective Insert for KG/TE Well Lights



ON-GROUND MOUNTS

CATEGORY	PART NUMBER	DESCRIPTION
Deck Mounts	PDM-XX	Deck Mount for PM Mini Bollard
	MP30-DM-XX	Deck Mount for MP-30 and MP-31 Path Lights
	RP32-DM-XX	Deck Mount for RP-32 and RP-33 Path Lights
	RP34-DM-XX	Deck Mount for RP-34 and RP-35 Path Lights
	MPJ-DM-XX	Deck Mount for MP-J Path Light
	MPL-DM-XX	Deck Mount for MP-40 and MP-K Path Lights
	MPZ-DM-XX	Deck Mount for MP-Z Path Light



"XX" denotes powder-coated finish

Wall and Ceiling Mounts

SURFACE MOUNTS

CATEGORY	PART NUMBER	DESCRIPTION
VersaBox® Mount	VB-050-XX	VersaBox Mount for ½" Thread, Brass
	VB-TS-XX	VersaBox Mount for TS Down Light, Brass
Mini J-Box	MJB-050-XX	Mini J-Box for ½" Thread
Treebox® Mount	TB-XX	TreeBox Mount with ½" Thread
Mini Mount	MM-050-XX	Mini Mount
	MM-050-C-AB	Mini Mount for Cora™ Collection
Knuckle	WM-XX	Wall Mount Knuckle
	BM-050-XX	Bracket Mount Kit for FB, NP, JB, DE, PB, and LC Fixtures
	250030410000SP	Lock Ring
	250031010000SP	Critter Plug
Wall Plates	WP-1G-050-XX	Wall Plate, Single-Gang, ½" Thread
	WP-1G-QL-XX	Wall Plate, Single-Gang, QL Wall Sconce
	WP-RD-050-XX	Wall Plate, Round, ½" Thread
	WP-2G-NL-XX	Wall Plate, Double-Gang, NL Wall Sconce
	WP-RD-PS-XX	Wall Plate, Round, PS Down Light
Gutter Mount	GM-SS	Gutter Mounting Bracket, ½" Thread
Demo Stand	PDK-XX	Demo Plate, Bronze



VersaBox Mount



Mini J-Box



TreeBox Mount



Mini Mount



Wall Mount Knuckle



Lock Ring



Critter Plug



Bracket Mount Kit



Wall Plates



Gutter Mounting Bracket

RECESSED MOUNTS

PART NUMBER	DESCRIPTION
PO-BRKT	Mounting Bracket for PO Wall Light
MO-BRKT	Mounting Bracket for MO Wall Light
EKIT-WALL	Wall Light Connection Kit
CANR4RICAT	4" (102 mm) Housing for RC Down Light, Qty 6

"XX" denotes powder-coated finish



Mounting Bracket



Wall Light Connection Kit



4" (102 mm) Housing for RC Recessed Down Light

Risers and Couplings

ALUMINUM

CATEGORY	PART NUMBER	DESCRIPTION
Straight Riser	YY-R-XX	Aluminum Straight Riser with 0.8" (12 mm) OD and ½"-14 Male NPSM x 2 Threads
Couplings	COUP-XX	Straight Coupling, ½"-14 (13 mm)
	ELBW-050-XX	90° Elbow Fitting, ½"-14 (13 mm)
	TMNT-050-XX	T-Mount Fitting, ½"-14 (13 mm)
Sign Light Riser	YY-R-SL-XX	Angled Sign Light Riser with 0.8" (12 mm) OD, 45° Bend, and ½"-14 NPSM x 2 Threads



Aluminum Straight Riser



Straight Coupling, 90° Elbow Fitting, T-Mount Fitting



Sign Light Riser with WP-RD Wall Plate

PREMIUM COPPER

Straight Riser	YY-R-GT-XX	1.2" (30 mm) OD and ½"-14 Male and Female NPSM Threads
----------------	------------	--

SELECT BRASS

Straight Riser	RSR-S-125-YY-R-MF-B-XX	1.25" (32 mm) OD and ½"-14 Male and Female NPSM Threads
----------------	------------------------	---



GT Straight Riser

TREE RING ACCESSORIES

GROUPING	PART NUMBER	DESCRIPTION
Tree Ring	TR-ZZ-8P-XX	Adjustable, Drill-Free, Non-Penetrating Tree Ring, Accommodates Up to Six Luminaires
Junction Boxes	TR-JB-LL-XX	Tree Ring, Junction Box, LL Style
	TR-JB-T-XX	Tree Ring, Junction Box, T Style



Tree Ring



Tree Ring Junction Box, LL Style



Tree Ring Junction Box, T Style

LENS ACCESSORIES

CATEGORY	PART NUMBER	DESCRIPTION
Frosted Lenses	250015170000	Frosted Lens for MR-16 Lamps
	250010480000	Frosted Lens for MR-11 Lamps
Solite Lenses	250015240000	Solite Spread Lens for MR-16 Lamps
	250015420000	Solite Spread Lens for MR-11 Lamps
Linear Spread	250013550000	Linear Spread Lens for MR-16 Lamps
Hex Baffle	250015260000	Hex Baffle for MR-16 Lamps
	250015250000	Hex Baffle for MR-11 Lamps
RecessorRing®	RR-MR16	Spacer for MR-16 Lamps
Dichroic Filters	250015180000	Dichroic Color Filter for MR-16 Lamps (Light Green)
	250015190000	Dichroic Color Filter for MR-16 Lamps (Light Blue)
	250015230000	Dichroic Color Filter for MR-16 Lamps (Peach)
	250015200000	Dichroic Color Filter for MR-16 Lamps (Blue)
	250015210000	Dichroic Color Filter for MR-16 Lamps (Green)
	250015220000	Dichroic Color Filter for MR-16 Lamps (Red)
	250010140000	Dichroic Color Filter for MR-11 Lamps (Peach)
250010160000	Dichroic Color Filter for MR-11 Lamps (Blue)	



Hex Baffle



Color Filter

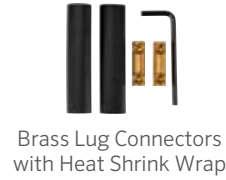


RecessorRing® Spacer

"XX" denotes powder-coated finish

Wire Connections

PART NUMBER	DESCRIPTION
WCHS-BS-2	Brass Lug Connectors with Heat Shrink Wrap (2-Pack)
WCHS-BS-50	Brass Lug Connectors with Heat Shrink Wrap (50 Bulk)
WCHS-SM-20	Heat Shrink Wire Connectors, Small (20-Pack)
WCHS-MD-20	Heat Shrink Wire Connectors, Medium (20-Pack)
WCHS-TOOL	Ratcheting Crimper Tool



Power Accessories

DIMMER AND ACCESSORIES

PART NUMBER	DESCRIPTION
DIM-LV	Low-Voltage Dimmer, 12 V IN 12 V OUT
DIM-LV-BOX	Exterior, Surface-Mounted Junction Box



MINI TRANSFORMERS

PART NUMBER	DESCRIPTION
MT-6W	Mini Plug-In Transformer, 6 W
MT-30W	Mini Plug-In Transformer, 30 W
ST-UV	Step-Down Transformer, 110-277 V to 12 V (30 W)
ST-HV	Step-Down Transformer, 110-240 V to 12 V (16 W)
ST-120-DIM	Step-Down Transformer, Phase Dimmable (120 V to 12 V)



TRANSFORMER ACCESSORIES

PART NUMBER	DESCRIPTION
PX-SYNC	24 VAC Relay for Irrigation Controllers
PX-TIMER	Mechanical Timer for EX or PX Transformers
PX-PC	PX Photocell
EX-PC	EX Photocell
EX-PC-E	International EX Photocell
LX-9VBATT	9 V Battery Adapter for Remote Programming
SURGE-MOD	Surge Protection Module for LED Lighting Fixtures



LUXOR ACCESSORIES

PART NUMBER	DESCRIPTION
WIFI-MOD-2	Wi-Fi Module (2nd Generation)
WIFI-MOD-2-RMT	Remote Wi-Fi Module (2nd Generation)
LINK-MOD	Luxor Wireless Linking Module
LINK-MOD-E	International Luxor Wireless Linking Module
LAM	Light Assignment Module for iOS and Android
LUX-FP	Luxor Replacement Facepack (2nd Generation)
752605	LED Programming Adapter



Wall Washes

Directional Down Lights

Path Lights

In-Grades

Wall Washes				Directional Down Lights							Path Lights							In-Grades		
PB, LC	XW-70	CW-31, CW-51	RW	QT	JB, DE	MD	EP-31	SP-A	DL-A, CA-A, DM-A	PL, TM	DR, DS	AL	CA, DL, DM, GN, JS	DP, PF, SC, SP, HC	CP-L4, CP-L7	FG, TD	CN-51	FC, RP	XN-70	
•		•	•				•	•												
•	•	•	•				•	•	•	•	•	•	•	•	•	•				
•	•	•	•				•	•	•	•	•	•	•	•	•	•				
•	•	•	•				•	•	•	•	•	•	•	•	•	•				
•	•	•	•				•	•	•	•	•	•	•	•	•	•				
•	•	•	•				•	•	•	•	•	•	•	•	•	•				
•		•	•	•	•	•	•					•				•				
•	•	•					•	•	•	•	•	•				•				
•	•	•	•	•	•	•	•	•	•	•	•	•								
•	•	•	•	•	•	•	•	•	•	•	•	•								
•		•	•	•	•	•	•						•	•	•	•				
•	•		•				•	•	•	•	•	•	•	•	•	•				
	•		•	•	•	•														
•	•	•																		
•	•	•	•	•	•	•														
•	•	•	•	•	•	•														
•	•	•	•	•	•	•														
	•		•	•	•	•	•	•	•	•	•	•	•	•						
•	•	•																		
•	•	•	•	•	•	•														
•	•	•	•	•	•	•														
				•																
					•	•											•	•		
						•											•	•	•	
				•																
					•	•											•	•	•	
				•															•	
					•	•											•	•	•	
					•	•											•	•	•	
					•	•											•	•	•	





Statement of Warranty

Hunter Industries Incorporated (“Hunter”) warrants FX Luminaire (“FXL”) Transformers and Controllers to be free of defects in materials or workmanship under normal use for a period of ten (10) years from the original date of installation. Hunter warrants FXL Low-Voltage Lighting Fixtures to be free of defects in materials or workmanship under normal use for a period of three (3) years from the original date of installation. Hunter extends the warranty on FXL Fixtures to ten (10) years from the original date of installation when both FXL Fixtures and Transformers or Controllers are installed on the same project exclusive of any other manufacturer’s low-voltage, exterior lighting products. The Evo™ Collection products do not receive the extension to ten (10) years and are warranted for a maximum of three (3) years from the original date of installation. LED Lamps (e.g., MR-16, MR-16 ZD, G4), Luxor Accessories (e.g., CUBE Devices, Wi-Fi Modules, Linking Modules, Surge Arresters), SRP Strip Lights with accessories and controller, and Line-Voltage fixtures (i.e., Apex Collection) are warranted for five (5) years. The Eco LED Lamps (e.g., MR-16, MR-11, PAR-36) are warranted for three (3) years. If a defect in an FXL Product is discovered during the applicable warranty period, Hunter will repair or replace the product or the defective part at its discretion. This warranty does not extend to repairs, adjustments, or replacement of an FXL Product or part that results from misuse, negligence, alteration, modification, tampering, or improper installation and/or maintenance of the product. Hunter’s warranty does not cover component failures caused by lightning strikes, electrical power surges, or unconditioned power supplies. If replacement products are repurchased, the price to the Distributor for such products will be the one in effect at the time of return. This warranty extends only to the original installer of the FXL Product. Hunter’s warranty does not cover or include the freight and/or shipping costs for any returns or replacements.

HUNTER’S OBLIGATION TO REPAIR OR REPLACE ITS FXL PRODUCTS AS SET FORTH ABOVE IS THE SOLE AND EXCLUSIVE WARRANTY SET FORTH BY HUNTER. THERE ARE NO OTHER WARRANTIES, EXPRESSED OR IMPLIED, INCLUDING WARRANTIES OF MERCHANTABILITY AND FITNESS FOR A PARTICULAR PURPOSE. HUNTER WILL NOT BE LIABLE TO DISTRIBUTOR OR ANY OTHER PARTY IN STRICT LIABILITY, TORT, CONTRACT, OR ANY OTHER MANNER FOR DAMAGES CAUSED OR CLAIMED TO BE CAUSED AS A RESULT OF ANY DESIGN OR DEFECT IN HUNTER’S FXL PRODUCTS, OR FOR ANY SPECIAL, INCIDENTAL, CONSEQUENTIAL, OR EXEMPLARY DAMAGES OF ANY NATURE, INCLUDING WITHOUT LIMITATION LOST BUSINESS OR PROFITS. NOTWITHSTANDING THE FOREGOING, IF FOR ANY REASON HUNTER IS FOUND TO BE LIABLE, IN NO EVENT SHALL HUNTER’S LIABILITY EXCEED THE PRICE OF THE FXL PRODUCT, WHICH GIVES RISE TO THE CLAIM, LOSS, OR DAMAGE.

If you have questions concerning the warranty or its application, please write to:

Customer Service Department
FX Luminaire
1940 Diamond Street
San Marcos, CA 92078 USA

New Product Return Policy

Once FXL Products are shipped from Hunter, it is Hunter's standard policy not to accept returns of new Product(s) except under special circumstances. The Distributor, at its expense, may return FXL Product(s) that are new and unused to Hunter only after receiving written approval and a Return Goods Authorization (RMA) number from Hunter Customer Service. All returned Product is subject to a minimum restocking fee of 25% of the suggested list price at which the product was originally purchased.

Product must be returned within six (6) months of order date. All Product returned must be in its original packaging, be undamaged and unused, and never energized. Hunter expressly reserves the right to disallow the return of used, improperly installed, old, obsolete, shop-worn, stale, out-of-warranty, or special-order Product(s). Product(s) not meeting these criteria will be returned to the original sender. Unless otherwise separately agreed with an authorized agent of Hunter, Hunter shall not be responsible for any freight or shipping costs of returns.

If the return request authorization is given and the Product(s) meets all the requirements listed above, returns shall be credited to Distributor's account for the returned new and unused Product(s), less the restocking fee. If the returned Product(s) is not received by Hunter within 14 days of the RMA approval, Hunter reserves the right to return the Product(s) back to the original sender at the sender's expense and without credit for the Product(s).

Hunter Industries is not responsible for Product(s) loss or damage during return transit to the authorized Hunter location. Some products, configurations of products, or options are not returnable and will not be authorized or accepted, no matter the timeline or condition. This includes (but is not limited to): Line-Voltage Fixtures (i.e., Apex Collection), special order products, uncommon configurations, and the following finishes: Almond (AL), Black Wrinkle (BF), Flat White (FW), Nickel Plate (NP), Silver (SV), Verde Speckle (VF), White Gloss (WG), and White Wrinkle (WF).

If you have questions concerning the warranty or its application, please write to:

Customer Service Department
FX Luminaire
1940 Diamond Street
San Marcos, CA 92078 USA

FXLuminaire.

Our mission is to create the most energy-efficient lighting products in the world while maintaining the highest level of quality and reliability. In every instance we will back our innovations with the unwavering support our customers need to succeed.



Gregory R. Hunter, CEO of Hunter Industries



Denise Mullikin, President, Landscape Irrigation and Outdoor Lighting

Website fxl.com | Customer Support +1-760-744-5240 | Technical Service +1-760-591-7383

USA HEADQUARTERS

1940 Diamond Street
San Marcos, CA 92078 USA
T: +1-760-744-5240
E: support@fxl.com

MEXICO MANUFACTURING

ISO 9001:2015 Certified
Calle Nordika #8615
Colonia la Joya
Parque Industrial Nordika
Tijuana, B.C., Mexico CP 22640
T: +011-52-664-903-1382
E: infolatam@hunterindustries.com

EUROPE

Avenida Diagonal 523, 5o-2a
Edificio Atalaya
08029 Barcelona, Spain
T: +34-9-34-94-88-81
E: infoeurope@hunterindustries.com

AUSTRALIA

50 Lynch Street
Hawthorn, VIC 3122, Australia
T: +61-3-9562-9918 (outside Australia)
T: +1-800-438-486
(+1-800-GET-HUNTER) (in Australia)


MIDDLE EAST

P.O. Box 2370
Amman, 11941, Jordan
T: +962-6-5152882
F: +962-6-5152992
E: info.me@hunterindustries.com

CHINA

B1618, Huibin Plaza
No. 8, Beichen Dong Street
Beijing 100101, China
T/F: +86-10-84975146
E: infochina@hunterindustries.com

This brochure was printed on Forest Stewardship Council® (FSC) certified paper with soy inks. The FSC is an international organization established to promote the responsible management of the world's forests.

© 2025 Hunter Industries Inc. FX Luminaire, the FX Luminaire logo, and other marks are trademarks of Hunter Industries Inc., registered in the U.S. and certain other countries.  Please recycle.

